

COPELAND COMPRESSORS



EMERSON™ Climate Technologies

Copeland Corporation was established in 1921 in Detroit City, Michigan State USA. For more than 80 years it has been endeavouring to bring cutting-edge products to create a healthy environment & safeguard food.

A Brief Timeline of Achievements:

- first household refrigerator in the world in 1921.
- first semi-hermetic compressor in the world in 1941.
- first semi-hermetic compressor with butterfly valve in the world in 1979.
- first scroll compressor with dual compliance in 1987.
- first digital scroll compressor in the world in 1996.
- first commercial large horse power scroll compressor in the world in 2001.
- first electronic-display scroll compressor-condensing unit in the world in 2002.
- first digital scroll heating in the world in 2004.

Today, Emerson Climate Technologies continues to lead the global industry of refrigeration & air conditioning compressors with annual sales of over 2 billion dollars, technical service network spanning 120 countries and the largest R&D centre in the world.

The introduction of the scroll compressor in 1987 has revolutionised the refrigeration industry. The scroll compressor has several unique advantages:
high energy efficiency ratio - high reliability - low noise level & running cost.

This revolutionary technology is being successfully used around the world with the number of scroll compressors manufactured by Emerson Climate Technologies exceeding the 40-million mark.

Scroll compressors have been successfully used in the air conditioning industry & the future of refrigeration belongs to the scroll compressor.



Copeland®
brand products



COPELAND COMPRESSORS

R404A Reciprocating Compressors

Capacities R404A

Airefrig Part Number		Refrigeration Capacity - <u>Watts</u>						Consumption – <u>Power</u>	Current – <u>Amps</u>				Kgs	
		Condensing Temperature °C							Displ cm ³ /r	Motor				
		Evaporating Temperature °C								HP	Type	*Amps		LRA
-30	-25	-20	-15	-10	-5	0								
CS10K6EPFJ55R CS10K6EPFJ595 - Rotalock Valve Kit - CSR Electrics & Box - Crankcase Heater - Oil Sight Glass - POE Oil	W				1720	2300	2950	3700	38.1	1.30	CSR	MCC 14.2 RLA 10.1	55.0	31
	P	45.0			1130	1280	1400	1516						
	A				6.2	6.7	7.2	7.7						
	W				1395	1915	2500	3150						
	P	50.0			1110	1280	1430	1563						
	A				6.1	6.7	7.4	7.9						
CS10K6EPFJ58R - Suction Rotalock - Disch. Stub Tube - CSR Electrics & Box - Crankcase Heater - Oil Sight Glass - POE Oil	W				1080	1545	2055	2622	44.4	1.80	CSR	MCC 15.2 RLA 10.9	55.0	31
	P	45.0			1250	1440	1590	1690						
	A				6.3	7.1	7.8	8.3						
	W				1650	2270	2950	3617						
	P	50.0			1230	1450	1630	1763						
	A				6.3	7.2	8.0	8.7						
CS12K6EPFJ55R - Rotalock Valve Kit - CSR Electrics & Box - Crankcase Heater - Oil Sight Glass - POE Oil	W				1980	2675	3400	4150	48.6	2.00	CSR	MCC 14.5 RLA 10.4	58.0	32
	P	45.0			1250	1440	1590	1690						
	A				6.3	7.1	7.8	8.3						
	W				1315	1865	2455	3038						
	P	55.0			1200	1440	1650	1817						
	A				6.1	7.1	8.1	8.9						
CS14K6EPFJ595 - Rotalock Valve Kit - CSR Electrics & Box - Crankcase Heater - Oil Sight Glass - POE Oil	W				924	1360	1930	2590	61.4	2.50	CSR	MCC 19.1 RLA 13.6	64.0	32
	P	45.0			912	1110	1320	1530						
	A				5.5	6.4	7.5	8.5						
	W				870	1305	1815	2385						
	P	50.0			870	1080	1300	1530						
	A				5.3	6.3	7.3	8.5						
CS14K6EPFJ525 CS14K6EPFJ545 - Stub Tubes - CSR Electrics & Box - Crankcase Heater - POE Oil	W				870	1305	1815	2385	61.4	2.50	CSR	MCC 19.1 RLA 13.6	64.0	32
	P	45.0			885	1080	1280	1480						
	A				2.2	2.6	3.0	3.5						
	W				758	1115	1620	2205						
	P	50.0			844	1050	1260	1480						
	A				2.1	2.5	3.0	3.4						
CS14K6ETFD55R CS14K6ETFD595 - Rotalock Valve Kit - Crankcase Heater - Oil Sight Glass - POE Oil	W				870	1305	1815	2385	61.4	2.50	CSR	MCC 19.1 RLA 13.6	64.0	32
	P	45.0			885	1080	1280	1480						
	A				2.2	2.6	3.0	3.5						
	W				1074	1580	2295	3150						
	P	50.0			1110	1360	1620	1890						
	A				6.1	6.9	8.0	9.1						
CS18K6EPFJ595 - Rotalock Valve Kit - CSR Electrics & Box - Crankcase Heater - Oil Sight Glass - POE Oil	W				880	1295	1895	2655	61.4	2.50	CSR	MCC 19.1 RLA 13.6	64.0	32
	P	45.0			1060	1310	1590	1880						
	A				6.1	6.9	7.9	9.1						
	W				1055	1530	2165	2950						
	P	55.0			1250	1550	1860	2170						
	A				6.7	7.7	9.0	10.4						
CS18K6EPFJ235 CS18K6EPFJ525 - Stub Tubes - CSR Electrics & Box - Crankcase Heater - POE Oil	W				1055	1530	2165	2950	61.4	2.50	CSR	MCC 19.1 RLA 13.6	64.0	32
	P	45.0			1110	1360	1620	1890						
	A				6.1	6.9	8.0	9.1						
	W				1060	1310	1590	1880						
	P	50.0			1060	1310	1590	1880						
	A				6.1	6.9	7.9	9.1						
CS18K6EPFJ235 CS18K6EPFJ525 - Stub Tubes - CSR Electrics & Box - Crankcase Heater - POE Oil	W				1055	1530	2165	2950	61.4	2.50	CSR	MCC 19.1 RLA 13.6	64.0	32
	P	45.0			1110	1360	1620	1890						
	A				6.1	6.9	8.0	9.1						
	W				1055	1530	2165	2950						
	P	55.0			1250	1550	1860	2170						
	A				6.7	7.7	9.0	10.4						

Rating Conditions: 4.4 Deg Return Gas, no Sub-Cooling, 35 Deg Ambient / Supplied with: Internal Motor Protection, Rubber Mounting Kit
*Amps : MCC = maximum continuous current, RLA = MCC ÷ 1.4 (Copeland advises use RLA for contactor selection)

COPELAND COMPRESSORS

R404A Reciprocating Compressors

Capacities R404A

Airefrig Part Number		Refrigeration Capacity - Watts								Consumption - Power		Current - Amps				Kgs
			Condensing Temperature °C								Displ cm³/r	Motor				
			Evaporating Temperature °C									HP	Type	*Amps	LRA	
			-30	-25	-20	-15	-10	-5	0							
CS18K6ETFD55R CS18K6ETFD595 - Rotalock Valve Kit - Crankcase Heater - Oil Sight Glass - POE Oil	W	45.0	1074	1580	2295	3150	4200	5350	6517	61.4	2.50	3Ph	MCC 6.6 RLA 4.7	33.0	32	
	P		1040	1270	1530	1790	2040	2240	2390							
	A		2.8	3.3	3.8	4.4	4.9	5.3	5.6							
	W	50.0	880	1295	1895	2655	3550	4600	5683							
	P		993	1230	1500	1780	2050	2290	2473							
	A		2.7	3.2	3.8	4.4	4.9	5.5	5.8							
	W	55.0		1055	1530	2165	2950	3850	4850							
	P		1180	1460	1760	2060	2320	2537								
	A		3.1	3.7	4.3	4.9	5.5	6.0								
CS20K6EPFZ545 - Stub Tubes - CSR Electrics & Box - Crankcase Heater - POE Oil	W	45.0	1217	1790	2575	3450	4550	5950	7617	74.3	3.00	CSR	MCC 21.5 RLA 15.4	75.9	33	
	P		1100	1420	1750	2090	2400	2690	2923							
	A		6.4	7.6	9.0	10.4	11.8	13.1	14.3							
	W	50.0	921	1355	2070	2870	3850	5050	6550							
	P		985	1330	1690	2060	2420	2750	3050							
	A		5.9	7.2	8.7	10.3	11.9	13.4	14.7							
	W	55.0		935	1590	2295	3150	4250	5500							
	P		1200	1600	2000	2400	2780	3130								
	A		6.7	8.3	10.0	11.8	13.5	15.2								
CS20K6ETFD595 - Rotalock Valve Kit - Crankcase Heater - Oil Sight Glass - POE Oil	W	45.0	1217	1790	2575	3450	4550	5950	7617	74.3	3.00	3Ph	MCC 7.1 RLA 5.1	40	33	
	P		1110	1440	1730	2000	2270	2550	2867							
	A		3.4	4.0	4.5	5.1	5.6	6.2	6.90							
	W	50.0	921	1355	2070	2870	3850	5050	6550							
	P		964	1340	1670	1980	2280	2590	2940							
	A		3.2	3.8	4.4	5.0	5.6	6.3	7.0							
	W	55.0		935	1590	2295	3150	4250	5500							
	P		1200	1570	1920	2260	2620	2987								
	A		3.5	4.2	4.9	5.6	6.3	7.1								
CS27K6ETFD595 - Rotalock Valve Kit - Crankcase Heater - Oil Sight Glass - POE Oil	W	45.0	1591	2340	3400	4650	6100	7750	9583	92.4	3.50	3Ph	MCC 11.8 RLA 8.5	41.0	33	
	P		1390	1810	2270	2740	3180	3580	3930							
	A		3.3	3.8	4.4	5.0	5.7	6.3	6.8							
	W	50.0	1282	1885	2785	3900	5200	6650	8317							
	P		1290	1730	2210	2710	3200	3660	4077							
	A		3.2	3.7	4.3	5.0	5.7	6.4	7.1							
	W	55.0		1510	2255	3200	4300	5600	7017							
	P		1640	2140	2670	3210	3720	4187								
	A		3.6	4.3	5.0	5.7	6.5	7.2								
CS33K6ETFD595 - Rotalock Valve Kit - Crankcase Heater - Oil Sight Glass - POE Oil	W	45.0	2040	3000	4150	5550	7250	9300	11717	106.2	4.00	3Ph	MCC 13.8 RLA 9.9	45.0	35	
	P		1780	2280	2830	3380	3890	4320	4670							
	A		5.1	5.8	6.7	7.6	8.5	9.3	10.0							
	W	50.0	1645	2420	3400	4650	6150	8000	10250							
	P		1630	2180	2770	3360	3930	4430	4863							
	A		4.9	5.7	6.6	7.6	8.6	9.5	10.3							
	W	55.0		1925	2715	3750	5050	6750	8667							
	P		2030	2660	3320	3950	4520	5003								
	A		5.4	6.4	7.5	8.6	9.7	10.5								

Rating Conditions: 4.4 Deg Return Gas, no Sub-Cooling, 35 Deg Ambient / Supplied with: Internal Motor Protection, Rubber Mounting Kit
*Amps : MCC = maximum continuous current, RLA = MCC ÷ 1.4 (Copeland advises use RLA for contactor selection)

Prices

Airefrig Part Number	List Price Excl GST
CS10K6EPFJ55R	\$1,460.72
CS10K6EPFJ595	\$1,460.72
CS10K6EPFJ58R	\$1,445.84
CS12K6EPFJ55R	\$1,558.96
CS14K6EPFJ595	\$1,552.52
CS14K6EPFJ525	\$1,360.28

Airefrig Part Number	List Price Excl GST
CS14K6EPFJ545	\$1,360.28
CS14K6ETFD55R	\$1,386.96
CS14K6ETFD595	\$1,386.96
CS18K6EPFJ595	\$1,746.96
CS18K6EPFJ235	\$1,846.72
CS18K6EPFJ525	\$1,846.72

Airefrig Part Number	List Price Excl GST
CS18K6ETFD55R	\$1,481.24
CS18K6ETFD595	\$1,481.24
CS20K6EPFZ545	\$1,489.60
CS20K6ETFD595	\$1,558.00
CS27K6ETFD595	\$1,694.08
CS33K6ETFD595	\$1,892.80



AIREFRIG AUSTRALIA PTY LTD
RECOMMENDED LIST PRICES
A.B.N. 95 008 761 573

ALL PRICES ARE EXCLUSIVE OF GST
SUBJECT TO CHANGE WITHOUT NOTICE
EFFECTIVE MARCH 2014

COPELAND COMPRESSORS

R134a Reciprocating Compressors

Capacities R134a

Airefrig Part Number		Refrigeration Capacity - Watts								Consumption - Power		Current - Amps			
		Condensing Temperature °C								Displ cm ³ /r	Motor				Kgs
		Evaporating Temperature °C									HP	Type	*Amps	LRA	
		-15	-10	-5	0	5	10	12.8							
CS10K6EPFJ55R CS10K6EPFJ595 - Rotalock Valve Kit - CSR Electrics & Box - Crankcase Heater - Oil Sight Glass - POE Oil	W	45.0	800	1200	1740	2390	3100	3960	4480	38.1	1.30	CSR	MCC 11.2 RLA 8.0	55.0	31
	P		624	722	822	920	995	1044	1070						
	A		4.5	4.7	5.0	5.4	5.6	5.8	5.9						
	W	50.0	650	1010	1510	2120	2790	3570	4040						
	P		593	700	815	930	1022	1089	1125						
	A		4.3	4.7	4.9	5.3	5.7	5.9	6.0						
W	55.0	840	1300	1850	2460	3190	3630								
P		679	805	928	1034	1125	1171								
A		4.5	4.9	5.3	5.7	6.1	6.3								
CS12K6EPFJ55R - Rotalock Valve Kit - CSR Electrics & Box - Crankcase Heater - Oil Sight Glass - POE Oil	W	45.0	980	1450	2050	2790	3600	4620	5240	44.4	1.80	CSR	MCC 15.2 RLA 10.9	55.0	31
	P		707	826	933	1034	1112	1169	1195						
	A		5.8	6.1	6.4	6.7	7.0	7.2	7.3						
	W	50.0	790	1240	1800	2490	3250	4180	4760						
	P		665	800	928	1043	1138	1217	1258						
	A		5.5	6.0	6.4	6.7	7.0	7.3	7.5						
W	55.0	1020	1550	2180	2880	3750	4270								
P		757	908	1044	1166	1261	1312								
A		5.8	6.2	6.7	7.0	7.4	7.7								
CS14K6EPFJ595 - Rotalock Valve Kit - CSR Electrics & Box - Crankcase Heater - Oil Sight Glass - POE Oil	W	45.0	1140	1680	2380	3240	4190	5360	6060	48.6	2.00	CSR	MCC 14.5 RLA 10.4	58.0	32
	P		831	967	1095	1211	1299	1367	1403						
	A		6.9	7.2	7.5	7.9	8.2	8.5	8.6						
	W	50.0	920	1440	2090	2890	3780	4870	5530						
	P		777	930	1084	1222	1334	1431	1483						
	A		6.5	7.0	7.5	7.9	8.2	8.6	8.8						
W	55.0	1180	1790	2520	3320	4330	4940								
P		893	1066	1231	1360	1473	1534								
A		6.8	7.3	7.8	8.3	8.7	9.0								
CS14K6ETFD55R CS14K6ETFD595 - Rotalock Valve Kit - Crankcase Heater - Oil Sight Glass - POE Oil	W	45.0	1140	1680	2380	3240	4190	5360	6060	48.6	2.00	3Ph	MCC 6.6 RLA 4.7	28.0	32
	P		696	805	933	1060	1156	1226	1258						
	A		2.1	2.2	2.3	2.4	2.4	2.5	2.6						
	W	50.0	920	1440	2090	2890	3780	4870	5530						
	P		675	800	934	1069	1189	1273	1319						
	A		2.0	2.1	2.2	2.4	2.5	2.5	2.6						
W	55.0	1180	1790	2520	3320	4330	4940								
P		777	928	1080	1219	1327	1383								
A		2.1	2.2	2.4	2.4	2.6	2.6								
CS18K6EPFJ595 - Rotalock Valve Kit - CSR Electrics & Box - Crankcase Heater - Oil Sight Glass - POE Oil	W	45.0	1530	2260	3200	4340	5620	7190	8150	61.4	2.50	CSR	MCC 19.1 RLA 13.6	64.0	32
	P		1112	1294	1465	1621	1741	1834	1881						
	A		9.1	9.7	10.2	10.6	11.0	11.3	11.5						
	W	50.0	1230	1930	2810	3870	5070	6530	7420						
	P		1043	1250	1454	1641	1789	1912	1973						
	A		8.8	9.4	10.0	10.6	11.1	11.5	11.8						
W	55.0	1590	2410	3400	4470	5810	6620								
P		1198	1428	1640	1822	1978	2059								
A		9.1	9.8	10.5	11.1	11.8	12.1								

Rating Conditions: 18.3 Deg Return Gas, no Sub-Cooling, 35 Deg Ambient / Supplied with: Internal Motor Protection, Rubber Mounting Kit
*Amps : MCC = maximum continuous current, RLA = MCC ÷ 1.4 (Copeland advises use RLA for contactor selection)

COPELAND COMPRESSORS

R134a Reciprocating Compressors

Capacities R134a

Airefrig Part Number		Refrigeration Capacity - Watts								Consumption - Power		Current - Amps				Kgs
		Condensing Temperature °C								Displ cm ³ /r	Motor					
		Evaporating Temperature °C									HP	Type	*Amps	LRA		
		-15	-10	-5	0	5	10	12.8								
CS18K6ETFD55R CS18K6ETFD595 - Rotalock Valve Kit - Crankcase Heater - Oil Sight Glass - POE Oil	W	45.0	1530	2260	3200	4340	5620	7190	8160	61.4	2.50	3Ph	MCC 6.6 RLA 4.7	33.0	32	
	P		1008	1172	1347	1528	1671	1772	1819							
	A		3.0	3.1	3.3	3.4	3.5	3.6	3.7							
	W	50.0	1230	1930	2810	3870	5070	6530	7420							
	P		982	1150	1352	1544	1718	1846	1912							
	A		3.0	3.1	3.2	3.4	3.5	3.7	3.8							
W	55.0		1590	2410	3400	4470	5810	6620								
P		1123	1341	1564	1761	1917	1998									
A		3.1	3.2	3.4	3.6	3.7	3.8									
CS20K6EPFZ545 - Stub Tubes - CSR Electrics & Box - Crankcase Heater - POE Oil	W	45.0	2010	2730	3730	4930	6170	7510	8290	74.3	3.00	CSR	MCC 19.8 RLA 14.1	75.9	33	
	P		1122	1294	1499	1694	1850	1964	2016							
	A		6.2	6.9	7.7	8.4	9.1	9.8	10.0							
	W	50.0	1740	2410	3350	4490	5680	6960	7710							
	P		1084	1281	1498	1723	1904	2045	2117							
	A		6.1	6.9	7.7	8.6	9.4	10.2	10.6							
W	55.0		2070	2950	4020	5170	6400	7110								
P		1241	1491	1741	1955	2129	2220									
A		6.8	7.7	8.7	9.6	10.5	11.0									
CS20K6ETFD595 - Rotalock Valve Kit - Crankcase Heater - Oil Sight Glass - POE Oil	W	45.0	2010	2730	3730	4930	6170	7510	8290	74.3	3.00	3Ph	MCC 7.1 RLA 5.1	40.0	33	
	P		1122	1294	1499	1694	1850	1964	2016							
	A		3.4	3.5	3.7	3.8	4.0	4.1	4.2							
	W	50.0	1740	2410	3350	4490	5680	6960	7710							
	P		1084	1281	1498	1723	1904	2045	2117							
	A		3.4	3.5	3.6	3.8	4.0	4.1	4.2							
W	55.0		2070	2950	4020	5170	6400	7110								
P		1241	1491	1741	1955	2129	2220									
A		3.4	3.6	3.8	4.0	4.2	4.2									
CS27K6ETFD595 - Rotalock Valve Kit - Crankcase Heater - Oil Sight Glass - POE Oil	W	45.0	2490	3380	4720	6400	8130	9970	11020	92.4	3.50	3Ph	MCC 10.8 RLA 7.7	41.0	33	
	P		1351	1613	1912	2203	2424	2541	2588							
	A		3.3	3.6	7.0	4.3	4.6	4.8	4.9							
	W	50.0	2230	2970	4170	5730	7420	9200	10230							
	P		1278	1562	1904	2229	2497	2674	2751							
	A		3.2	3.5	3.9	4.3	4.7	4.9	5.0							
W	55.0		2570	3605	5080	6690	8410	9410								
P		1496	1872	2245	2563	2795	2906									
A		3.4	3.9	4.3	4.8	5.1	5.2									
CS33K6ETFD595 - Rotalock Valve Kit - Crankcase Heater - Oil Sight Glass - POE Oil	W	45.0	3050	4140	5650	7460	9360	11390	12570	106.2	4.00	3Ph	MCC 12.7 RLA 9.1	45.0	35	
	P		1788	2068	2386	2697	2952	3128	3211							
	A		6.5	6.7	7.0	7.3	7.5	7.7	7.9							
	W	50.0	2640	3650	5080	6790	8610	10560	11690							
	P		1728	2040	2391	2740	3034	3262	3374							
	A		6.4	6.7	6.9	7.3	7.6	7.8	8.0							
W	55.0		3140	4470	6100	7840	9710	10800								
P		1981	2373	2765	3111	3386	3532									
A		6.5	6.9	7.3	7.6	7.9	8.1									

Rating Conditions: 18.3 Deg Return Gas, no Sub-Cooling, 35 Deg Ambient / Supplied with: Internal Motor Protection, Rubber Mounting Kit
*Amps : MCC = maximum continuous current, RLA = MCC ÷ 1.4 (Copeland advises use RLA for contactor selection)

Prices

Airefrig Part Number	List Price Excl GST
CS10K6EPFJ55R	\$1,460.72
CS10K6EPFJ595	\$1,460.72
CS10K6EPFJ58R	\$1,445.84
CS12K6EPFJ55R	\$1,558.96
CS14K6EPFJ595	\$1,552.52
CS14K6EPFJ525	\$1,360.28

Airefrig Part Number	List Price Excl GST
CS14K6EPFJ545	\$1,360.28
CS14K6ETFD55R	\$1,386.96
CS14K6ETFD595	\$1,386.96
CS18K6EPFJ595	\$1,746.96
CS18K6EPFJ235	\$1,846.72
CS18K6EPFJ525	\$1,846.72

Airefrig Part Number	List Price Excl GST
CS18K6ETFD55R	\$1,481.24
CS18K6ETFD595	\$1,481.24
CS20K6EPFZ545	\$1,489.60
CS20K6ETFD595	\$1,558.00
CS27K6ETFD595	\$1,694.08
CS33K6ETFD595	\$1,892.80



AIREFRIG AUSTRALIA PTY LTD
RECOMMENDED LIST PRICES
A.B.N. 95 008 761 573

ALL PRICES ARE EXCLUSIVE OF GST
SUBJECT TO CHANGE WITHOUT NOTICE
EFFECTIVE MARCH 2014

COPELAND COMPRESSORS

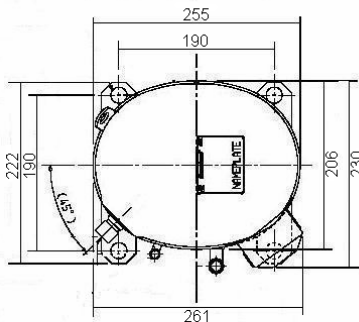
CS Series - Reciprocating Compressors

Dimensions & Specifications

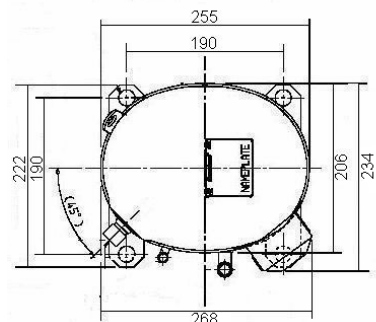
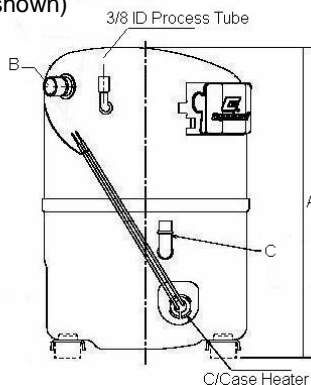
Airefrig Part Number	Height A	Suction B	Discharge C	Oil Recharge (litres)	Capacitors (MFD / Volts)		Crankcase Heater	Wiring Drg No	
					Start	Run			
CS10K6EPFJ55R	348	3/4 rotalock	3/8 rotalock	1.27	130-156 / 250V	30MFD / 370V	918003105 40Watt 240/480/600V Insertion	1	
CS10K6EPFJ595							018008800 40Watt 240V Wrap Around		
CS10K6EPFJ58R	348	3/4 rotalock	1/2 stub tube	1.27	130-156 / 250V	30MFD / 370V	918003105 40Watt 240/480/600V Insertion		
CS12K6EPFJ55R	348	3/4 rotalock	3/8 rotalock	1.27	130-156 / 250V	30MFD / 370V	918003105 40Watt 240/480/600V Insertion		
CS14K6EPFJ595	348	3/4 rotalock	3/8 rotalock	1.27	145-174 / 220V	35MFD / 370V	018008800 40Watt 240V Wrap Around		
CS14K6EPFJ525 *	348	3/4 stub tube	3/8 stub tube	1.27	145-174 / 220V	35MFD / 370V	918003105 40Watt 240/480/600V Insertion		
CS14K6EPFJ545 *							018008800 40Watt 240V Wrap Around		
CS14K6ETFD55R	348	3/4 rotalock	3/8 rotalock	1.27	-	-	918003105 40Watt 240/480/600V Insertion		3
CS14K6ETFD595							018008800 40Watt 240V Wrap Around		
CS18K6EPFJ595	360	3/8 rotalock	3/8 rotalock	1.27	145-174 / 250V	45MFD / 370V	018008800 40Watt 240V Wrap Around		1
CS18K6EPFJ235 *	360	3/4 stub tube	3/8 stub tube	1.27	145-174 / 250V	45MFD / 370V	018003702 58Watt 240V Wrap Around		
CS18K6EPFJ525 *									
CS18K6ETFD55R	360	3/4 rotalock	3/8 rotalock	1.27	-	-	918003105 40Watt 240/480/600V Insertion	3	
CS18K6ETFD595							018008800 40Watt 240V Wrap Around		
CS20K6ETFD595	360	3/4 rotalock	1/2 rotalock	1.27	-	-	018008800 40Watt 240V Wrap Around		
CS20K6EPFZ545 *	360	3/4 stub tube	1/2 stub tube	1.27	216-259 / 330V	40MFD / 370V	018008800 40Watt 240V Wrap Around	1	
CS27K6ETFD595	386	3/4 rotalock	1/2 rotalock	1.50	-	-	018008800 40Watt 240V Wrap Around	3	
CS33K6ETFD595	386	7/8 rotalock	1/2 rotalock	1.50	-	-	018008800 40Watt 240V Wrap Around		

* Not supplied with Oil Sight Glass.

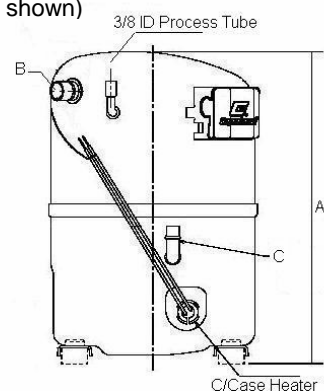
Supplied with: Internal Motor Protection, Rubber Mounting Kit



CS10 – CS27
(stub tube model shown)



CS33
(stub tube model shown)



COPELAND COMPRESSORS

R22 Medium Temperature Refrigeration Reciprocating Compressors

Capacities R22

Airefrig Part Number		Refrigeration Capacity - Watts							Consumption – Power		Current – Amps				Kgs
			Condensing Temperature °C						Displ cm ³ /r	HP	Type	Motor		LRA	
			Evaporating Temperature °C									*Amps	LRA		
			-10	-5	0	5	10	12.8							
CR18KQPFZ267RM CR18K6PFJ595 - Rotalock Valve Kit - CSR Electrics & Box - Crankcase Heater - Oil Sight Glass - Mineral Oil	W		2110	2790	3850	4900	6090	6850	36.4	1.5	CSR	MCC 11.5 RLA 8.2	45.0	28	
	P	45.0	1029	1146	1276	1372	1434	1455							
	A		5.0	5.6	6.1	6.5	6.9	7.0							
	W		1820	2460	3460	4460	5620	6330							
	P	50.0	1012	1145	1304	1424	1513	1554							
	A		4.9	5.5	6.2	6.7	7.2	7.4							
	W		1540	2130	3060	4010	5080	5780							
	P	55.0	974	1128	1314	1461	1584	1635							
	A		4.8	5.4	6.3	6.9	7.5	7.8							
CR24KQPFT267RM CR24K6PFJ595 - Rotalock Valve Kit - CSR Electrics & Box - Crankcase Heater - Oil Sight Glass - Mineral Oil	W		2920	3740	5010	6880	7730	8660	44.2	2.00	CSR	MCC 17.0 RLA 12.1	59.0	29	
	P	45.0	1439	1564	1704	1850	1891	1923							
	A		7.3	7.7	8.3	8.9	9.0	9.2							
	W		2600	3380	4580	6360	7190	8080							
	P	50.0	1442	1587	1756	1933	1994	2045							
	A		7.3	7.8	8.5	9.3	9.5	9.7							
	W		2260	2990	4120	5810	6590	7430							
	P	55.0	1428	1594	1794	2018	2089	2160							
	A		7.2	7.9	8.7	9.6	9.9	10.2							
CR24KQTFD267RM - Rotalock Valve Kit - Crankcase Heater - Oil Sight Glass - Mineral Oil	W		2920	3740	5010	6880	7730	8660	44.2	2.00	3Ph	MCC 5.2 RLA 3.7	25.0	28	
	P	45.0	1200	1370	1520	1650	1750	1780							
	A		2.4	2.7	2.9	3.0	3.2	3.2							
	W		2600	3380	4580	6360	7190	8080							
	P	50.0	1210	1400	1580	1740	1870	1920							
	A		2.4	2.7	2.9	3.1	3.3	3.4							
	W		2260	2990	4120	5810	6590	7430							
	P	55.0	1200	1420	1630	1810	1970	2040							
	A		2.4	2.7	3.0	3.3	3.5	3.6							
CR32K6TFD595 - Rotalock Valve Kit - Crankcase Heater - Oil Sight Glass - Mineral Oil	W		3800	5100	6600	8300	10250	11100	57.1	2.75	3Ph	MCC 7.1 RLA 5.1	33.0	30	
	P	45.0	1680	1880	2050	2180	2260	2270							
	A		4.1	4.4	4.6	4.8	5.0	5.0							
	W		3350	4600	6000	7650	9450	10250							
	P	50.0	1690	1920	2130	2300	2420	2450							
	A		4.1	4.4	4.8	5.0	5.2	5.3							
	W		2900	4050	5400	6950	8700	9450							
	P	55.0	1680	1940	2190	2400	2560	2610							
	A		4.1	4.5	4.9	5.2	5.5	5.6							
CR33KQTFD267RM - Rotalock Valve Kit - Crankcase Heater - Oil Sight Glass - Mineral Oil	W		3830	4890	6600	8390	10180	11330	60.6	2.75	3Ph	MCC 6.6 RLA 4.7	31.6	35	
	P	45.0	1777	1962	2193	2350	2505	2546							
	A		3.6	3.8	4.1	4.3	4.4	4.5							
	W		3410	4400	6020	7740	9460	10680							
	P	50.0	1774	1981	2249	2444	2638	2710							
	A		3.6	3.8	4.1	4.3	4.5	4.6							
	W		2860	3890	5380	7025	8670	9740							
	P	55.0	1754	1989	2298	2530	2760	2861							
	A		3.6	3.8	4.1	4.4	4.7	4.8							

Rating Conditions: 11.1K Superheat, 8.3K Subcooling, 35 Deg Ambient. / Supplied with: Internal Motor Protection, Rubber Mounting Kit
*Amps : MCC = maximum continuous current, RLA = MCC ÷ 1.4 (Copeland advises use RLA for contactor selection)

COPELAND COMPRESSORS

R22 Medium Temperature Refrigeration Reciprocating Compressors

Capacities R22

Airefrig Part Number	Refrigeration Capacity - <u>Watts</u>								Consumption – <u>Power</u>			Current – <u>Amps</u>		Kgs
	W	P	Condensing Temperature °C						Displ cm ³ /r	Motor				
			Evaporating Temperature °C							HP	Type	*Amps	LRA	
			-10	-5	0	5	10	12.8						
CR37KQTFD267RM - Rotalock Valve Kit - Crankcase Heater - Oil Sight Glass - Mineral Oil	W		4650	5870	7770	9720	11670	12940	66.5	3.00	3Ph	MCC 7.8 RLA 5.6	39.0	29
	P	45.0	2047	2255	2497	2672	2848	2920						
	A		4.2	4.3	4.6	4.8	5.0	5.1						
	W		4240	5390	7180	9065	10950	12150						
	P	50.0	2060	2293	2579	2787	2996	3088						
	A		4.1	4.4	4.7	4.9	5.1	5.3						
	W		3710	4860	6530	8320	10110	11270						
	P	55.0	2078	2328	2654	2894	3134	3256						
	A		4.2	4.4	4.8	5.1	5.4	5.5						
CR38K6TFD595 - Rotalock Valve Kit - Crankcase Heater - Oil Sight Glass - Mineral Oil	W		4650	6150	7850	9750	11950	12850	66.4	3.00	3Ph	MCC 8.2 RLA 5.9	42.0	31
	P	45.0	1970	2200	2390	2530	2610	2620						
	A		4.2	4.4	4.7	4.8	4.9	5.0						
	W		4100	5550	7150	9000	11050	11900						
	P	50.0	1980	2270	2500	2680	2800	2840						
	A		4.2	4.5	4.8	5.0	5.2	5.3						
	W		3550	4950	6500	8250	10150	10950						
	P	55.0	1970	2310	2590	2820	2990	3040						
	A		4.2	4.6	4.9	5.2	5.5	5.5						
CR41KQTFD267RM - Rotalock Valve Kit - Crankcase Heater - Oil Sight Glass - Mineral Oil	W		5240	6600	8710	10910	13110	14580	73.6	3.50	3Ph	MCC 8.3 RLA 5.9	42.0	31
	P	45.0	2312	2533	2801	2980	3159	3222						
	A		4.6	4.9	5.1	5.3	5.5	5.6						
	W		4760	6030	8020	10145	12270	13700						
	P	50.0	2336	2595	2904	3130	3354	3446						
	A		4.6	4.9	5.2	5.5	5.7	5.9						
	W		4150	5430	7280	9305	11330	12690						
	P	55.0	2351	2631	2998	3268	3539	3670						
	A		4.5	4.9	5.4	5.7	6.0	6.2						
CR42K6TFD595 - Rotalock Valve Kit - Crankcase Heater - Oil Sight Glass - Mineral Oil	W		5250	6850	8700	10850	13350	14500	72.1	3.50	3Ph	MCC 8.9 RLA 6.4	42.0	32
	P	45.0	2180	2440	2650	2830	2960	3000						
	A		4.6	4.9	5.1	5.4	5.5	5.6						
	W		4650	6200	7950	10000	12350	13450						
	P	50.0	2220	2510	2770	3000	3180	3240						
	A		4.6	5.0	5.3	5.6	5.8	5.9						
	W		4100	5600	7250	9150	11350	12350						
	P	55.0	2230	2570	2870	3140	3380	3460						
	A		4.6	5.0	5.4	5.8	6.1	6.2						

Rating Conditions: 11.1K Superheat, 8.3Kb Subcooling, 35 Deg Ambient. / Supplied with: Internal Motor Protection, Rubber Mounting Kit
*Amps : MCC = maximum continuous current, RLA = MCC ÷ 1.4 (Copeland advises use RLA for contactor selection)

COPELAND COMPRESSORS

R22 Medium Temperature Refrigeration Reciprocating Compressors

Capacities R22

Airefrig Part Number		Refrigeration Capacity - <u>Watts</u>							Consumption - <u>Power</u>		Current - <u>Amps</u>				Kgs
		Condensing Temperature °C							Displ cm ³ /r	Motor					
		Evaporating Temperature °C								HP	Type	*Amps	LRA		
		-10	-5	0	5	10	12.8								
CR47KQTFD267RM CR47KQTFD595 - Rotalock Valve Kit - Crankcase Heater - Oil Sight Glass - Mineral Oil	W		6130	7650	10000	12390	14770	16300	81.1	4.00	3Ph	MCC 11.5 RLA 8.2	50.0	35	
	P	45.0	2764	3014	3289	3442	3596	3627							
	A		5.6	5.9	6.2	6.5	6.7	6.7							
	W		5600	7040	9250	11560	13870	15330							
	P	50.0	2812	3106	3446	3655	3865	3937							
	A		5.6	6.0	6.4	6.7	7.0	7.1							
	W		4890	6360	8470	10670	12870	14290							
	P	55.0	2861	3180	3589	3867	4145	4246							
	A		5.7	6.1	6.6	7.0	7.4	7.5							
CR53KQTFD595 - Rotalock Valve Kit - Crankcase Heater - Oil Sight Glass - Mineral Oil	W		7060	8730	11270	13880	16490	18210	89.6	4.50	3Ph	MCC 12.7 RLA 9.1	55.0	35	
	P	45.0	3159	3437	3741	3912	4084	4136							
	A		6.5	6.9	7.2	7.5	7.7	7.8							
	W		6460	8070	10500	13015	15530	17170							
	P	50.0	3216	3546	3912	4144	4376	4458							
	A		6.5	7.0	7.5	7.8	8.1	8.2							
	W		5730	7340	9650	12040	14430	16000							
	P	55.0	3281	3637	4090	4386	4681	4792							
	A		6.5	7.1	7.7	8.1	8.5	8.7							
CRN50500TFD55R CRNQ0500TFD595 - Rotalock Valve Kit - Crankcase Heater - Oil Sight Glass - Mineral Oil	W		8370	10220	12970	15915	18860	20890	105.6	5.00	3Ph	MCC 13.5 RLA 9.6	65.0	42	
	P	45.0	3450	3783	4136	4339	4542	4604							
	A		8.0	8.4	8.9	9.3	9.6	9.7							
	W		7690	9500	12160	14965	17770	19720							
	P	50.0	3487	3878	4317	4512	4888	4990							
	A		8.0	8.6	9.2	9.6	10.0	10.2							
	W		6890	8680	11250	13930	16610	18430							
	P	55.0	3539	3948	4474	4836	5197	5348							
	A		8.0	8.6	9.4	10.0	10.5	10.8							

Rating Conditions: 11.1K Superheat, 8.3Kb Subcooling, 35 Deg Ambient. / Supplied with: Internal Motor Protection, Rubber Mounting Kit
*Amps : MCC = maximum continuous current, RLA = MCC ÷ 1.4 (Copeland advises use RLA for contactor selection)

Prices

Airefrig Part Number	List Price Excl GST
CR18KQPFZ267RM	\$1,254.04
CR18K6PFJ595	\$1,254.04
CR24KQPFT267RM	\$1,419.64
CR24K6PFJ595	\$1,419.64
CR24KQTFD267RM	\$1,437.72

Airefrig Part Number	List Price Excl GST
CR32K6TFD595	\$1,347.76
CR33KQTFD267RM	\$1,347.76
CR37KQTFD267RM	\$1,478.62
CR38K6TFD595	\$1,478.62
CR41KQTFD267RM	\$1,570.12

Airefrig Part Number	List Price Excl GST
CR42K6TFD595	\$1,570.12
CR47KQTFD595	\$1,294.92
CR53KQTFD595	\$1,604.44
CRN50500TFD55R	\$1,785.36
CRNQ0500TFD595	\$1,785.36



AIREFRIG AUSTRALIA PTY LTD
RECOMMENDED LIST PRICES
A.B.N. 95 008 761 573

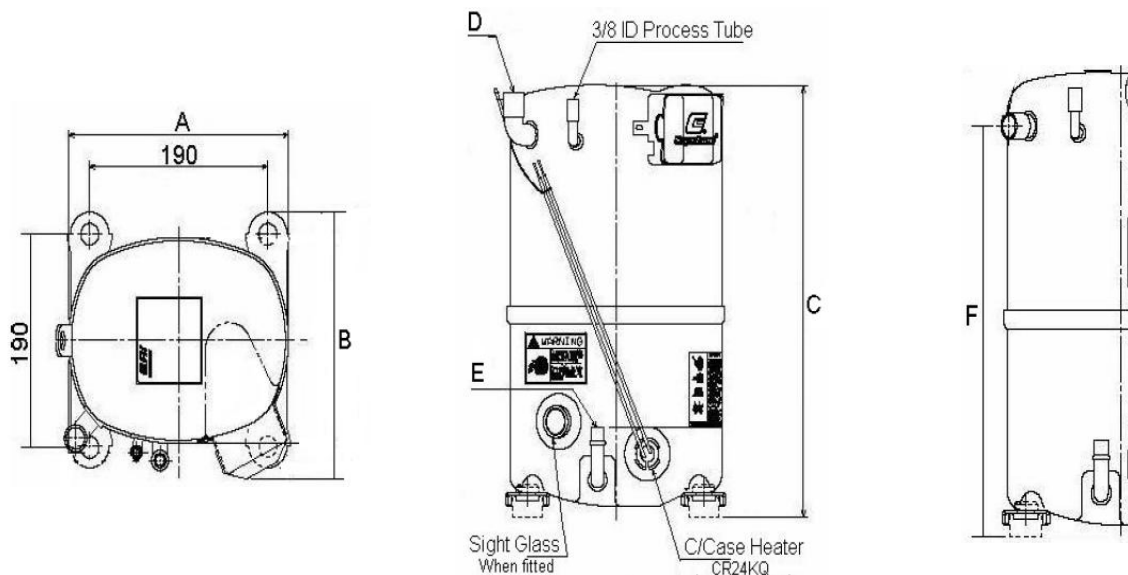
ALL PRICES ARE EXCLUSIVE OF GST
SUBJECT TO CHANGE WITHOUT NOTICE
EFFECTIVE MARCH 2014

COPELAND COMPRESSORS

R22 Medium Temperature Refrigeration Reciprocating Compressors

Airefrig Part Number	A	B	C	F	Suction conn. D	Discharge Conn. E	Oil Charge Litres	Capacitors MFD/Volts		Crankcase Heater (Supplied)	Wiring Drg. No.
								Start	Run		
CR18KQPFZ267RM CR18K6PFJ595	235	235	354	318	5/8 rotalock	3/8 rotalock	1.50	145-174 330V	25MFD 440V	018003702 CH-213 240V 58W Wrap Around 018008800 40Watt 240V Wrap Around	1
CR24KQPFT267RM CR24K6PFJ595	235	235	348	310	5/8 rotalock	3/8 rotalock	1.27	145-174 250V	35MFD 440V	018003702 CH-213 240V 58W Wrap Around 018008800 40Watt 240V Wrap Around	1
CR24KQTFD267RM	235	235	348	310	5/8 rotalock	3/8 rotalock	1.27	-	-	018003702 CH-213 240V 58W Wrap Around	3
CR33KQTFD267RM CR32K6TFD595	235	235	360	310	3/4 rotalock	3/8 rotalock	1.12	-	-	918003105 40Watt 240/480/600V Insertion Type 018008800 40Watt 240V Wrap Around	3
CR37KQTFD267RM CR38K6TFD595	235	235	370	320	3/4 rotalock	3/8 rotalock	1.12	-	-	918003105 40Watt 240/480/600V Insertion Type 018008800 40Watt 240V Wrap Around	3
CR41KQTFD267RM CR42K6TFD595	235	235	380	330	3/4 rotalock	3/8 rotalock	1.12	-	-	918003105 40Watt 240/480/600V Insertion Type 018008800 40Watt 240V Wrap Around	3
CR47KQTFD267RM CR47KQTFD595	255	222	385	335	7/8 rotalock	1/2 rotalock	1.27	-	-	918003105 40Watt 240/480/600V Insertion Type 018008800 40Watt 240V Wrap Around	3
CR53KQTFD595	255	222	385	335	7/8 rotalock	1/2 rotalock	1.27	-	-	018008800 40Watt 240V Wrap Around	3
CRN50500TFD55R CRNQ0500TFD595	255	229	420	380	7/8 rotalock	1/2 rotalock	1.95	-	-	918003105 40Watt 240/480/600V Insertion Type 018008804 45Watt 240V Wrap Around	3

Supplied with: Internal Motor Protection, Rubber Mounting Kit



COPELAND COMPRESSORS

R22 Air Conditioning Reciprocating Compressors

Capacities R22

Airefrig Part Number		Refrigeration Capacity - <u>Watts</u>							Consumption - <u>Power</u>		Current - <u>Amps</u>				Kgs
		Condensing Temperature °C							Displ cm ³ /r	Motor					
		Evaporating Temperature °C								HP	Type	*Amps	LRA		
		-10	-5	0	7.2	10	12.8								
CR24KQPFT280BB - Stub Tubes - Crankcase Heater - Mineral Oil - Run Capacitor (PSC)	W		2920	3740	5010	6880	7730	8660	42.6	2.00	PSC	MCC 17.0	46.0	29	
	P	45.0	1439	1564	1704	1850	1891	1923							
	A		7.3	7.7	8.3	8.9	9.0	9.2							
	W		2600	3380	4580	6360	7190	8080							
	P	50.0	1442	1587	1756	1933	1994	2045							
	A		7.3	7.8	8.5	9.3	9.5	9.7							
CR24KQPFT267RM CR24K6PFJ595 - Rotalock Valve Kit - Crankcase Heater - Oil Sight Glass - CSR Electrics & Box	W		2260	2990	4120	5810	6590	7430	44.2	2.00	CSR	RLA 12.1	25.0	28	
	P	55.0	1428	1594	1794	2018	2089	2160							
	A		7.2	7.9	8.7	9.6	9.9	10.2							
	W		2600	3380	4580	6360	7190	8080							
	P	50.0	1210	1400	1580	1790	1870	1920							
	A		2.4	2.7	2.9	3.2	3.3	3.4							
CR24KQTFD267RM - Rotalock Valve Kit - Crankcase Heater - Oil Sight Glass - Mineral Oil	W		2260	2990	4120	5810	6590	7430	42.6	2.00	3Ph	MCC 5.2	23.0	28	
	P	55.0	1200	1420	1630	1880	1970	2040							
	A		2.4	2.7	3.0	3.4	3.5	3.6							
	W		2850	3620	4810	6540	7360	8200							
	P	45.0	1512	1598	1710	1839	1881	1923							
	A		3.5	3.5	3.6	3.6	3.7	3.7							
CRD10200TFD561 - Rotalock Valve Kit - Crankcase Heater - Oil Sight Glass - Mineral Oil	W		2590	3310	4450	6100	6880	7710	49.6	2.33	PSC	MCC 17.0	61.0	29	
	P	50.0	1554	1659	1792	1953	2004	2065							
	A		3.4	3.5	3.6	3.8	3.8	3.8							
	W		2240	2970	4040	5590	6320	7100							
	P	55.0	1613	1726	1878	2063	2143	2214							
	A		3.5	3.6	3.7	3.8	3.8	3.9							
CR28KQPFZ280BM - Stub Tubes - Run Capacitor (PSC) - Crankcase Heater - Mineral Oil	W		3440	4450	5920	7980	8880	9840	57.1	2.75	3Ph	MCC 7.1	33.0	30	
	P	45.0	1652	1801	1969	2130	2182	2214							
	A		9.0	9.5	10.1	10.7	10.9	11.1							
	W		2970	3960	5400	7390	8280	9200							
	P	50.0	1646	1823	2027	2239	2301	2352							
	A		8.9	9.5	10.3	11.1	11.3	11.7							
CR32K6TFD595 - Rotalock Valve Kit - Crankcase Heater - Oil Sight Glass - Mineral Oil	W		2470	3460	4880	6790	7640	8540	42.6	2.00	3Ph	RLA 4.3	23.0	28	
	P	55.0	1620	1829	2074	2331	2412	2483							
	A		8.7	9.5	10.5	11.5	11.8	12.1							
	W		3800	5100	6600	9050	10250	11100							
	P	45.0	1680	1880	2050	2220	2260	2270							
	A		4.1	4.4	4.6	4.9	5.0	5.0							
CR32K6TFD595 - Rotalock Valve Kit - Crankcase Heater - Oil Sight Glass - Mineral Oil	W		3350	4600	6000	8350	9450	10250	42.6	2.00	3Ph	MCC 6.0	23.0	28	
	P	50.0	1690	1920	2130	2350	2420	2450							
	A		4.1	4.4	4.8	5.1	5.2	5.3							
	W		2900	4050	5400	7650	8700	9450							
	P	55.0	1680	1940	2190	2470	2560	2610							
	A		4.1	4.5	4.9	5.3	5.5	5.6							

Rating Conditions: 11.1K Superheat, 8.3Kb Subcooling, 35 Deg Ambient. / Supplied with: Internal Motor Protection, Rubber Mounting Kit
*Amps : MCC = maximum continuous current, RLA = MCC ÷ 1.4 (Copeland advises use RLA for contactor selection)

COPELAND COMPRESSORS

R22 Air Conditioning Reciprocating Compressors

Capacities R22

Airefrig Part Number		Refrigeration Capacity - <u>Watts</u>							Consumption – <u>Power</u>		Current – <u>Amps</u>				Kgs											
			Condensing Temperature °C						Displ cm ³ /r	Motor																
			Evaporating Temperature °C							HP	Type	*Amps	LRA													
			-10	-5	0	7.2	10	12.8																		
CR33KQTFD267RM - Rotalock Valve Kit - Crankcase Heater - Oil Sight Glass - Mineral Oil	W	45.0	3830	4890	6600	9080	10180	11330	60.6	2.75	3Ph	MCC 6.6 RLA 4.7	31.6	35												
	P		1777	1962	2193	2432	2505	2546																		
	A		3.6	3.8	4.1	4.4	4.4	4.5																		
	W	50.0	3410	4400	6020	8400	9460	10680							66.5	3.00	3Ph	MCC 7.8 RLA 5.6	39.0	29						
	P		1774	1981	2249	2546	2638	2710																		
	A		3.6	3.8	4.1	4.4	4.5	4.6																		
	W	55.0	2860	3890	5380	7650	8670	9740													66.4	3.00	3Ph	MCC 8.2 RLA 5.9	42.0	31
	P		1754	1989	2298	2649	2760	2861																		
	A		3.6	3.8	4.1	4.5	4.7	4.8																		
W	45.0	4650	5870	7770	10490	11670	12940	73.7	3.50	3Ph	MCC 8.3 RLA 5.9	42.0	31													
P		2047	2255	2497	2764	2848	2920																			
A		4.2	4.3	4.6	4.9	5.0	5.1																			
W	50.0	4240	5390	7180	9770	10950	12150							72.1	3.50	3Ph	MCC 8.9 RLA 6.4	42.0	32							
P		2060	2293	2579	2883	2996	3088																			
A		4.1	4.4	4.7	5.0	5.1	5.3																			
W	55.0	3710	4860	6530	8980	10110	11270													72.1	3.50	3Ph	MCC 8.9 RLA 6.4	42.0	32	
P		2078	2328	2654	3013	3134	3256																			
A		4.2	4.4	4.8	5.2	5.4	5.5																			
W	45.0	4650	6150	7850	10600	11950	12850	72.1	3.50	3Ph	MCC 8.9 RLA 6.4	42.0	32													
P		1970	2200	2390	2560	2610	2620																			
A		4.2	4.4	4.7	4.9	4.9	5.0																			
W	50.0	4100	5550	7150	9800	11050	11900							72.1	3.50	3Ph	MCC 8.9 RLA 6.4	42.0	32							
P		1980	2270	2500	2740	2800	2840																			
A		4.2	4.5	4.8	5.1	5.2	5.3																			
W	55.0	3550	4950	6500	8950	10150	10950													72.1	3.50	3Ph	MCC 8.9 RLA 6.4	42.0	32	
P		1970	2310	2590	2900	2990	3040																			
A		4.2	4.6	4.9	5.3	5.5	5.5																			
W	45.0	5240	6600	8710	11730	13110	14580	72.1	3.50	3Ph	MCC 8.9 RLA 6.4	42.0	32													
P		2312	2533	2801	3076	3159	3222																			
A		4.6	4.9	5.1	5.4	5.5	5.6																			
W	50.0	4760	6030	8020	10950	12270	13700							72.1	3.50	3Ph	MCC 8.9 RLA 6.4	42.0	32							
P		2336	2595	2904	3241	3354	3446																			
A		4.6	4.9	5.2	5.6	5.7	5.9																			
W	55.0	4150	5430	7280	10060	11330	12690													72.1	3.50	3Ph	MCC 8.9 RLA 6.4	42.0	32	
P		2351	2631	2998	3407	3539	3670																			
A		4.5	4.9	5.4	5.8	6.0	6.2																			
W	45.0	5250	6850	8700	11800	13350	14500	72.1	3.50	3Ph	MCC 8.9 RLA 6.4	42.0	32													
P		2180	2440	2650	2890	2960	3000																			
A		4.6	4.9	5.1	5.4	5.5	5.6																			
W	50.0	4650	6200	7950	10900	12350	13450							72.1	3.50	3Ph	MCC 8.9 RLA 6.4	42.0	32							
P		2220	2510	2770	3080	3180	3240																			
A		4.6	5.0	5.3	5.7	5.8	5.9																			
W	55.0	4100	5600	7250	10000	11350	12350													72.1	3.50	3Ph	MCC 8.9 RLA 6.4	42.0	32	
P		2230	2570	2870	3240	3380	3460																			
A		4.6	5.0	5.4	5.9	6.1	6.2																			

Rating Conditions: 11.1K Superheat, 8.3Kb Subcooling, 35 Deg Ambient. / Supplied with: Internal Motor Protection, Rubber Mounting Kit
*Amps : MCC = maximum continuous current, RLA = MCC ÷ 1.4 (Copeland advises use RLA for contactor selection)

COPELAND COMPRESSORS

R22 Air Conditioning Reciprocating Compressors

Capacities R22

Airefrig Part Number		Refrigeration Capacity - <u>Watts</u>						Consumption - <u>Power</u>		Current - <u>Amps</u>				Kgs	
		Condensing Temperature °C						Displ cm ³ /r	Motor						
		Evaporating Temperature °C							HP	Type	*Amps	LRA			
						-10	-5	0	7.2	10	12.8				
CR47KQTFD267RM CR47KQTFD595 - Rotalock Valve Kit - Crankcase Heater - Oil Sight Glass - Mineral Oil	W		6130	7650	10000	13310	14770	16300	81.2	4.00	3Ph	MCC 11.5 RLA 8.2	50.0	35	
	P	45.0	2764	3014	3289	3544	3596	3627							
	A		5.6	5.9	6.2	6.5	6.7	6.7							
	W		5600	7040	9250	12470	13870	15330							
	P	50.0	2812	3106	3446	3773	3865	3937							
	A		5.6	6.0	6.4	6.9	7.0	7.1							
	W		4890	6360	8470	11510	12870	14290							
	P	55.0	2861	3180	3589	4014	4145	4246							
	A		5.7	6.1	6.6	7.2	7.4	7.5							
CR53KQTFD595 - Rotalock Valve Kit - Crankcase Heater - Oil Sight Glass - Mineral Oil	W		7060	8730	11270	14890	16490	18210	89.6	4.50	3Ph	MCC 12.7 RLA 9.1	55.0	35	
	P	45.0	3159	3437	3741	4012	4084	4136							
	A		6.5	6.9	7.2	7.6	7.7	7.8							
	W		6460	8070	10500	13960	15530	17170							
	P	50.0	3216	3546	3912	4274	4376	4458							
	A		6.5	7.0	7.5	8.0	8.1	8.2							
	W		5730	7340	9650	12950	14430	16000							
	P	55.0	3281	3637	4090	4540	4681	4792							
	A		6.5	7.1	7.7	8.3	8.5	8.7							
CRN50500TFD55R CRNQ0500TFD595 - Rotalock Valve Kit - Crankcase Heater - Oil Sight Glass - Mineral Oil	W		8370	10220	12970	16970	18860	20890	105.6	5.00	3Ph	MCC 13.5 RLA 9.6	65.0	42	
	P	45.0	3450	3783	4136	4458	4542	4604							
	A		8.0	8.4	8.9	9.5	9.6	9.7							
	W		7690	9500	12160	15990	17770	19720							
	P	50.0	3487	3878	4317	4755	4888	4990							
	A		8.0	8.6	9.2	9.8	10.0	10.2							
	W		6890	8680	11250	14930	16610	18430							
	P	55.0	3539	3948	4474	5025	5197	5348							
	A		8.0	8.6	9.4	10.2	10.5	10.8							

Rating Conditions: 11.1K Superheat, 8.3Kb Subcooling, 35 Deg Ambient. / Supplied with: Internal Motor Protection, Rubber Mounting Kit
*Amps : MCC = maximum continuous current, RLA = MCC ÷ 1.4 (Copeland advises use RLA for contactor selection)

Prices

Airefrig Part Number	List Price Excl GST
CR24KQPFT280BB	\$1,179.96
CR24KQTFD267RM	\$1,437.72
CR24K6PFJ595	\$1,419.64
CR24KQPFT267RM	\$1,419.64
CRD10200TFD561	\$1,147.56
CR28KQPFZ280BM	\$1,059.08

Airefrig Part Number	List Price Excl GST
CR32K6TFD595	\$1,347.76
CR33KQTFD267RM	\$1,347.76
CR37KQTFD267RM	\$1,478.62
CR38K6TFD595	\$1,478.62
CR41KQTFD267RM	\$1,570.12
CR42K6TFD595	\$1,570.12

Airefrig Part Number	List Price Excl GST
CR47KQTFD267RM	\$1,294.92
CR47KQTFD595	\$1,294.92
CR53KQTFD595	\$1,604.44
CRN50500TFD55R	\$1,785.36
CRNQ0500TFD595	\$1,785.36

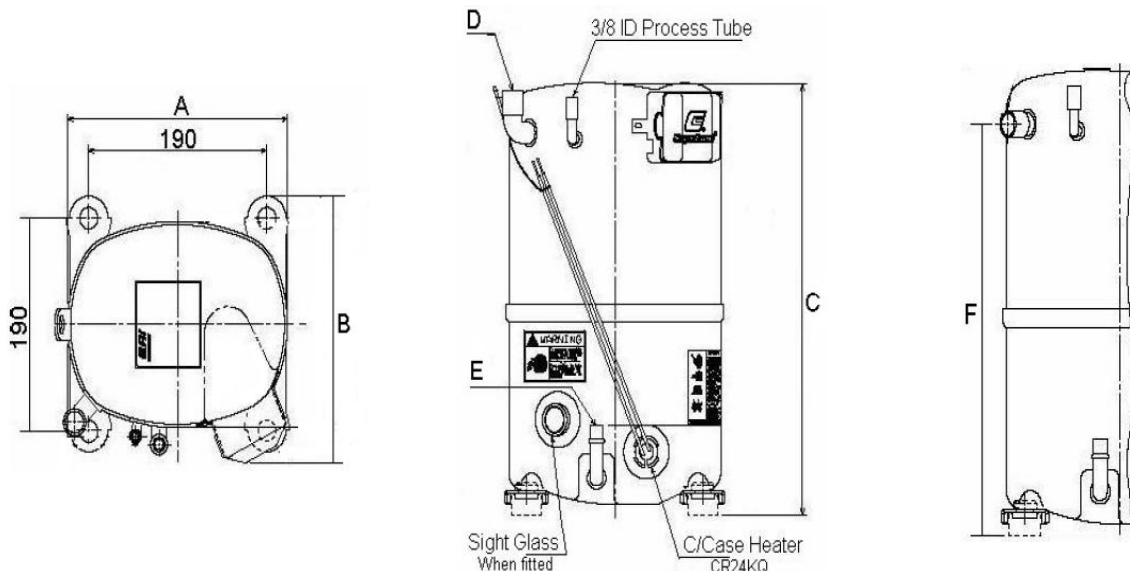
COPELAND COMPRESSORS

R22 Air Conditioning Reciprocating Compressors

Airefrig Part Number	A	B	C	F	Suction conn. D	Discharge Conn. E	Oil Charge Litres	Run Capacitor MFD/Volts	Crankcase Heater (Supplied)	Wiring Drg. No.
CR24KQPFT280BB *	235	235	350	300	5/8 stub tube	3/8 stub tube	1.27	35MFD 440V	018003702 CH-213 240V 58W Wrap Around	2
CR24KQPFT267RM CR24K6PFJ595	235	235	350	300	5/8 rotalock	3/8 rotalock	1.27	35MFD 440V	018003702 CH-213 240V 58W Wrap Around 018008800 40Watt 240V Wrap Around	2
CR24KQTFD267RM	235	235	348	310	5/8 rotalock	3/8 rotalock	1.27	-	018003702 CH-213 240V 58W Wrap Around	3
CRD10200TFD561	235	235	305	315	5/8 rotalock	3/8 rotalock	1.50	-	018003702 CH-213 240V 58W Wrap Around	4
CR28KQPZ280BM *	235	235	340	300	5/8 stub tube	3/8 stub tube	1.50	40MFD 440V	018003702 CH-213 240V 58W Wrap Around	2
CR32K6TFD595 CR33KQTFD267RM	235	235	360	310	3/4 rotalock	3/8 rotalock	1.12	-	018008800 40Watt 240V Wrap Around 918003105 40Watt 240/480/600V Insertion Type	3
CR37KQTFD267RM CR38K6TFD595	235	235	370	325	3/4 rotalock	3/8 rotalock	1.12	-	918003105 40Watt 240/480/600V Insertion Type 018008800 40Watt 240V Wrap Around	3
CR41KQTFD267RM CR42K6TFD595	235	235	380	332	3/4 rotalock	3/8 rotalock	1.12	-	918003105 40Watt 240/480/600V Insertion Type 018008800 40Watt 240V Wrap Around	3
CR47KQTFD267RM CR47KQTFD595	255	235	386	345	7/8 rotalock	1/2 rotalock	1.27	-	918003105 40Watt 240/480/600V Insertion Type 018008800 40Watt 240V Wrap Around	3
CR53KQTFD267RM	255	235	386	345	7/8 rotalock	1/2 rotalock	1.27	-	918003105 40Watt 240/480/600V Insertion Type	3
CRN50500TFD55R CRNQ0500TFD595	260	236	420	370	7/8 rotalock	1/2 rotalock	1.95	-	918003105 40Watt 240/480/600V Insertion Type 018008804 45Watt 240V Wrap Around	3

* Compressors not fitted with Oil Sight Glass

Supplied with: Internal Motor Protection, Rubber Mounting Kit

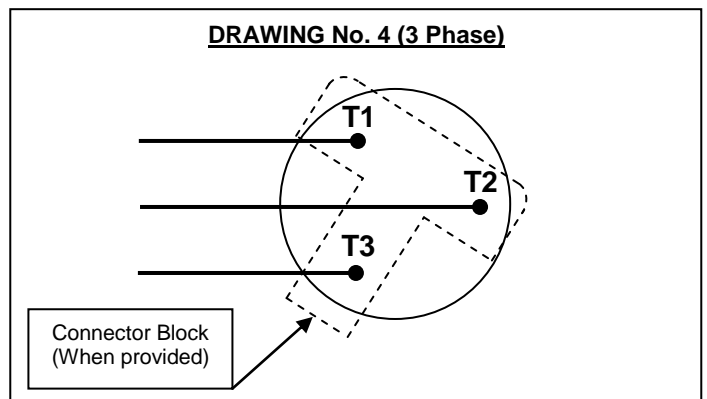
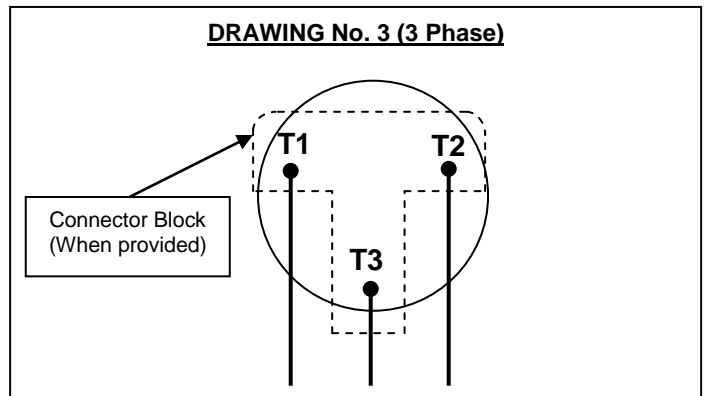
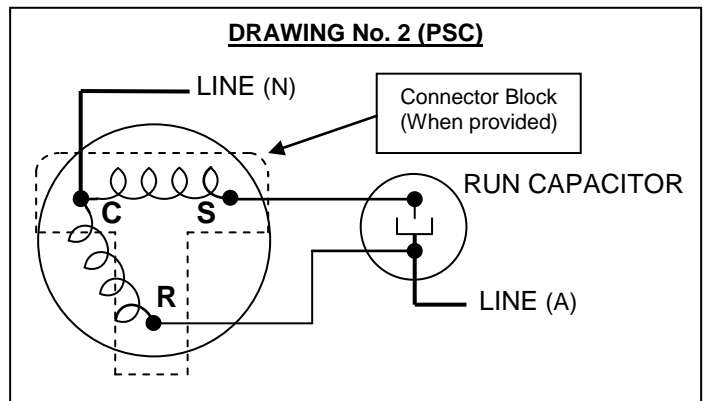
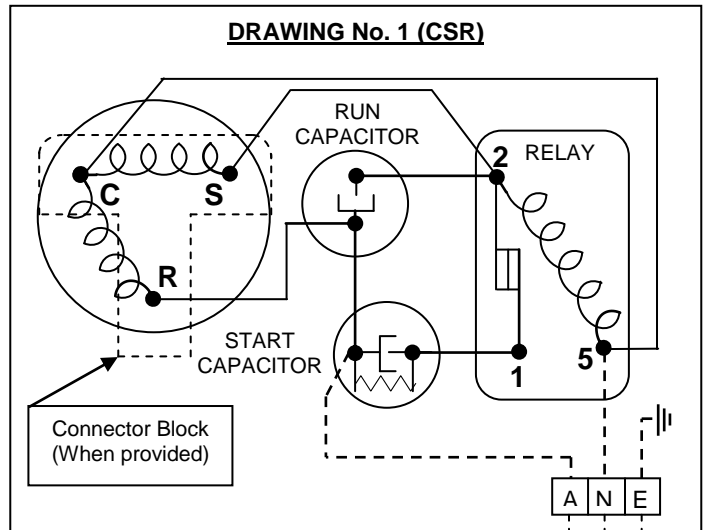


COPELAND COMPRESSORS

Electrical Details

Airefrig Part Number	Resistance (+/- 7%) OHMS	Drawing Number
CS Series		
CS10K6EPFJ-551 / 55R CS10K6EPFJ-595	Start 3.79 / Run 1.39	1
CS10K6EPFJ-583 / 58R		
CS12K6EPFJ-55R	Start 3.79 / Run 1.39	
CS14K6EPFJ-551 / 55R CS14K6EPFJ-595	Start 2.64 / Run 1.40	
CS14K6EPFJ-523 / 525 CS14K6EPFJ-545		
CS14K6ETFD-551 / 55R CS14K6ETFD-595	Line to Line 6.38	3
CS18K6EPFJ-551 / 55R CS18K6EPFJ-595	Start 2.98 / Run 1.14	1
CS18K6EPFJ-235 / 525		3
CS18K6ETFD-551 / 55R CS18K6ETFD-595	Line to Line 4.95	
CS20K6ETFD-551 / 55R CS20K6ETFD-595	Line to Line 4.11	
CS27K6ETFD-551 / 55R CS27K6ETFD-595	Line to Line 3.96	3
CS33K6ETFD-551 / 55R CS33K6ETFD-595	Line to Line 3.41	

CR - BR Series		
CR18KQPFZ-267BM / RM CR18K6PFJ595	Start 5.46 / Run 1.68 Start 3.62 / Run 1.74	1
CR24KQPFT-280BB CR24KQPFZ-267BM / RM CR24K6PFJ595	Start 5.01 / Run 1.24 Start 2.65 / Run 1.35	2 1
CR24KQTFD-267BM / RM CR24K6TFD-595	Line to Line 7.4 Line to Line 6.39	3
CRD10200TFD-561	Line to Line 7.34	4
CREQ0225PFJ-501	Start 3.42 / Run 1.46	2
CR28KQPFZ-280BM	Start 3.84 / Run 1.04	3
CR32K6TFD595	Line to Line 4.5	
CR33KQTFD-267BM / RM	Line to Line 5.05	
CR37KQTFD-267BM / RM	Line to Line 4.25	
CR38K6TFD595	Line to Line 3.78	
CR41KQTFD-267BM / RM	Line to Line 4.06	
CR42K6TFD595	Line to Line 3.45	
CR47KQTFD-267BM / RM CR47KQTFD595	Line to Line 3.22	4
CR53KQTFD-267BM / RM CR53KQTFD595	Line to Line 2.77	
CRN50500TFD551 / 55R CRNQ0500TFD595	Line to Line 2.47	
BRE40750TFD-551	Line to Line 1.50	4
BRG20900TFD-551	Line to Line 1.35	
BRH21000TFD-551	Line to Line 1.44	
BRK21200TFD-551	Line to Line 0.98	



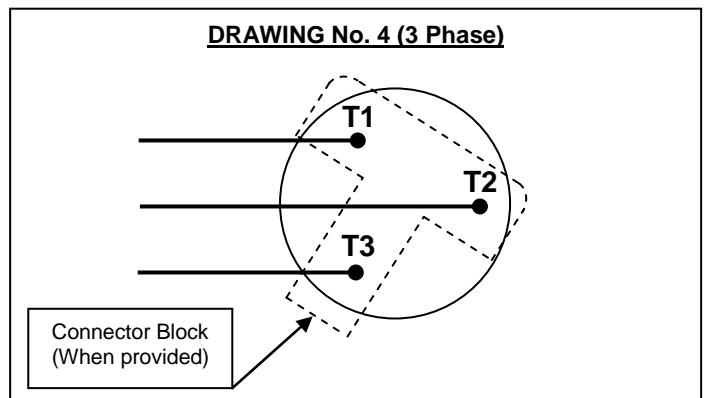
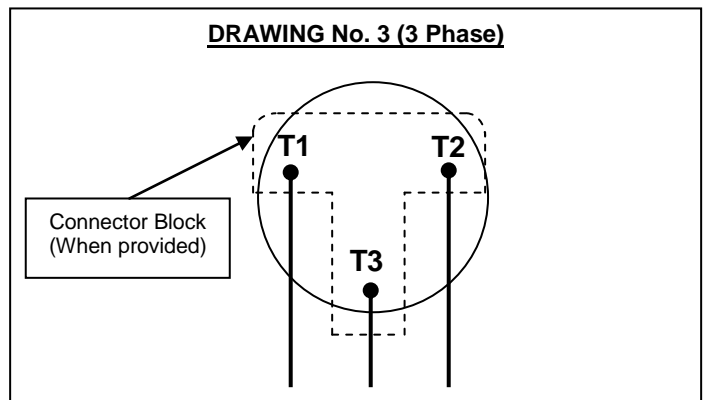
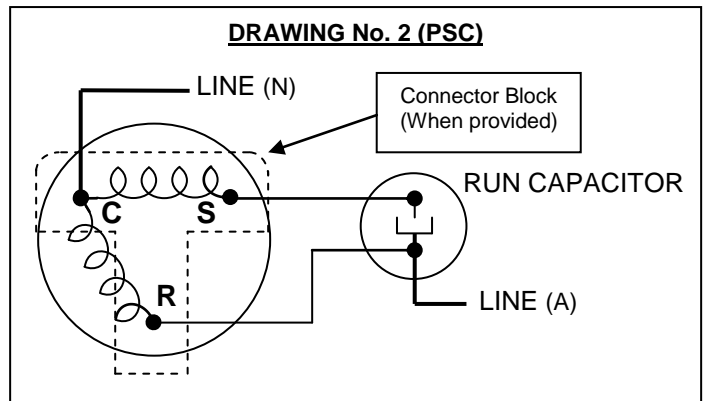
COPELAND COMPRESSORS

Electrical Details

Airefrig Part Number	Resistance (+/- 7%) OHMS	Drawing Number
ZB Series		
ZB45KCETFD-551	Line to Line 2.27	4
ZB58KQETFD-551	Line to Line 1.799	
ZB76KQETFD-551	Line to Line 1.227	

ZR Series		
ZR28K3EPFJ522	Start 2.23 / Run 1.20	2
ZR36K3EPFJ-522	Start 1.84 / Run 0.89	
ZR40K3EPFJ-522	Start 1.81 / Run 0.75	
ZR40K3ETFD-522	Line to Line 4.03	4
ZR45K3PFJ522		2
ZR47K3EPFJ-522	Start 1.67 / Run 0.59	
ZR48K3PFJ-522		
ZR48KCETFD-522	Line to Line 3.88	4
ZR54KCETFD-522	Line to Line 2.90	
ZR61KCETFD-522	Line to Line 2.75	
ZR61KCEPFZ-522	Start 1.89 / Run 0.41	2
ZR68KCEPFJ-522	Start 1.88 / Run 0.41	
ZR68KCETFD-522	Line to Line 2.27	
ZR72KCETFD-522 / 523	Line to Line 2.27	4
ZR81KCETFD-522 / 523	Line to Line 1.79	
ZR94KCETFD-523	Line to Line 1.59	
ZR108KCETFD-522 / 523	Line to Line 1.36	4
ZR125KCETFD-523	Line to Line 1.23	
ZR144KCETFD-523	Line to Line 1.23	
ZR160KCETFD-523	Line to Line 1.09	4
ZR16M3ETWD-551 / 961	Line to Line 0.83	
ZR190KCETFD-523	Line to Line 0.83	
ZR19M3ETWD-551 / 961	Line to Line 0.72	-
ZR250KCETWD-523	Line to Line 0.63	
ZR310KCETWD-523	Line to Line 0.51	
ZR380KCETWD-523	Line to Line 0.35	

ZP Series		
ZP57K3ETFD-522	Line to Line 2.47	4
ZP61KCETFD-522	Line to Line 2.80	
ZP67KCETFD-522	Line to Line 2.47	
ZP72KCETFD-522	Line to Line 2.47	
ZP83KCETFD-522	Line to Line 1.79	
ZP103KCETFD-522	Line to Line 1.36	
ZP120KCETFD-522	Line to Line 1.24	
ZP182KCETFD-522	Line to Line 0.83	



COPELAND COMPRESSORS

Selection Guide 3 Phase Contactors, Thermal & Electronic Overloads

Airefrig Part Number	3Ph Contactor	3Ph Thermal Overload	3Ph Electronic Overload <i>includes phase loss & phase imbalance protection</i>
CR24KQTFD267RM	MC9B240V (AC-3 Rating 9A)	MT323K4 (2.5 - 4.0 amps)	GMP223P5A (1.0 - 5.0 amps)
CRD10200TFD561	MC9B240V (AC-3 Rating 9A)	MT323K4 (2.5 - 4.0 amps)	GMP223P5A (1.0 - 5.0 amps)
CR32K6TFD595	MC9B240V (AC-3 Rating 9A)	MT323K6 (4.0 - 6.0 amps)	GMP223P22A (4.4 - 22.0 amps)
CR33KQTFD267RM	MC9B240V (AC-3 Rating 9A)	MT323K6 (4.0 - 6.0 amps)	GMP223P22A (4.4 - 22.0 amps)
CR37KQTFD267RM	MC9B240V (AC-3 Rating 9A)	MT323K8 (5.0 - 8.0 amps)	GMP223P22A (4.4 - 22.0 amps)
CR38K6TFD595	MC9B240V (AC-3 Rating 9A)	MT323K8 (5.0 - 8.0 amps)	GMP223P22A (4.4 - 22.0 amps)
CR41KQTFD267RM	MC12B240V (AC-3 Rating 12A)	MT323K9 (6.0 - 9.0 amps)	GMP223P22A (4.4 - 22.0 amps)
CR42K6TFD595	MC12B240V (AC-3 Rating 12A)	MT323K9 (6.0 - 9.0 amps)	GMP223P22A (4.4 - 22.0 amps)
CR47KQTFD267RM	MC12B240V (AC-3 Rating 12A)	MT323K10 (7.0 - 10.0 amps)	GMP223P22A (4.4 - 22.0 amps)
CR47KQTFD595	MC12B240V (AC-3 Rating 12A)	MT323K10 (7.0 - 10.0 amps)	GMP223P22A (4.4 - 22.0 amps)
CR53KQTFD595	MC12B240V (AC-3 Rating 12A)	MT323K10 (7.0 - 10.0 amps)	GMP223P22A (4.4 - 22.0 amps)
CRN50500TFD55R	MC12B240V (AC-3 Rating 12A)	MT323K13 (9.0 - 13.0 amps)	GMP223P22A (4.4 - 22.0 amps)
CRNQ0500TFD595	MC12B240V (AC-3 Rating 12A)	MT323K13 (9.0 - 13.0 amps)	GMP223P22A (4.4 - 22.0 amps)

CS14K6ETFD55R	MC9B240V (AC-3 Rating 9A)	MT323K6 (4.0 - 6.0 amps)	GMP223P22A (4.4 - 22.0 amps)
CS14K6ETFD595	MC9B240V (AC-3 Rating 9A)	MT323K6 (4.0 - 6.0 amps)	GMP223P22A (4.4 - 22.0 amps)
CS18K6ETFD55R	MC9B240V (AC-3 Rating 9A)	MT323K8 (5.0 - 8.0 amps)	GMP223P22A (4.4 - 22.0 amps)
CS18K6ETFD595	MC9B240V (AC-3 Rating 9A)	MT323K8 (5.0 - 8.0 amps)	GMP223P22A (4.4 - 22.0 amps)
CS20K6ETFD595	MC9B240V (AC-3 Rating 9A)	MT323K8 (5.0 - 8.0 amps)	GMP223P22A (4.4 - 22.0 amps)
CS27K6ETFD595	MC12B240V (AC-3 Rating 12A)	MT323K9 (6.0 - 9.0 amps)	GMP223P22A (4.4 - 22.0 amps)
CS33K6ETFD595	MC12B240V (AC-3 Rating 12A)	MT323K13 (9.0 - 13.0 amps)	GMP223P22A (4.4 - 22.0 amps)

ZP57K3ETFD522	MC12B240V (AC-3 Rating 12A)	MT323K10 (7.0 - 10.0 amps)	GMP223P22A (4.4 - 22.0 amps)
ZP61KCETFD522	MC12B240V (AC-3 Rating 12A)	MT323K10 (7.0 - 10.0 amps)	GMP223P22A (4.4 - 22.0 amps)
ZP67KCETFD522	MC18B240V (AC-3 Rating 18A)	MT323K13 (9.0 - 13.0 amps)	GMP223P22A (4.4 - 22.0 amps)
ZP72KCETFD522	MC18B240V (AC-3 Rating 18A)	MT323K13 (9.0 - 13.0 amps)	GMP223P22A (4.4 - 22.0 amps)
ZP83KCETFD522	MC18B240V (AC-3 Rating 18A)	MT323K18 (12.0 - 18.0 amps)	GMP223P22A (4.4 - 22.0 amps)
ZP103KCETFD522	MC18B240V (AC-3 Rating 18A)	MT323K18 (12.0 - 18.0 amps)	GMP223P22A (4.4 - 22.0 amps)
ZP120KCETFD522	MC22B240V (AC-3 Rating 22A)	MT323K22 (16.0 - 22.0 amps)	GMP223P22A (4.4 - 22.0 amps)
ZP182KCETFD522	MC32A240V (AC-3 Rating 32A)	MT323K32 (22.0 - 32.0 amps)	GMP403P40A (8.0 - 40.0 amps)

COPELAND COMPRESSORS

Selection Guide Contactors, Thermal Overloads & Fuses

Airefrig Part Number	3Ph Contactor	3Ph Thermal Overload	3Ph Electronic Overload <i>includes phase loss & phase imbalance protection</i>
ZR40K3ETFD522	MC9B240V (AC-3 Rating 9A)	MT323K8 (5.0 - 8.0 amps)	GMP223P22A (4.4 - 22.0 amps)
ZR48KCETFD522	MC12B240V (AC-3 Rating 12A)	MT323K9 (6.0 - 9.0 amps)	GMP223P22A (4.4 - 22.0 amps)
ZR54KCETFD522	MC12B240V (AC-3 Rating 12A)	MT323K9 (6.0 - 9.0 amps)	GMP223P22A (4.4 - 22.0 amps)
ZR61KCETFD522	MC12B240V (AC-3 Rating 12A)	MT323K13 (9.0 - 13.0 amps)	GMP223P22A (4.4 - 22.0 amps)
ZR68KCETFD522	MC12B240V (AC-3 Rating 12A)	MT323K13 (9.0 - 13.0 amps)	GMP223P22A (4.4 - 22.0 amps)
ZR72KCETFD522 / 523	MC12B240V (AC-3 Rating 12A)	MT323K13 (9.0 - 13.0 amps)	GMP223P22A (4.4 - 22.0 amps)
ZR81KCETFD522 / 523	MC18B240V (AC-3 Rating 18A)	MT323K18 (12.0 - 18.0 amps)	GMP223P22A (4.4 - 22.0 amps)
ZR94KCETFD522 / 523	MC18B240V (AC-3 Rating 18A)	MT323K18 (12.0 - 18.0 amps)	GMP223P22A (4.4 - 22.0 amps)
ZR108KCETFD522 / 523	MC22B240V (AC-3 Rating 22A)	MT323K22 (16.0 - 22.0 amps)	GMP223P22A (4.4 - 22.0 amps)
ZR125KCETFD522 / 523	MC32A240V (AC-3 Rating 32A)	MT323K22 (16.0 - 22.0 amps)	GMP403P40A (8.0 - 40.0 amps)
ZR144KCETFD522 / 523	MC32A240V (AC-3 Rating 32A)	MT323K25 (18.0 - 25.0 amps)	GMP403P40A (8.0 - 40.0 amps)
ZR160KCETFD523	MC32A240V (AC-3 Rating 32A)	MT323K25 (18.0 - 25.0 amps)	GMP403P40A (8.0 - 40.0 amps)
ZR16M3ETWD961	MC32A240V (AC-3 Rating 32A)	MT323K25 (18.0 - 25.0 amps)	GMP403P40A (8.0 - 40.0 amps)
ZR190KCETFD523	MC40A240V (AC-3 Rating 40A)	MT323K32 (22.0 - 32.0 amps)	GMP403P40A (8.0 - 40.0 amps)
ZR19M3ETWD961	MC40A240V (AC-3 Rating 40A)	MT323K32 (22.0 - 32.0 amps)	GMP403P40A (8.0 - 40.0 amps)
ZR250KCETWD523	MC50A240V (AC-3 Rating 50A)	MT633K50 (34.0 - 50.0 amps)	-
ZR310KCETWD523	MC50A240V (AC-3 Rating 50A)	MT633K50 (34.0 - 50.0 amps)	-
ZR380KCETWD523	MC65A240V (AC-3 Rating 65A)	MT633K65 (45.0 - 65.0 amps)	-



MC22B240V



MT323K1



GMP223P22A

COPELAND COMPRESSORS

Spare Parts

Airefrig Part Number	Relay	Start Capacitor	Run Capacitor	Crankcase Heater	Suction Service Valve	Discharge Service Valve	Suction Valve Gasket	Discharge Valve Gasket	
CS Series									
CS10K6EPFJ551 CS10K6EPFJ55R	040000154 (040-0166-14)	014003602 (014-0061-26) 130-156MFD 250V	014004810 (014-0064-06) 30MFD 370V	918003105 40Watt 240/480/600V Insertion Type	2605122030 1-1/4" 12UNF 3/4ODF	2605061620 1" 14UNF 3/8ODF	020002800	020002800	
CS10K6EPFJ595				018008800 40Watt 240V Wrap Around					
CS10K6EPFJ583 CS10K6EPFJ 58R				918003105 40Watt 240/480/600V Insertion Type					Stub Tube
CS12K6EPFJ551 CS12K6EPFJ 55R				918003105 40Watt 240/480/600V Insertion Type					Stub Tube
CS14K6EPFJ551 CS14K6EPFJ 55R	040000160 (040-0166-19)	014000851 (014-0061-04) 145-174MFD 220V	014003711 (014-0064-07) 35MFD 370V	918003105 40Watt 240/480/600V Insertion Type	2605122030 1-1/4" 12UNF 3/4ODF	2605061620 1" 14UNF 3/8ODF	020002800	020002800	
CS14K6EPFJ595				018008800 40Watt 240V Wrap Around					
CS14K6EPFJ235 CS14K6EPFJ525				018003702 CH-213 240V 58W Wrap Around					Stub Tubes
CS14K6EPFJ545				018008800 40Watt 240V Wrap Around					Stub Tubes
CS14K6ETFD551 CS14K6ETFD 55R	-	-	-	918003105 40Watt 240/480/600V Insertion Type	2605122030 1-1/4" 12UNF 3/4ODF	2605061620 1" 14UNF 3/8ODF	020002800	020002800	
CS14K6ETFD595				018008800 40Watt 240V Wrap Around					
CS18K6EPFJ551 CS18K6EPFJ55R				918003105 40Watt 240/480/600V Insertion Type					Stub Tubes
CS18K6EPFJ 595				018008800 40Watt 240V Wrap Around					Stub Tubes
CS18K6EPFJ235 CS18K6EPFJ525	040000155 (040-0166-15)	014003604 (014-0061-28) 145-174MFD 250V	014003736 (014-0054-36) 45MFD 370V	918003105 40Watt 240/480/600V Insertion Type	2605122030 1-1/4" 12UNF 3/4ODF	2605081620 1" 14UNF 1/2ODF	020002800	020002800	
CS18K6EPFJ595				018008800 40Watt 240V Wrap Around					
CS18K6EPFJ235 CS18K6EPFJ525				018003702 CH-213 240V 58W Wrap Around					Stub Tubes
CS18K6ETFD551 CS18K6ETFD55R				918003105 40Watt 240/480/600V Insertion Type					Stub Tubes
CS18K6ETFD595	-	-	-	018008800 40Watt 240V Wrap Around	2605122030 1-1/4" 12UNF 3/4ODF	2605081620 1" 14UNF 1/2ODF	020002800	020002800	
CS20K6ETFD551 CS20K6ETFD55R				918003105 40Watt 240/480/600V Insertion Type					Stub Tubes
CS20K6ETFD595				018008800 40Watt 240V Wrap Around					Stub Tubes
CS20K6EPFZ235 CS20K6EPFZ525				018003702 CH-213 240V 58W Wrap Around					Stub Tubes
CS20K6EPFZ545	040000154 (040-0166-14)	014000609 (014-0006-14) 216-259MFD 330V	014003712 (014-0064-08) 40MFD 370V	018008800 40Watt 240V Wrap Around	2605122030 1-1/4" 12UNF 3/4ODF	2605081620 1" 14UNF 1/2ODF	020002800	020002800	
CS27K6ETFD551 CS27K6ETFD55R				918003105 40Watt 240/480/600V Insertion Type					Stub Tubes
CS27K6ETFD595				018008800 40Watt 240V Wrap Around					Stub Tubes
CS33K6ETFD551 CS33K6ETFD55R				918003105 40Watt 240/480/600V Insertion Type					Stub Tubes
CS33K6ETFD595	-	-	-	018008800 40Watt 240V Wrap Around	2605142030 1-1/4" 12UNF 7/8ODF	2605081620 1" 14UNF 1/2ODF	020002800	020002800	

COPELAND COMPRESSORS

Spare Parts (cont'd)

Airefrig Part Number	Relay	Start Capacitor	Run Capacitor	Crankcase Heater	Suction Service Valve	Discharge Service Valve	Suction Valve Gasket	Discharge Valve Gasket
CR – BR Series								
CR18KQPFZ267BM CR18KQPFZ267RM	040000155 (040-0166-15)	014000611 (014-0006-16) 145-174MFD 330V	014004815 (014-0064-11) 25MFD 440V	018003702 CH-213 240V 58W Wrap Around	2605102030 1-1/4" 12UNF 5/8ODF	2605061620 1" 14UNF 3/8ODF	020002802	020002800
CR18K6PFJ595		014006127 88-106MFD 330V		018008800 40Watt 240V Wrap Around				
CRD10200TFD561	-	-	-	018003702 CH-213 240V 58W Wrap Around	Stub Tubes	Stub Tubes	Stub Tubes	Stub Tubes
CR24KQPFT280BB-PSC (supplied with run capacitor only)	-	-	-					
CR24KQPFT267BM CR24KQPFT267RM	040000155 (040-0166-15)	014003604 (014-0061-28) 145-174MFD 250V	35MFD 35MFD 440V	018008800 40Watt 240V Wrap Around	2605102030 1-1/4" 12UNF 5/8ODF	2605061620 1" 14UNF 3/8ODF	020002802	020002800
CR24K6PFJ595		014006121 108-130MFD 250V						
CR24KQTFD267RM CR24KQTFD267RM	-	-	-	018003702 CH-213 240V 58W Wrap Around	Stub Tubes	Stub Tubes	Stub Tubes	Stub Tubes
CR28KQPFZ280BM-PSC (supplied with run capacitor only)	-	-	40MFD 40MFD 440V	018008800 40Watt 240V Wrap Around	2605122030 1-1/4" 12UNF 3/4ODF	2605061620 1" 14UNF 3/8ODF	020002802	020002800
CR32K6TFD595	-	-	-					
CR33KQTFD267RM CR33KQTFD267RM	-	-	-	918003105 40Watt 240/480/600V Insertion Type	2605122030 1-1/4" 12UNF 3/4ODF	2605061620 1" 14UNF 3/8ODF	020002802	020002800
CR37KQTFD267BM CR37KQTFD267RM	-	-	-					
CR38K6TFD595	-	-	-	018008800 40Watt 240V Wrap Around	2605142030 1-1/4" 12UNF 7/8ODF	2605081620 1" 14UNF 1/2ODF	020002802	020002800
CR41KQTFD267BM CR41KQTFD267RM	-	-	-					
CR42K6TFD595	-	-	-	918003105 40Watt 240/480/600V Insertion Type	2605142030 1-1/4" 12UNF 7/8ODF	2605081620 1" 14UNF 1/2ODF	020002802	020002800
CR47KQTFD267BM CR47KQTFD267RM	-	-	-					
CR47KQTFD595	-	-	-	018008800 40Watt 240V Wrap Around	2605142030 1-1/4" 12UNF 7/8ODF	2605081620 1" 14UNF 1/2ODF	020002802	020002800
CR53KQTFD267BM CR53KQTFD267RM	-	-	-					
CR53KQTFD595	-	-	-	918003105 40Watt 240/480/600V Insertion Type	2605182835 1-3/4" 12UNF 1-1/8ODF	2605122030 1-1/4" 12UNF 3/4ODF	020002802	020002800
CRN50500TFD551 CRN50500TFD55R	-	-	-					
CRNQ0500TFD595	-	-	-	018008804 45Watt 240V Wrap Around	2605222835 1-3/4" 12UNF 1-3/8ODF	2605142030 1-1/4" 12UNF 7/8ODF	020002803	020002802
BRE40750TFD551	-	-	-					
BRG20900TFD551	-	-	-	018003600 CH-202 240V 70W Wrap Around	2605222835 1-3/4" 12UNF 1-3/8ODF	2605142030 1-1/4" 12UNF 7/8ODF	020002803	020002802
BRH21000TFD551	-	-	-					
BRK21200TFD551	-	-	-	-	-	-	-	-