

# COPELAND COMPRESSORS

## R404A (R507) Medium Temperature ZB Scroll Compressors

### Capacities R404A (R507)

Airefrig Part Number		Refrigeration Capacity - <u>Watts</u>						Consumption - <u>Power</u>			Current - <u>Amps</u>				Kgs
			Condensing Temperature °C						Displ cm <sup>3</sup> /r	Motor					
			Evaporating Temperature °C							HP	Type	*Amps	LRA		
		-15	-10	-5	0	5	7.2								
<b>ZB45KCETFD551</b> - Rotalock Valve Kit - Crankcase Heater - Oil Sight Glass - POE Oil	W	45.0	8300	10050	12100	14400	17100	18400	98.0	6.0	3Ph	MCC 14.2 RLA 13.1	74.0	40	
	P		4760	4750	4730	4700	4660	4640							
	A		9.5	9.5	9.5	9.5	9.4	9.4							
	W	50.0	7500	9100	10950	13100	15500	16700							
	P		5350	5350	5300	5300	5250	5200							
	A		10.3	10.3	10.3	10.3	10.2	10.2							
	W	55.0	6650	8100	9750	11700	13900	14950							
	P		6050	6000	6000	5950	5900	5850							
	A		11.3	11.3	11.2	11.2	11.1	11.1							
<b>ZB58KQETFD551</b> - Rotalock Valve Kit - Crankcase Heater - Oil Sight Glass - POE Oil	W	45.0	10750	13250	16050	19150	22700	24400	127.1	8.0	3Ph	MCC 23.0 RLA 16.4	95.0	60	
	P		6310	6340	6380	6410	6410	6390							
	A		12.1	12.15	12.25	12.3	12.35	12.3							
	W	50.0	9540	11950	14600	17500	20800	22300							
	P		7080	7070	7090	7110	7110	7100							
	A		12.95	13.0	13.1	13.15	13.15	13.15							
	W	55.0	8210	10550	13000	15750	18750	20200							
	P		7950	7910	7910	7910	7900	7880							
	A		14.0	14.0	14.05	14.1	14.1	14.1							
<b>ZB76KQETFD551</b> - Rotalock Valve Kit - Crankcase Heater - Oil Sight Glass - POE Oil	W	45.0	14650	17750	21300	25400	30000	32300	165.6	10.0	3Ph	MCC 28.0 RLA 20.4	118.0	66	
	P		8150	8250	8320	8390	8430	8450							
	A		15.05	15.2	15.3	15.4	15.45	15.5							
	W	50.0	13250	16150	19400	23100	27400	29400							
	P		9040	9140	9220	9290	9340	9350							
	A		16.2	16.35	16.5	16.6	16.65	16.7							
	W	55.0	11800	14450	17400	20800	24600	26500							
	P		10000	10100	10200	10300	10350	10350							
	A		17.5	17.65	17.8	17.95	18.05	18.05							

Rating Conditions: 18.3°C Return Gas, 0 K Subcooling, 35°C Ambient / Supplied with: Internal Motor Protection, Rubber Mounting Kit  
\*Amps : MCC = maximum continuous current, RLA = MCC ÷ 1.4 (Copeland advises use RLA for contactor selection)

### Prices

Airefrig Part Number	List Price Excl GST
ZB45KCETFD551	\$2,840.16

Airefrig Part Number	List Price Excl GST
ZB58KQETFD551	\$3,635.52

Airefrig Part Number	List Price Excl GST
ZB76KQETFD551	\$4,451.68

#### **IMPORTANT – WARNING TO BE CLEARLY UNDERSTOOD PRIOR TO RUNNING ANY SCROLL COMPRESSOR:**

- It is important that the SCROLL compressor is charged as quickly as possible by way of LIQUID REFRIGERANT INTO THE LIQUID LINE, this is to avoid insufficient volume of suction gas that would be detrimental to the compressor.
- **DO NOT VAPOUR CHARGE THE SYSTEM!**
- It is recommended the required refrigerant charge is bomb charged into the liquid side of the system.
- Topping up the system can be done carefully on the low side with liquid refrigerant through manifold service gauges.
- The **suction service valve** must NOT BE FULLY CLOSED at any time when the compressor is running.

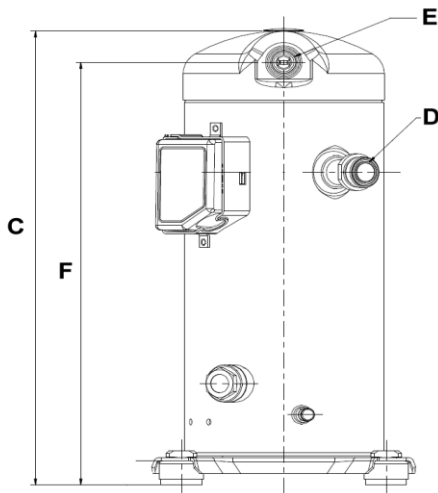
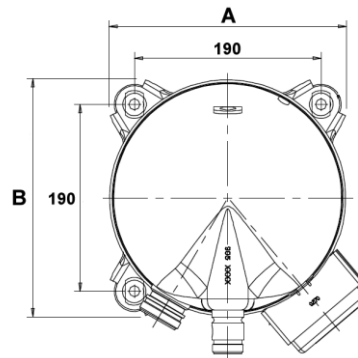
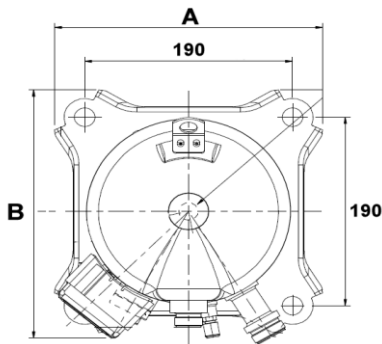
# COPELAND COMPRESSORS

## R404A (R507) Medium Temperature ZB Scroll Compressors

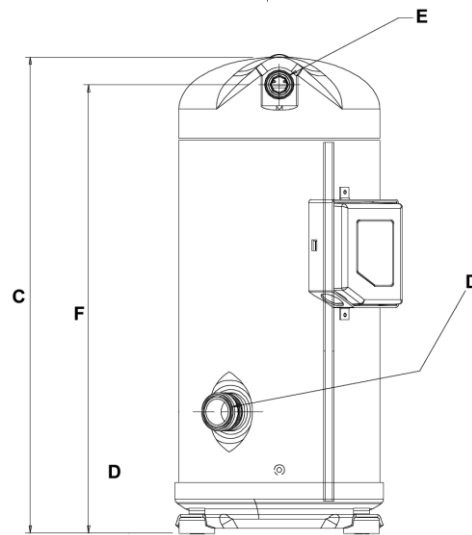
### Dimensions & Specifications

Airefrig Part Number	A	B	C	F	Service Valves & Connections		Oil Charge Litres	C/Case Heater Not Supplied
					Suction D	Discharge E		
ZB45KCETFD551	246	251	460	430	2605142030 1-1/4" 12UNF 7/8ODF	2605081620 1" 14UNF 1/2ODF	1.89	018005700 (CH-280) 240V 70W Wrap Around
ZB58KQETFD551	243	243	496	465	2605222835 1-3/4" 12UNF 1-3/8ODF	2605142030 1-1/4" 12UNF 7/8ODF	2.51	018004701 (CH-255) 240V 90W Wrap Around
ZB76KQETFD551	243	243	553	521	2605222835 1-3/4" 12UNF 1-3/8ODF	2605142030 1-1/4" 12UNF 7/8ODF	3.25	018004701 (CH-255) 240V 90W Wrap Around

Supplied with: Internal Motor Protection, Rubber Mounting Kit



ZB45



ZB58 - ZB76

# COPELAND COMPRESSORS

## R22 Air Conditioning Scroll Compressors

### Capacities R22

Airefrig Part Number		Refrigeration Capacity - <b>Watts</b>							Consumption – <b>Power</b>		Current – <b>Amps</b>				Kgs
		Condensing Temperature °C							Displ cm <sup>3</sup> /r	Motor					
		Evaporating Temperature °C								HP	Type	*Amps	LRA		
		-10	-5	0	7.2	10	12.8								
<b>ZR28K3EPFJ522</b> - Stub Tubes - Run Capacitor (PSC) - POE Oil	W	45.0	3835	4630	5820	7530	8320	9160	39.2	2.33	PSC	MCC 18.0 RLA 12.9	61.0	28	
	P		1850	1832	1803	1767	1767	1756							
	A		8.9	8.8	8.7	8.5	8.5	8.5							
	W	50.0	3640	4410	5560	7220	8000	8800							
	P		2060	2037	2007	1973	1953	1953							
	A		9.8	9.7	9.6	9.4	9.3	9.3							
	W	55.0		4122	5240	6840	7590	8380							
	P			2295	2257	2214	2194	2184							
	A			10.9	10.7	10.5	10.4	10.3							
<b>ZR36K3EPFJ522</b> - Stub Tubes - Run Capacitor (PSC) - POE Oil	W	45.0	4960	5950	7460	9640	10630	11700	49.49	3.0	PSC	MCC 23.0 RLA 16.4	82.0	30	
	P		2260	2250	2230	2193	2182	2172							
	A		11.1	11.1	11.0	10.8	10.8	10.7							
	W	50.0	4660	5630	7115	9230	10200	11230							
	P		2515	2500	2480	2444	2434	2423							
	A		12.2	12.1	12.0	12.0	11.9	11.8							
	W	55.0		5245	6690	8750	9680	10690							
	P			2806	2783	2750	2730	2720							
	A			13.5	13.4	13.2	13.1	13.0							
<b>ZR40K3EPFJ522</b> - Stub Tubes - Run Capacitor (PSC) - POE Oil	W	45.0	5370	6470	8155	10570	11640	12830	54.22	3.33	PSC	MCC 24.0 RLA 17.1	100.0	31	
	P		2505	2486	2458	2432	2421	2411							
	A		12.6	12.5	12.4	12.4	12.4	12.3							
	W	50.0	5090	6155	7790	10170	11230	12380							
	P		2812	2781	2743	2699	2689	2679							
	A		13.9	13.8	13.6	13.5	13.4	13.4							
	W	55.0		5745	7340	9650	10695	11795							
	P			3142	3091	3033	3013	2993							
	A			15.3	15.1	14.9	14.8	14.8							
<b>ZR40K3ETFD522</b> - Stub Tubes - POE Oil	W	45.0	5430	6520	8180	10570	11640	12770	54.22	3.33	3Ph	MCC 9.0 RLA 6.4	46.0	30	
	P		2468	2445	2411	2370	2359	2349							
	A		4.7	4.7	4.7	4.7	4.7	4.6							
	W	50.0	5115	6180	7820	10145	11175	12290							
	P		2776	2751	2710	2658	2648	2638							
	A		5.1	5.1	5.0	4.9	4.9	4.9							
	W	55.0		5800	7370	9650	10665	11740							
	P			3111	3061	3003	2993	2972							
	A			5.5	5.4	5.4	5.4	5.4							

Rating Conditions: 11.1K Superheat, 8.3Kb Subcooling, 35 Deg Ambient / Supplied with: Internal Motor Protection, Rubber Mounting Kit  
\*Amps : MCC = maximum continuous current, RLA = MCC ÷ 1.4 (Copeland advises use RLA for contactor selection)

### **IMPORTANT – WARNING TO BE CLEARLY UNDERSTOOD PRIOR TO RUNNING ANY SCROLL COMPRESSOR:**

- It is important that the SCROLL compressor is charged as quickly as possible by way of LIQUID REFRIGERANT INTO THE LIQUID LINE, this is to avoid insufficient volume of suction gas that would be detrimental to the compressor.
- **DO NOT VAPOUR CHARGE THE SYSTEM!**
- It is recommended the required refrigerant charge is bomb charged into the liquid side of the system.
- Topping up the system can be done carefully on the low side with liquid refrigerant through manifold service gauges.
- The **suction service valve** must NOT BE FULLY CLOSED at any time when the compressor is running.

# COPELAND COMPRESSORS

## R22 Air Conditioning Scroll Compressors

### Capacities R22

Airefrig Part Number		Refrigeration Capacity - <b>Watts</b>							Consumption – <b>Power</b>			Current – <b>Amps</b>			
				Condensing Temperature °C						Displ cm <sup>3</sup> /r	Motor				Kgs
				Evaporating Temperature °C							HP	Type	*Amps	LRA	
				-10	-5	0	7.2	10	12.8						
<b>ZR47K3EPFJ522</b> - Stub Tubes - Run Capacitor (PSC) - POE Oil	W	45.0	6650	8200	9900	12700	14050	15200	63.32	4.0	PSC	MCC 27.0	114.0	32	
	P		2780	2770	2770	2800	2820	2850							
	A		14.0	14.0	14.0	14.1	14.2	14.3							
	W	50.0	6250	7700	9350	12050	13350	14500							
	P		3140	3120	3110	3120	3140	3160							
	A		15.4	15.4	15.4	15.4	15.5	15.6							
	W	55.0		7200	8800	11400	12650	13750							
	P			3540	3520	3510	3520	3530							
	A			17.1	17.0	17.0	17.0	17.1							
<b>ZR48K3PFJ522</b> - Stub Tubes - Run Capacitor (PSC) - Mineral Oil	W	45.0	6910	8155	10060	12830	14070	15390	65.49	4.0	PSC	MCC 27.0	114.0	33	
	P		2880	2880	2890	2920	2940	2970							
	A		14.8	14.8	14.8	14.9	15.1	15.2							
	W	50.0	6560	7790	9660	12320	13555	14840							
	P		3270	3260	3250	3260	3280	3300							
	A		16.2	16.2	16.1	16.2	16.3	16.4							
	W	55.0		7330	9140	11740	12925	14170							
	P			3710	3690	3680	3690	3700							
	A			17.9	17.8	17.8	17.8	17.9							
<b>ZR48KCETFD522</b> - Stub Tubes - POE Oil	W	45.0	6910	8155	10060	12830	14070	15390	65.49	4.0	3Ph	MCC 11.0	50.0	30	
	P		2811	2824	2858	2910	2952	2993							
	A		5.5	5.5	5.5	5.6	5.7	5.7							
	W	50.0	6560	7790	9660	12320	13555	14840							
	P		3185	3183	3198	3241	3272	3303							
	A		5.9	5.9	6.0	6.0	6.0	6.1							
	W	55.0		7330	9140	11740	12925	14170							
	P			3627	3622	3650	3660	3690							
	A			6.6	6.6	6.6	6.6	6.7							
<b>ZR54KCETFD522</b> - Stub Tubes - POE Oil	W	45.0	7640	9060	11190	14210	15590	17090	75.6	4.50	3Ph	MCC 11.6	61.8	36	
	P		3180	3211	3250	3284	3305	3315							
	A		6.3	6.3	6.4	6.4	6.5	6.5							
	W	50.0	7240	8640	10710	13670	15020	16450							
	P		3502	3548	3586	3630	3640	3661							
	A		6.7	6.7	6.8	6.9	7.0	7.0							
	W	55.0		8140	10170	13040	14350	15710							
	P			3918	3976	4024	4044	4054							
	A			7.2	7.3	7.4	7.4	7.5							

Rating Conditions: 11.1K Superheat, 8.3Kb Subcooling, 35 Deg Ambient / Supplied with: Internal Motor Protection, Rubber Mounting Kit  
\*Amps : MCC = maximum continuous current, RLA = MCC ÷ 1.4 (Copeland advises use RLA for contactor selection)

#### IMPORTANT – WARNING TO BE CLEARLY UNDERSTOOD PRIOR TO RUNNING ANY SCROLL COMPRESSOR:

- It is important that the SCROLL compressor is charged as quickly as possible by way of LIQUID REFRIGERANT INTO THE LIQUID LINE, this is to avoid insufficient volume of suction gas that would be detrimental to the compressor.
- **DO NOT VAPOUR CHARGE THE SYSTEM!**
- It is recommended the required refrigerant charge is bomb charged into the liquid side of the system.
- Topping up the system can be done carefully on the low side with liquid refrigerant through manifold service gauges.
- The **suction service valve** must NOT BE FULLY CLOSED at any time when the compressor is running.

# COPELAND COMPRESSORS

## R22 Air Conditioning Scroll Compressors

### Capacities R22

Airefrig Part Number		Refrigeration Capacity - <u>Watts</u>							Consumption – <u>Power</u>		Current – <u>Amps</u>				Kgs
		Condensing Temperature °C							Displ cm <sup>3</sup> /r	Motor					
		Evaporating Temperature °C								HP	Type	*Amps	LRA		
		-10	-5	0	7.2	10	12.8								
<b>ZR61KCEPFZ522</b> - Stub Tubes - Run Capacitor (PSC) - POE Oil  Optional items for CSR 040000169 relay 014000610 start cap 014004820 run cap	W	45.0	8655	10255	12680	16100	17590	19145	82.59	5.10	PSC	MCC 40.0  RLA 28.6	150.0	41	
	P		3842	3515	3578	3721	3814	3939							
	A		17.1	17.2	17.5	18.2	18.5	19.0							
	W	50.0	8225	9770	12145	15500	16965	18485							
	P		3921	3947	3998	4121	4202	4315							
	A		18.9	19.0	19.2	19.7	20.1	20.7							
	W	55.0		9245	11530	14780	16200	17710							
	P			4474	4504	4600	4681	4782							
	A			21.4	21.5	21.9	22.2	22.6							
<b>ZR61KCETFD522</b> - Stub Tubes - POE Oil	W	45.0	8660	10260	12680	16100	17590	19140	82.59	5.10	3Ph	MCC 14.0  RLA 10.0	65.5	36	
	P		3450	3482	3536	3669	3762	3866							
	A		6.8	6.9	6.9	7.2	7.3	7.4							
	W	50.0	8220	9770	12140	15500	16960	18480							
	P		3850	3875	3924	4039	4121	4223							
	A		7.4	7.4	7.4	7.6	7.7	7.9							
	W	55.0		9250	11530	14780	16200	17710							
	P			4363	4390	4479	4550	4641							
	A			8.1	8.1	8.2	8.3	8.5							
<b>ZR68KCEPFJ522</b> - Stub Tubes - Run Capacitor (PSC) - POE Oil  Optional items for CSR 040000169 relay 014000610 start cap 014004820 run cap	W	45.0	9770	11530	14210	18040	19790	21620	96.4	5.75	PSC	MCC 43.0  RLA 30.7	150	44	
	P		4136	4141	4167	4240	4282	4344							
	A		20.3	20.3	20.4	20.8	20.9	21.1							
	W	50.0	9280	11000	13620	17370	19060	20860							
	P		4632	4609	4609	4652	4693	4744							
	A		22.3	22.3	22.3	22.5	22.6	22.8							
	W	55.0		10320	12880	16520	18140	19910							
	P			5232	5184	5187	5207	5247							
	A			24.9	24.8	24.8	24.9	25.0							
<b>ZR68KCETFD522</b> - Stub Tubes - POE Oil	W	45.0	9400	11280	14130	18240	20130	22160	96.4	5.75	3Ph	MCC 14.0  RLA 10.0	67.0	44	
	P		4012	4001	4004	4022	4043	4064							
	A		7.4	7.4	7.4	7.5	7.5	7.5							
	W	50.0	8880	10730	13530	17570	19400	21380							
	P		4504	4484	4468	4479	4489	4509							
	A		8.0	8.0	8.0	8.0	8.0	8.1							
	W	55.0		10020	12750	16660	18460	20400							
	P			5037	5012	5015	5015	5035							
	A			8.7	8.7	8.7	8.7	8.7							

Rating Conditions: 11.1K Superheat, 8.3Kb Subcooling, 35 Deg Ambient / Supplied with: Internal Motor Protection, Rubber Mounting Kit  
 \*Amps : MCC = maximum continuous current, RLA = MCC ÷ 1.4 (Copeland advises use RLA for contactor selection)

### **IMPORTANT – WARNING TO BE CLEARLY UNDERSTOOD PRIOR TO RUNNING ANY SCROLL COMPRESSOR:**

- It is important that the SCROLL compressor is charged as quickly as possible by way of LIQUID REFRIGERANT INTO THE LIQUID LINE, this is to avoid insufficient volume of suction gas that would be detrimental to the compressor.
- **DO NOT VAPOUR CHARGE THE SYSTEM!**
- It is recommended the required refrigerant charge is bomb charged into the liquid side of the system.
- Topping up the system can be done carefully on the low side with liquid refrigerant through manifold service gauges.
- The **suction service valve** must NOT BE FULLY CLOSED at any time when the compressor is running.

# COPELAND COMPRESSORS

## R22 Air Conditioning Scroll Compressors

### Capacities R22

Airefrig Part Number		Refrigeration Capacity - <u>W</u> atts							Consumption - <u>P</u> ower		Current - <u>A</u> mps				Kgs					
			Condensing Temperature °C						Displ cm <sup>3</sup> /r	Motor										
			Evaporating Temperature °C							HP	Type	*Amps	LRA							
			-10	-5	0	7.2	10	12.8												
<b>ZR72KCETFD522</b> - Stub Tubes - POE Oil	W	45.0	10040	11990	14940	19170	21090	23120	101.2	6.00	3Ph	MCC 14.0 RLA 10.0	67.0	39						
	P		4126	4141	4165	4219	4251	4292												
	A		7.5	7.5	7.5	7.6	7.6	7.7												
<b>ZR72KCETFD523</b> - Rotalock Valve Kit - POE Oil	W	50.0	9500	11410	14290	18450	20320	22290												
	P		4627	4634	4647	4683	4703	4734												
	A		8.1	8.1	8.1	8.2	8.2	8.2												
<b>ZR81KCETFD522</b> - Stub Tubes - POE Oil	W	45.0	11050	13240	16590	21260	23290	25400							114.3	6.75	3Ph	MCC 17.0 RLA 12.1	101.0	40
	P		4671	4708	4755	4833	4864	4916												
	A		9.6	9.6	9.7	9.8	9.9	9.9												
<b>ZR81KCETFD523</b> - Rotalock Valve Kit - POE Oil	W	50.0	10460	12570	15830	20490	22550	24670												
	P		5169	5204	5248	5317	5348	5389												
	A		10.1	10.1	10.2	10.3	10.3	10.4												
<b>ZR81KCTFD523</b> - Rotalock Valve Kit - Mineral Oil	W	55.0	11770	14900	19480	21500	23620	131.6	8.00	3Ph	MCC 23.0 RLA 16.4	95.0	59							
	P		5793	5836	5894	5925	5955													
	A		10.8	10.9	11.0	11.1	11.1													
<b>ZR94KCETFD522</b> - Stub Tubes - POE Oil	W	45.0	13360	15930	19790	25290	27800							30450						
	P		5602	5604	5620	5685	5737							5809						
	A		10.7	10.7	10.8	10.9	10.9							11.0						
<b>ZR94KCETFD523</b> - Rotalock Valve Kit - POE Oil	W	50.0	12540	15110	18930	24360	26820							29430						
	P		6237	6224	6222	6258	6299							6350						
	A		11.6	11.6	11.6	11.6	11.7							11.8						
<b>ZR108KCETFD522</b> - Stub Tubes - POE Oil	W	45.0	15410	18230	22530	28730	31550	34540	152.9	9.00	3Ph	MCC 24.2 RLA 17.3	114.0	64						
	P		6365	6404	6464	6579	6641	6724												
	A		12.0	12.0	12.1	12.2	12.3	12.4												
<b>ZR108KCETFD523</b> - Rotalock Valve Kit - POE Oil	W	50.0	14660	17430	21630	27710	30430	33360												
	P		7030	7055	7099	7178	7229	7290												
	A		12.8	12.8	12.8	12.9	13.0	13.1												
<b>ZR125KCETFD522</b> - Stub Tubes - POE Oil	W	45.0	17890	21080	25950	32870	35950	39190							171.4	10.00	3Ph	MCC 26.9 RLA 19.2	125.0	64
	P		7400	7457	7524	7639	7691	7774												
	A		13.7	13.7	13.8	14.0	14.0	14.1												
<b>ZR125KCETFD523</b> - Rotalock Valve Kit - POE Oil	W	50.0	17110	20200	24950	31750	34760	37940												
	P		8165	8216	8275	8354	8405	8456												
	A		14.6	14.6	14.7	14.9	14.9	15.0												
<b>ZR125KCETFD523</b> - Rotalock Valve Kit - POE Oil	W	55.0	19080	23680	30310	33270	36370	171.4	10.00	3Ph	MCC 26.9 RLA 19.2	125.0	64							
	P		9130	9170	9231	9261	9301													
	A		15.9	16.0	16.1	16.1	16.2													

Rating Conditions: 11.1K Superheat, 8.3Kb Subcooling, 35 Deg Ambient / Supplied with: Internal Motor Protection, Rubber Mounting Kit  
\*Amps : MCC = maximum continuous current, RLA = MCC ÷ 1.4 (Copeland advises use RLA for contactor selection)

# COPELAND COMPRESSORS

## R22 Air Conditioning Scroll Compressors

### Capacities R22

Airefrig Part Number		Refrigeration Capacity - <u>W</u> atts							Consumption - <u>P</u> ower		Current - <u>A</u> mps				Kgs
				Condensing Temperature °C					Displ cm <sup>3</sup> /r	Motor					
				Evaporating Temperature °C						HP	Type	*Amps	LRA		
				-10	-5	0	7.2	10						12.8	
<b>ZR144KCETFD522</b> - Stub Tubes - POE Oil	W	45.0	20500	24230	29850	37800	41280	44910	197.6	12.00	3Ph	MCC 31.0 RLA 22.1	125.0	63	
	P		8309	8363	8441	8595	8699	8834							
	A		17.2	17.3	17.4	17.7	17.8	18.1							
<b>ZR144KCETFD523</b> - Rotalock Valve Kit - POE Oil	W	50.0	19370	22970	28500	36340	39770	43380							
	P		9146	9205	9261	9366	9448	9550							
	A		18.5	18.5	18.6	18.8	18.9	19.1							
	W	55.0	21480	26800	34430	37820	41380								
	P		10194	10244	10313	10363	10444								
	A		20.1	20.2	20.3	20.4	20.5								
<b>ZR160KCETFD523</b> - Rotalock Valve Kit - POE Oil	W	45.0	21400	26800	33000	42000	46500	50500	209.1	13.00	3Ph	MCC 35.0 RLA 25.0	140.0	65	
	P		8900	9000	9150	9350	9400	9400							
	A		17.0	17.1	17.2	17.4	17.5	17.7							
	W	50.0	19200	24800	31000	40000	44500	48000							
	P		10000	10000	10100	10300	10400	10400							
	A		18.5	18.6	18.7	18.8	18.9	19.0							
	W	55.0	22300	28300	37500	42000	45500								
	P		11300	11300	11400	11500	11500								
	A		20.3	20.4	20.5	20.6	20.6								
<b>ZR16M3ETWD961</b> - Rotalock Valve Kit - Crankcase Heater - Oil Sight Glass - POE Oil	W	45.0	21640	25660	31660	40340	44320	48610	211.9	13.00	3Ph	MCC 38.1 RLA 27.2	167.0	103	
	P		9244	9288	9314	9333	9343	9374							
	A		17.0	17.0	16.9	16.9	16.9	17.0							
	W	50.0	20490	24500	30420	38860	42730	46850							
	P		10138	10204	10235	10235	10225	10235							
	A		18.0	18.1	18.0	18.0	18.0	18.0							
	W	55.0	22950	28800	37010	40720	44690								
	P		11263	11326	11324	11313	11303								
	A		19.4	19.4	19.3	19.3	19.3								
<b>ZR190KCETFD523</b> - Rotalock Valve Kit - POE Oil	W	45.0	25300	31500	39000	50000	55500	60500	249.1	15.00	3PH	MCC 42.0 RLA 30.0	174.0	67	
	P		10900	11000	11100	11200	11300	11300							
	A		21.9	22.1	22.2	22.4	22.4	22.5							
	W	50.0	23000	29400	36500	47500	53000	57500							
	P		12100	12200	12300	12400	12500	12500							
	A		23.5	23.7	23.8	24.0	24.0	24.1							
	W	55.0	26700	33500	44500	50000	54500								
	P		13600	13700	13800	13800	13800								
	A		25.5	25.7	25.8	25.9	25.9								
<b>ZR19M3ETWD961</b> - Rotalock Valve Kit - Crankcase Heater - Oil Sight Glass - POE Oil	W	45.0	26500	31340	38640	49140	53930	59070	250.6	15.00	3Ph	MCC 37.0 RLA 26.4	189.0	119	
	P		11084	11123	11133	11151	11172	11203							
	A		20.7	20.8	20.8	20.8	20.9	20.9							
	W	50.0	25300	30100	37270	47510	52120	57080							
	P		12219	12293	12334	12331	12342	12352							
	A		22.0	22.1	22.2	22.2	22.2	22.2							
	W	55.0	28580	35540	45410	49850	54600								
	P		13631	13707	13730	13730	13720								
	A		23.8	23.9	24.0	24.0	24.0								

Rating Conditions: 11.1K Superheat, 8.3Kb Subcooling, 35 Deg Ambient / Supplied with: Internal Motor Protection, Rubber Mounting Kit  
\*Amps : MCC = maximum continuous current, RLA = MCC ÷ 1.4 (Copeland advises use RLA for contactor selection)

# COPELAND COMPRESSORS

## R22 Air Conditioning Scroll Compressors

### Capacities R22

Airefrig Part Number		Refrigeration Capacity - <u>Watts</u>							Consumption – <u>Power</u>		Current – <u>Amps</u>			
		Condensing Temperature °C							Displ cm <sup>3</sup> /r	Motor				Kgs
		Evaporating Temperature °C								HP	Type	*Amps	LRA	
		-10	-5	0	7.2	10	12.8							
<b>ZR250KCETWD523</b> - Rotalock Valve Kit - Crankcase Heater - Oil Sight Glass - POE Oil	W		34500	42000	51000	65000	72000	78000	325.0	20.00	3Ph	MCC 47.0 RLA 33.6	225.0	140
	P	45.0	14200	14300	14400	14700	14800	14900						
	A		24.8	25.0	25.2	25.4	25.6	25.7						
	W		32000	39500	48500	62000	69000	75000						
	P	50.0	15800	15900	16000	16200	16300	16300						
	A		26.9	27.1	27.2	27.5	27.6	27.7						
	W		37000	45500	59000	65500	71500							
	P	55.0	17700	17800	17900	18000	18100							
	A		29.5	29.7	29.9	30.0	30.0							
<b>ZR310KCETWD523</b> - Rotalock Valve Kit - Crankcase Heater - Oil Sight Glass - POE Oil	W		41000	50000	60000	76500	84500	92000	410.0	25.00	3Ph	MCC 58.0 RLA 41.4	272.0	185
	P	45.0	15900	16200	16400	16700	16800	16800						
	A		28.9	29.2	29.5	29.8	30.0	30.1						
	W		39000	47500	57000	73000	81000	88000						
	P	50.0	17700	17900	18100	18400	18500	18600						
	A		31.2	31.5	31.8	32.2	32.3	32.4						
	W		45000	54000	69500	77500	84000							
	P	55.0	19800	20000	20300	20400	20500							
	A		34.1	34.4	34.9	35.0	35.2							
<b>ZR380KCETWD523</b> - Rotalock Valve Kit - Crankcase Heater - Oil Sight Glass - POE Oil	W		53500	65500	79000	100000	110500	119000	502.0	30	3Ph	MCC 76.0 RLA 54.3	310	177
	P	45.0	20900	21100	21400	22100	22500	22800						
	A		37.2	37.6	38.0	38.9	39.4	39.9						
	W		50000	61500	75000	96000	105500	114500						
	P	50.0	23200	23400	23700	24300	24600	24900						
	A		40.4	40.7	41.1	42.0	42.4	42.9						
	W		57500	70500	91000	100500	109000							
	P	55.0	26000	26300	26800	27100	27400							
	A		44.4	44.7	45.5	45.9	46.3							

Rating Conditions: 11.1K Superheat, 8.3Kb Subcooling, 35 Deg Ambient / Supplied with: Internal Motor Protection, Rubber Mounting Kit  
\*Amps : MCC = maximum continuous current, RLA = MCC ÷ 1.4 (Copeland advises use RLA for contactor selection)

### Prices

Airefrig Part Number	List Price Excl GST
ZR28K3EPFJ522	\$1,194.54
ZR36K3EPFJ522	\$1,294.88
ZR40K3EPFJ522	\$1,308.32
ZR40K3ETFD522	\$1,262.83
ZR47K3EPFJ522	\$1,766.72
ZR48K3PFJ522	\$1,761.08
ZR48KCETFD522	\$1,720.48
ZR54KCETFD522	\$1,702.80
ZR61KCEPFZ522	P.O.A.
ZR61KCETFD522	\$1,742.84
ZR68KCEPFJ522	\$1,918.00

Airefrig Part Number	List Price Excl GST
ZR68KCETFD522	\$1,808.72
ZR72KCETFD522	\$1,857.60
ZR72KCETFD523	\$1,999.84
ZR81KCETFD522	\$1,969.04
ZR81KCETFD523	\$2,192.00
ZR81KCTFD523	\$2,192.00
ZR94KCETFD522	\$2,851.12
ZR94KCETFD523	\$3,010.28
ZR108KCETFD522	\$3,000.96
ZR108KCETFD523	\$3,169.76
ZR125KCETFD522	\$3,141.88

Airefrig Part Number	List Price Excl GST
ZR125KCETFD523	\$3,330.88
ZR144KCETFD522	\$3,481.16
ZR144KCETFD523	\$3,655.80
ZR160KCETFD523	\$4,414.80
ZR16M3ETWD961	\$7,546.52
ZR190KCETFD523	\$5,063.60
ZR19M3ETWD961	\$6,924.00
ZR250KCETWD523	\$8,219.44
ZR310KCETWD523	\$10,150.92
ZR380KCETWD523	\$13,127.52



AIREFRIG AUSTRALIA PTY LTD  
RECOMMENDED LIST PRICES  
A.B.N. 95 008 761 573

ALL PRICES ARE EXCLUSIVE OF GST  
SUBJECT TO CHANGE WITHOUT NOTICE  
EFFECTIVE MARCH 2014

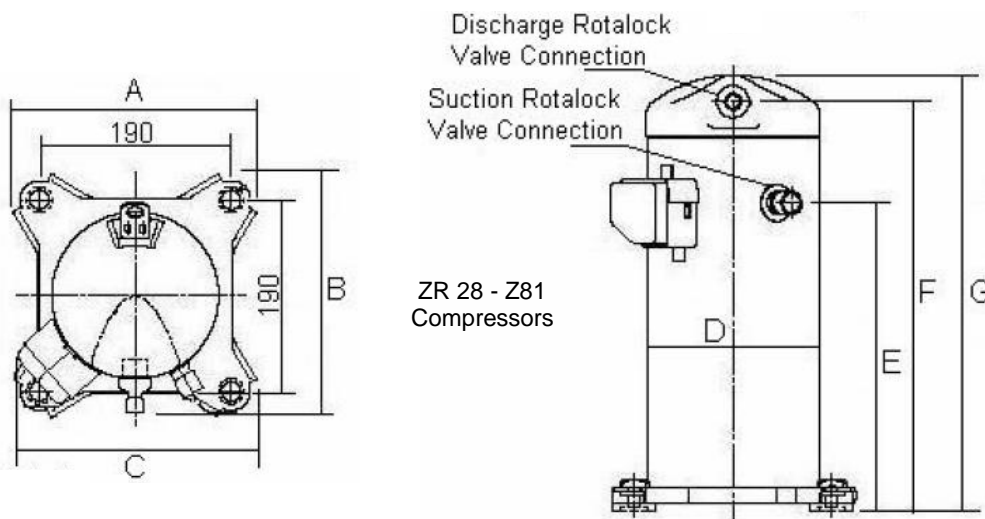


# COPELAND COMPRESSORS

## R22 Air Conditioning Scroll Compressors

### Dimensions & Specifications

Airefrig Part Number	A	B	C	D	E	F	G	Connections		Oil Charge Litres	Run Capacitor MFD/Volts	Crankcase Heater (wrap around)	Wiring Drg No.									
								Suct	Disch													
ZR28K3EPFJ522	245	236	243	166	264	357	383	3/4 stub tube		1.00	45/370V	018004701 CH-255 240V 90W	2									
ZR36K3EPFJ522					284	381	406			50/370V												
ZR40K3EPFJ522					296	393	420			55/370V												
ZR40K3ETFD522										-												
ZR47K3EPFJ522										60/370V												
ZR48K3PFJ522					313	411	436															
ZR48KCETFD522																						
ZR54KCETFD522	241	245	238	185	317	430	458	7/8 stub tube	1/2 stub tube	1.24	-	These C.C.Heaters are <u>Not</u> supplied with compressor	4									
ZR61KCEPFZ522										1.83	50/440V		2									
ZR61KCETFD522										1.54	-		4									
ZR68KCEPFJ522										1.83	50/440V		2									
ZR68KCETFD522										1.72	-		4									
ZR72KCETFD522																						
ZR72KCETFD523										7/8 rotalock	1/2 rotalock			1.66								
ZR81KCETFD522										7/8 stub tube	3/4 stub tube											
ZR81KCETFD523										249				435	465	7/8 rotalock	3/4 rotalock					



### IMPORTANT – WARNING TO BE CLEARLY UNDERSTOOD PRIOR TO RUNNING ANY SCROLL COMPRESSOR:

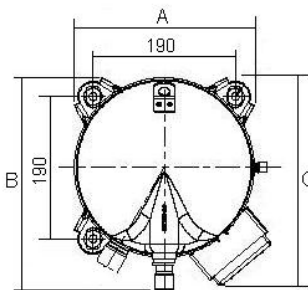
- It is important that the SCROLL compressor is charged as quickly as possible by way of LIQUID REFRIGERANT INTO THE LIQUID LINE, this is to avoid insufficient volume of suction gas that would be detrimental to the compressor.
- **DO NOT VAPOUR CHARGE THE SYSTEM!**
- It is recommended the required refrigerant charge is bomb charged into the liquid side of the system.
- Topping up the system can be done carefully on the low side with liquid refrigerant through manifold service gauges.
- The **suction service valve** must NOT BE FULLY CLOSED at any time when the compressor is running.

# COPELAND COMPRESSORS

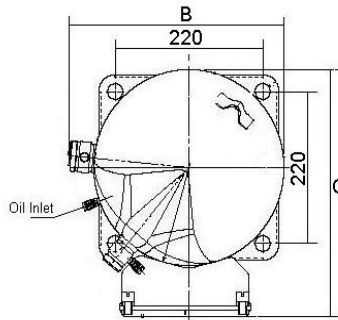
## R22 Air Conditioning - Scroll Compressors

### Dimensions & Specifications

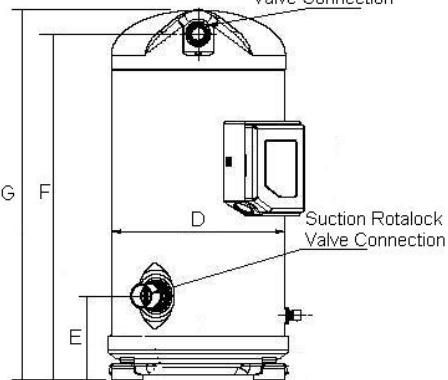
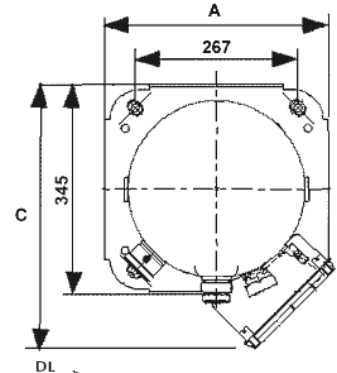
Airefrig Part Number	A	B	C	D	E	F	G	Connections		Oil Charge Litres	Crankcase Heater (wrap around)	Wiring Drg No.						
								Suction	Discharge									
ZR94KCETFD522	243	285	279	232	141	520	552	1 1/8 stub tube	3/4 stub tube	2.39	018004701 CH-255 240V 90W	4						
ZR94KCETFD523								1 1/8 rotalock	3/4 rotalock									
ZR108KCETFD522								1 3/8 stub tube	7/8 stub tube									
ZR108KCETFD523								1 3/8 rotalock	7/8 rotalock									
ZR125KCETFD522								1 3/8 stub tube	7/8 stub tube									
ZR125KCETFD523								1 3/8 rotalock	7/8 rotalock									
ZR144KCETFD522								1 3/8 stub tube	7/8 stub tube									
ZR144KCETFD523								1 3/8 rotalock	7/8 stub tube									
ZR160KCETFD523								174	553				585	1 3/8 rotalock	7/8 rotalock	3.14	018003600 CH-202 240V 70W Supplied with compressor	-
ZR190KCETFD523																		
ZR16M3ETWD961	-	319	357	283	324	511	551	1 1/8 rotalock	4.05	018005604 240V 120W Supplied with comp	-							
ZR19M3ETWD961	-	324				552	598											
ZR250KCETWD523	386	-	449	334	375	667	716	1 5/8 rotalock	1 3/8 rotalock	4.67	018006805 240V 150W Supplied with compressor	-						
ZR310KCETWD523	386	-								5.91								
ZR380KCETWD523	367	-								6.30								



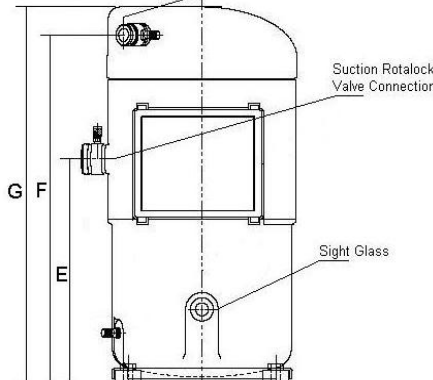
Discharge Rotalock Valve Connection



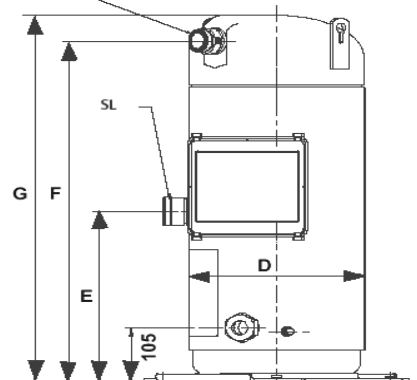
Discharge Rotalock Valve Connection



ZR 94 - 190



ZR 16 - 19



ZR 250 - 380

# COPELAND COMPRESSORS

## R410A Air Conditioning Scroll Compressors

### Capacities R410A

Airefrig Part Number		Refrigeration Capacity - <u>Watts</u>							Consumption - <u>Power</u>		Current - <u>Amps</u>				Kgs											
			Condensing Temperature °C						Displ cm <sup>3</sup> /r	Motor																
			Evaporating Temperature °C							HP	Type	*Amps	LRA													
			-10	-5	0	7.2	10	12																		
<b>ZP57K3ETFD522</b> - Stub Tubes - POE Oil	W	45.0	8200	10100	12200	15700	17400	18600	53.0	4.75	3Ph	MCC 15.0 RLA 10.7	74.0	42												
	P		3820	3760	3700	3630	3600	3580																		
	A		7.1	7.1	7	6.9	6.9	6.9																		
	W	50.0	7500	9350	11400	14700	16300	17500							57.0	5.0	3Ph	MCC 15.2 RLA 10.9	64.0	41						
	P		4370	4290	4220	4120	4090	4060																		
	A		7.8	7.7	7.6	7.5	7.5	7.4																		
	W	55.0		10500	13700	15200	16300	8500													62.0	5.5	3Ph	MCC 16.5 RLA 11.8	74.0	40
	P			4800	4680	4630	4600	4890																		
	A			8.3	8.2	8.1	8.1	8.4																		
W	45.0	8350	10500	12850	16700	18600	19900	66.0	6.0	3Ph	MCC 17.5 RLA 12.5	75.0	40													
P		4110	4040	3960	3840	3780	3730																			
A		7.3	7.2	7.1	6.9	6.9	6.8																			
W	50.0	7500	9600	11900	15600	17400	18700							66.0	6.0	3Ph	MCC 17.5 RLA 12.5	75.0	40							
P		4600	4520	4430	4300	4230	4180																			
A		8.0	7.9	7.8	7.6	7.5	7.5																			
W	55.0		8600	10850	14450	16200	17400													66.0	6.0	3Ph	MCC 17.5 RLA 12.5	75.0	40	
P			5050	4970	4820	4750	4700																			
A			8.7	8.6	8.4	8.3	8.2																			
W	45.0	9450	11650	14200	18200	20100	21500	66.0	6.0	3Ph	MCC 17.5 RLA 12.5	75.0	40													
P		4200	4200	4200	4200	4200	4200																			
A		7.7	7.7	7.7	7.7	7.7	7.7																			
W	50.0	8600	10750	13200	17100	18900	20200							66.0	6.0	3Ph	MCC 17.5 RLA 12.5	75.0	40							
P		4710	4710	4710	4700	4700	4710																			
A		8.4	8.4	8.4	8.4	8.4	8.4																			
W	55.0		9800	12150	15800	17600	18800													66.0	6.0	3Ph	MCC 17.5 RLA 12.5	75.0	40	
P			5300	5300	5300	5250	5250																			
A			9.2	9.2	9.2	9.2	9.2																			
W	45.0	10300	12550	15100	19400	21500	22900	66.0	6.0	3Ph	MCC 17.5 RLA 12.5	75.0	40													
P		4520	4530	4540	4550	4550	4560																			
A		8.1	8.1	8.2	8.2	8.2	8.2																			
W	50.0	9550	11650	14100	18100	20100	21500							66.0	6.0	3Ph	MCC 17.5 RLA 12.5	75.0	40							
P		5100	5100	5100	5100	5100	5100																			
A		9.0	9.0	9.0	9.0	9.0	9.0																			
W	55.0		10750	13050	16800	18700	20000													66.0	6.0	3Ph	MCC 17.5 RLA 12.5	75.0	40	
P			5750	5750	5750	5750	5750																			
A			9.9	9.9	9.9	9.9	10.0																			

Rating Conditions: 11.1K Superheat, 8.3Kb Subcooling, 35 Deg Ambient / Supplied with: Internal Motor Protection, Rubber Mounting Kit.  
\*Amps : MCC = maximum continuous current, RLA = MCC ÷ 1.4 (Copeland advises use RLA for contactor selection)

#### IMPORTANT – WARNING TO BE CLEARLY UNDERSTOOD PRIOR TO RUNNING ANY SCROLL COMPRESSOR:

- It is important that the SCROLL compressor is charged as quickly as possible by way of LIQUID REFRIGERANT INTO THE LIQUID LINE, this is to avoid insufficient volume of suction gas that would be detrimental to the compressor.
- **DO NOT VAPOUR CHARGE THE SYSTEM!**
- It is recommended the required refrigerant charge is bomb charged into the liquid side of the system.
- Topping up the system can be done carefully on the low side with liquid refrigerant through manifold service gauges.
- The suction service valve must NOT BE FULLY CLOSED at any time when the compressor is running.

# COPELAND COMPRESSORS

## R410A Air Conditioning Scroll Compressors

### Capacities R410A

Airefrig Part Number		Refrigeration Capacity - <u>W</u> atts							Consumption - <u>P</u> ower		Current - <u>A</u> mps				Kgs											
			Condensing Temperature °C						Displ cm <sup>3</sup> /r	Motor																
			Evaporating Temperature °C							HP	Type	*Amps	LRA													
			-10	-5	0	7.2	10	12																		
<b>ZP83KCETFD522</b> - Stub Tubes - POE Oil	W	45.0	9500	11800	14450	21000	22500	24900	76.0	7.0	3Ph	MCC 19.0 RLA 13.6	101.0	40												
	P		5050	5050	5100	5150	5150	5200																		
	A		9.9	9.9	10.0	10.0	10.1	10.1																		
	W	50.0	10900	13400	16300	21100	23400	25100							95.0	9.0	3Ph	MCC 26.0 RLA 18.6	111.0	62						
	P		5750	5750	5750	5800	5800	5850																		
	A		10.8	10.8	10.8	10.9	10.9	11.0																		
	W	55.0		12300	15100	18200	21900	23500													111.0	10.0	3Ph	MCC 28.0 RLA 20.0	118.0	62
	P			6500	6500	6500	6500	6550																		
	A			11.8	11.8	11.8	11.9	11.9																		
W	45.0	14800	18300	22200	28300	31500	33500	164.0	15.0	3Ph	MCC 40.0 RLA 28.6	174.0	67													
P		6400	6300	6300	6350	6400	6450																			
A		12.6	12.5	12.5	12.5	12.6	12.7																			
W	50.0	13500	16900	20700	26600	29400	31500							164.0	15.0	3Ph	MCC 40.0 RLA 28.6	174.0	67							
P		7250	7150	7050	7050	7100	7150																			
A		13.6	13.5	13.4	13.4	13.5	13.5																			
W	55.0		15400	19100	24800	27500	29400													164.0	15.0	3Ph	MCC 40.0 RLA 28.6	174.0	67	
P			8100	8000	7900	7950	7950																			
A			14.7	14.6	14.5	14.5	14.6																			
W	45.0	17350	21400	26000	33400	36900	39400	164.0	15.0	3Ph	MCC 40.0 RLA 28.6	174.0	67													
P		7410	7360	7320	7290	7300	7320																			
A		14.15	14.05	14.0	14.0	14.0	14.0																			
W	50.0	15850	19750	24100	31200	34600	37000							164.0	15.0	3Ph	MCC 40.0 RLA 28.6	174.0	67							
P		8390	8320	8260	8190	8180	8180																			
A		15.5	15.4	15.35	15.25	15.25	15.25																			
W	55.0		17950	22100	28900	32100	34400													164.0	15.0	3Ph	MCC 40.0 RLA 28.6	174.0	67	
P			9430	9340	9240	9200	9190																			
A			17.0	16.9	16.75	16.7	16.7																			
W	45.0	26600	32500	39000	49500	54500	58500	164.0	15.0	3Ph	MCC 40.0 RLA 28.6	174.0	67													
P		10800	10900	11000	11100	11200	11200																			
A		22.4	22.5	22.7	22.9	23.0	23.0																			
W	50.0	24700	30000	36500	46500	51500	55000							164.0	15.0	3Ph	MCC 40.0 RLA 28.6	174.0	67							
P		12000	12100	12100	12300	12400	12400																			
A		24.1	24.2	24.4	24.5	24.6	24.7																			
W	55.0		27800	33500	43000	47500	51000													164.0	15.0	3Ph	MCC 40.0 RLA 28.6	174.0	67	
P			13500	13500	13600	13700	13700																			
A			26.3	26.4	26.5	26.6	26.6																			

Rating Conditions: 11.1K Superheat, 8.3Kb Subcooling, 35 Deg Ambient / Supplied with: Internal Motor Protection, Rubber Mounting Kit  
\*Amps : MCC = maximum continuous current, RLA = MCC ÷ 1.4 (Copeland advises use RLA for contactor selection)

### Prices

Airefrig Part Number	List Price Excl GST
ZP57K3ETFD522	\$1,793.00
ZP61KCETFD522	\$1,968.76
ZP67KCETFD522	\$1,826.56

Airefrig Part Number	List Price Excl GST
ZP72KCETFD522	\$2,111.20
ZP83KCETFD522	\$2,191.80
ZP103KCETFD522	\$3,140.84

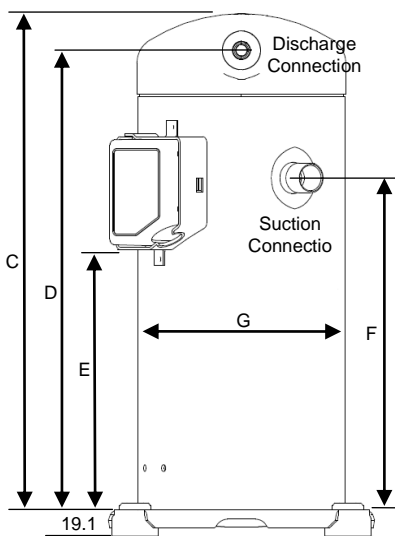
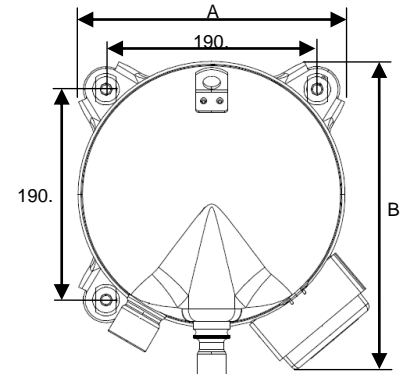
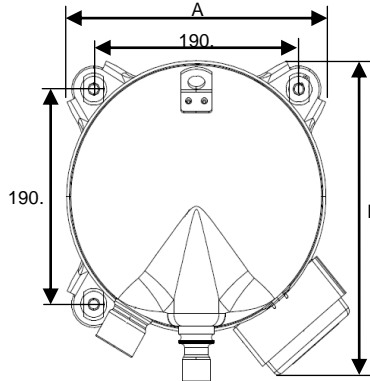
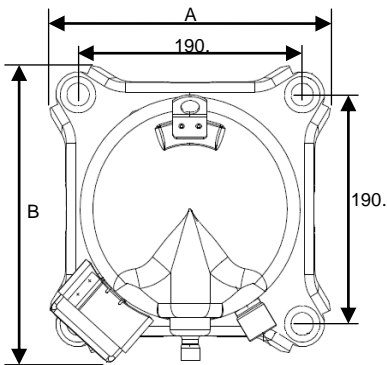
Airefrig Part Number	List Price Excl GST
ZP120KCETFD522	\$3,533.04
ZP182KCETFD522	\$4,051.48

# COPELAND COMPRESSORS

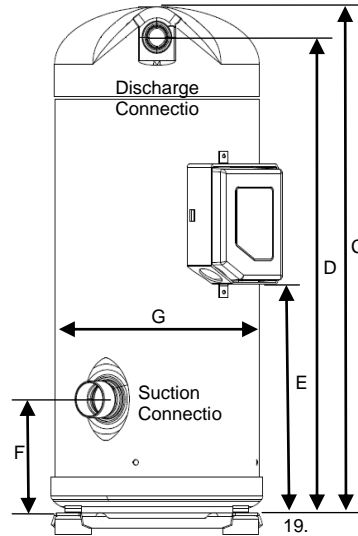
## R410A Air Conditioning Scroll Compressors

### Dimensions & Specifications

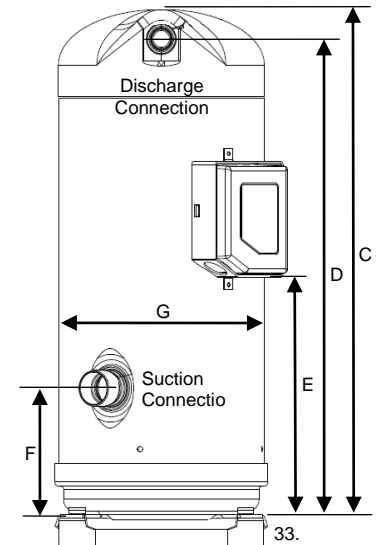
Airefrig Part Number	A (mm)	B (mm)	C (mm)	D (mm)	E (mm)	F (mm)	G (mm)	Connections		Oil Charge Litres	Crankcase Heater (wrap around)	Wiring Drg No.	
								Suct	Disch				
ZP57K3ETFD522	245	250	440 to 446	410	231 to 237	298	186	7/8 stub tube	1/2 stub tube	2.0	018005700 (CH-280) 240V 70W <i>Not supplied with compressor</i>	4	
ZP61KCETFD522													
ZP67KCETFD522													
ZP72KCETFD522													
ZP83KCETFD522													
ZP103KCETFD522	242	279	533	501	243	122	232	1-3/8 stub tube	7/8 stub tube	3.0	018004701 (CH-255) 240V 90W <i>Not supplied with compressor</i>		
ZP120KCETFD522			552	520	261								140
ZP182KCETFD522													



ZP57 to ZP83



ZP103 to



ZP182

### **IMPORTANT – WARNING TO BE CLEARLY UNDERSTOOD PRIOR TO RUNNING ANY SCROLL COMPRESSOR:**

- It is important that the SCROLL compressor is charged as quickly as possible by way of LIQUID REFRIGERANT INTO THE LIQUID LINE, this is to avoid insufficient volume of suction gas that would be detrimental to the compressor.
- **DO NOT VAPOUR CHARGE THE SYSTEM!**
- It is recommended the required refrigerant charge is bomb charged into the liquid side of the system.
- Topping up the system can be done carefully on the low side with liquid refrigerant through manifold service gauges.
- The **suction service valve** must NOT BE FULLY CLOSED at any time when the compressor is running.

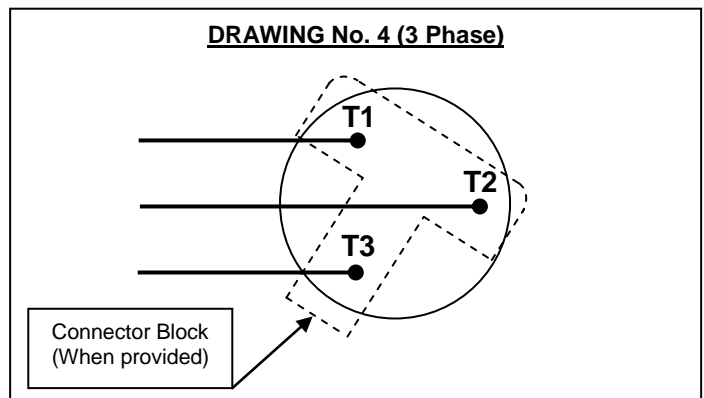
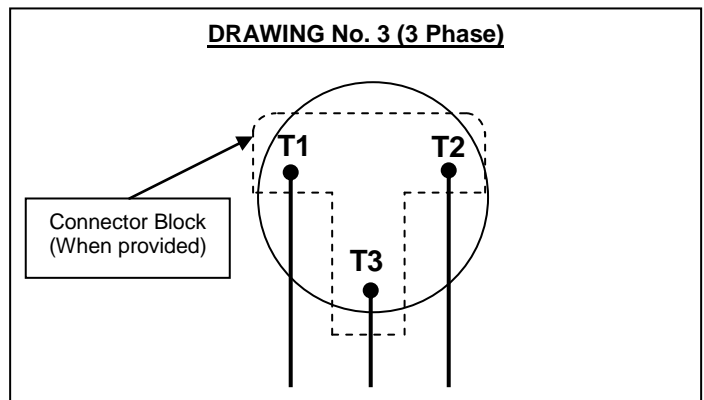
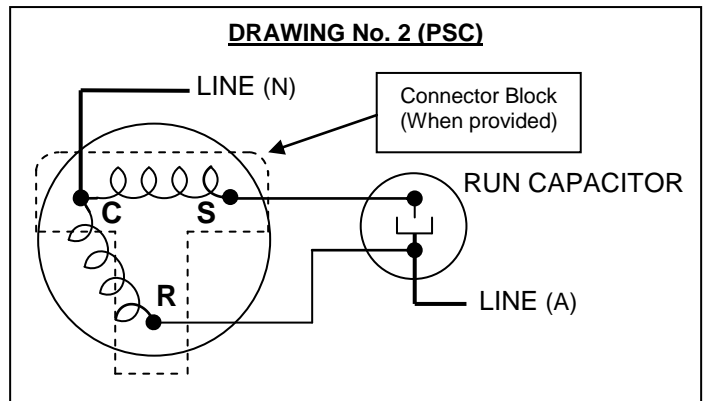
# COPELAND COMPRESSORS

## Electrical Details

Airefrig Part Number	Resistance (+/- 7%) OHMS	Drawing Number
<b>ZB Series</b>		
ZB45KCETFD-551	Line to Line 2.27	4
ZB58KQETFD-551	Line to Line 1.799	
ZB76KQETFD-551	Line to Line 1.227	

<b>ZR Series</b>		
ZR28K3EPFJ522	Start 2.23 / Run 1.20	2
ZR36K3EPFJ-522	Start 1.84 / Run 0.89	
ZR40K3EPFJ-522	Start 1.81 / Run 0.75	
ZR40K3ETFD-522	Line to Line 4.03	4
ZR45K3PFJ522		2
ZR47K3EPFJ-522	Start 1.67 / Run 0.59	
ZR48K3PFJ-522		
ZR48KCETFD-522	Line to Line 3.88	4
ZR54KCETFD-522	Line to Line 2.90	
ZR61KCETFD-522	Line to Line 2.75	
ZR61KCEPFZ-522	Start 1.89 / Run 0.41	2
ZR68KCEPFJ-522	Start 1.88 / Run 0.41	
ZR68KCETFD-522	Line to Line 2.27	
ZR72KCETFD-522 / 523	Line to Line 2.27	4
ZR81KCETFD-522 / 523	Line to Line 1.79	
ZR94KCETFD-523	Line to Line 1.59	
ZR108KCETFD-522 / 523	Line to Line 1.36	4
ZR125KCETFD-523	Line to Line 1.23	
ZR144KCETFD-523	Line to Line 1.23	
ZR160KCETFD-523	Line to Line 1.09	4
ZR16M3ETWD-551 / 961	Line to Line 0.83	
ZR190KCETFD-523	Line to Line 0.83	
ZR19M3ETWD-551 / 961	Line to Line 0.72	-
ZR250KCETWD-523	Line to Line 0.63	
ZR310KCETWD-523	Line to Line 0.51	
ZR380KCETWD-523	Line to Line 0.35	

<b>ZP Series</b>		
ZP57K3ETFD-522	Line to Line 2.47	4
ZP61KCETFD-522	Line to Line 2.80	
ZP67KCETFD-522	Line to Line 2.47	
ZP72KCETFD-522	Line to Line 2.47	
ZP83KCETFD-522	Line to Line 1.79	
ZP103KCETFD-522	Line to Line 1.36	
ZP120KCETFD-522	Line to Line 1.24	
ZP182KCETFD-522	Line to Line 0.83	



# COPELAND COMPRESSORS

## Selection Guide 3 Phase Contactors, Thermal & Electronic Overloads

Airefrig Part Number	3Ph Contactor	3Ph Thermal Overload	3Ph Electronic Overload <i>includes phase loss &amp; phase imbalance protection</i>
CR24KQTFD267RM	MC9B240V (AC-3 Rating 9A)	MT323K4 (2.5 - 4.0 amps)	GMP223P5A (1.0 - 5.0 amps)
CRD10200TFD561	MC9B240V (AC-3 Rating 9A)	MT323K4 (2.5 - 4.0 amps)	GMP223P5A (1.0 - 5.0 amps)
CR32K6TFD595	MC9B240V (AC-3 Rating 9A)	MT323K6 (4.0 - 6.0 amps)	GMP223P22A (4.4 - 22.0 amps)
CR33KQTFD267RM	MC9B240V (AC-3 Rating 9A)	MT323K6 (4.0 - 6.0 amps)	GMP223P22A (4.4 - 22.0 amps)
CR37KQTFD267RM	MC9B240V (AC-3 Rating 9A)	MT323K8 (5.0 - 8.0 amps)	GMP223P22A (4.4 - 22.0 amps)
CR38K6TFD595	MC9B240V (AC-3 Rating 9A)	MT323K8 (5.0 - 8.0 amps)	GMP223P22A (4.4 - 22.0 amps)
CR41KQTFD267RM	MC12B240V (AC-3 Rating 12A)	MT323K9 (6.0 - 9.0 amps)	GMP223P22A (4.4 - 22.0 amps)
CR42K6TFD595	MC12B240V (AC-3 Rating 12A)	MT323K9 (6.0 - 9.0 amps)	GMP223P22A (4.4 - 22.0 amps)
CR47KQTFD267RM	MC12B240V (AC-3 Rating 12A)	MT323K10 (7.0 - 10.0 amps)	GMP223P22A (4.4 - 22.0 amps)
CR47KQTFD595	MC12B240V (AC-3 Rating 12A)	MT323K10 (7.0 - 10.0 amps)	GMP223P22A (4.4 - 22.0 amps)
CR53KQTFD595	MC12B240V (AC-3 Rating 12A)	MT323K10 (7.0 - 10.0 amps)	GMP223P22A (4.4 - 22.0 amps)
CRN50500TFD55R	MC12B240V (AC-3 Rating 12A)	MT323K13 (9.0 - 13.0 amps)	GMP223P22A (4.4 - 22.0 amps)
CRNQ0500TFD595	MC12B240V (AC-3 Rating 12A)	MT323K13 (9.0 - 13.0 amps)	GMP223P22A (4.4 - 22.0 amps)

CS14K6ETFD55R	MC9B240V (AC-3 Rating 9A)	MT323K6 (4.0 - 6.0 amps)	GMP223P22A (4.4 - 22.0 amps)
CS14K6ETFD595	MC9B240V (AC-3 Rating 9A)	MT323K6 (4.0 - 6.0 amps)	GMP223P22A (4.4 - 22.0 amps)
CS18K6ETFD55R	MC9B240V (AC-3 Rating 9A)	MT323K8 (5.0 - 8.0 amps)	GMP223P22A (4.4 - 22.0 amps)
CS18K6ETFD595	MC9B240V (AC-3 Rating 9A)	MT323K8 (5.0 - 8.0 amps)	GMP223P22A (4.4 - 22.0 amps)
CS20K6ETFD595	MC9B240V (AC-3 Rating 9A)	MT323K8 (5.0 - 8.0 amps)	GMP223P22A (4.4 - 22.0 amps)
CS27K6ETFD595	MC12B240V (AC-3 Rating 12A)	MT323K9 (6.0 - 9.0 amps)	GMP223P22A (4.4 - 22.0 amps)
CS33K6ETFD595	MC12B240V (AC-3 Rating 12A)	MT323K13 (9.0 - 13.0 amps)	GMP223P22A (4.4 - 22.0 amps)

ZP57K3ETFD522	MC12B240V (AC-3 Rating 12A)	MT323K10 (7.0 - 10.0 amps)	GMP223P22A (4.4 - 22.0 amps)
ZP61KCETFD522	MC12B240V (AC-3 Rating 12A)	MT323K10 (7.0 - 10.0 amps)	GMP223P22A (4.4 - 22.0 amps)
ZP67KCETFD522	MC18B240V (AC-3 Rating 18A)	MT323K13 (9.0 - 13.0 amps)	GMP223P22A (4.4 - 22.0 amps)
ZP72KCETFD522	MC18B240V (AC-3 Rating 18A)	MT323K13 (9.0 - 13.0 amps)	GMP223P22A (4.4 - 22.0 amps)
ZP83KCETFD522	MC18B240V (AC-3 Rating 18A)	MT323K18 (12.0 - 18.0 amps)	GMP223P22A (4.4 - 22.0 amps)
ZP103KCETFD522	MC18B240V (AC-3 Rating 18A)	MT323K18 (12.0 - 18.0 amps)	GMP223P22A (4.4 - 22.0 amps)
ZP120KCETFD522	MC22B240V (AC-3 Rating 22A)	MT323K22 (16.0 - 22.0 amps)	GMP223P22A (4.4 - 22.0 amps)
ZP182KCETFD522	MC32A240V (AC-3 Rating 32A)	MT323K32 (22.0 - 32.0 amps)	GMP403P40A (8.0 - 40.0 amps)

# COPELAND COMPRESSORS

## Selection Guide Contactors, Thermal Overloads & Fuses

Airefrig Part Number	3Ph Contactor	3Ph Thermal Overload	3Ph Electronic Overload <i>includes phase loss &amp; phase imbalance protection</i>
ZR40K3ETFD522	MC9B240V (AC-3 Rating 9A)	MT323K8 (5.0 - 8.0 amps)	GMP223P22A (4.4 - 22.0 amps)
ZR48KCETFD522	MC12B240V (AC-3 Rating 12A)	MT323K9 (6.0 - 9.0 amps)	GMP223P22A (4.4 - 22.0 amps)
ZR54KCETFD522	MC12B240V (AC-3 Rating 12A)	MT323K9 (6.0 - 9.0 amps)	GMP223P22A (4.4 - 22.0 amps)
ZR61KCETFD522	MC12B240V (AC-3 Rating 12A)	MT323K13 (9.0 - 13.0 amps)	GMP223P22A (4.4 - 22.0 amps)
ZR68KCETFD522	MC12B240V (AC-3 Rating 12A)	MT323K13 (9.0 - 13.0 amps)	GMP223P22A (4.4 - 22.0 amps)
ZR72KCETFD522 / 523	MC12B240V (AC-3 Rating 12A)	MT323K13 (9.0 - 13.0 amps)	GMP223P22A (4.4 - 22.0 amps)
ZR81KCETFD522 / 523	MC18B240V (AC-3 Rating 18A)	MT323K18 (12.0 - 18.0 amps)	GMP223P22A (4.4 - 22.0 amps)
ZR94KCETFD522 / 523	MC18B240V (AC-3 Rating 18A)	MT323K18 (12.0 - 18.0 amps)	GMP223P22A (4.4 - 22.0 amps)
ZR108KCETFD522 / 523	MC22B240V (AC-3 Rating 22A)	MT323K22 (16.0 - 22.0 amps)	GMP223P22A (4.4 - 22.0 amps)
ZR125KCETFD522 / 523	MC32A240V (AC-3 Rating 32A)	MT323K22 (16.0 - 22.0 amps)	GMP403P40A (8.0 - 40.0 amps)
ZR144KCETFD522 / 523	MC32A240V (AC-3 Rating 32A)	MT323K25 (18.0 - 25.0 amps)	GMP403P40A (8.0 - 40.0 amps)
ZR160KCETFD523	MC32A240V (AC-3 Rating 32A)	MT323K25 (18.0 - 25.0 amps)	GMP403P40A (8.0 - 40.0 amps)
ZR16M3ETWD961	MC32A240V (AC-3 Rating 32A)	MT323K25 (18.0 - 25.0 amps)	GMP403P40A (8.0 - 40.0 amps)
ZR190KCETFD523	MC40A240V (AC-3 Rating 40A)	MT323K32 (22.0 - 32.0 amps)	GMP403P40A (8.0 - 40.0 amps)
ZR19M3ETWD961	MC40A240V (AC-3 Rating 40A)	MT323K32 (22.0 - 32.0 amps)	GMP403P40A (8.0 - 40.0 amps)
ZR250KCETWD523	MC50A240V (AC-3 Rating 50A)	MT633K50 (34.0 - 50.0 amps)	-
ZR310KCETWD523	MC50A240V (AC-3 Rating 50A)	MT633K50 (34.0 - 50.0 amps)	-
ZR380KCETWD523	MC65A240V (AC-3 Rating 65A)	MT633K65 (45.0 - 65.0 amps)	-



MC22B240V



MT323K1



GMP223P22A



# COPELAND COMPRESSORS

## Spare Parts (cont'd)

Airefrig Part Number	Relay	Start Capacitor	Run Capacitor	Crankcase Heater	Suction Service Valve	Discharge Service Valve	Suction Valve Gasket	Discharge Valve Gasket
<b>ZR Series</b>								
ZR28K3EPFJ522- PSC (supplied with run capacitor only)			014003736 (014-0054-36) 45MFD 370V					
ZR36K3EPFJ522- PSC (supplied with run capacitor only)			014005440 (014-0054-40) 50MFD 370V					
ZR40K3EPFJ522- PSC (supplied with run capacitor only)			014005439 (014-0054-39) 55MFD 370V					
ZR40K3ETFD522			-					
ZR47K3EPFJ522- PSC (supplied with run capacitor only)	-	-	014004837 (014-0054-37) 60MFD 370V					
ZR48K3PFJ522- PSC (supplied with run capacitor only)					Stub Tubes	Stub Tubes	Stub Tubes	Stub Tubes
ZR48KCETFD522				018005700 CH-280 240V 70W Wrap Around				
ZR54KCETFD522								
ZR61KCETFD522								
ZR68KCEPFJ522 - PSC (supplied with run capacitor only)	040000169 (040-0001-69)	014000610 270-324UF 330V	014004820 (014-0054-20) 50MFD 440V					
ZR68KCETFD522								
ZR72KCETFD523 (ZR72KCETFD522 Stub tube)					2605142030 1-1/4" 12UNF 7/8ODF	2605081620 1" 14UNF 1/2ODF	020002802	020002800
ZR81KCETFD523 (ZR81KCETFD522 Stub tube)					2605142030 1-1/4" 12UNF 7/8ODF	2605122030 1-1/4" 12UNF 3/4ODF	020002802	020002802
ZR94KCETFD523 (ZR94KCETFD522 Stub tube)					2605182835 1-3/4" 12UNF 1-1/8ODF		020002803	
ZR108KCETFD523 (ZR108KCETFD522 Stub tube)	-	-	-					
ZR125KCETFD523 (ZR125KCETFD522 Stub tube)				018004701 CH-255 240V 90W Wrap Around				
ZR144KCETFD523 (ZR144KCETFD522 Stub tube)					2605222835 1-3/4" 12UNF 1-3/8ODF	2605142030 1-1/4" 12UNF 7/8ODF	020002803	020002802
ZR160KCETFD523								
ZR190KCETFD523								
ZR16M3ETWD961/551	Protection Module INT69-SCY Airefrig Part No. 8542286			018003600 CH-202 240V 70W Wrap Around				
ZR19M3ETWD961/551					8511928 (suction & discharge service valve kit)			
ZR250KCETWD523				018005604 CH-291 240V 120W Wrap Around			020094100	020002803
ZR310KCETWD523		T.B.A.		018006805 CH-282 240V 150W Wrap Around	998510059 (suction & discharge service valve kit)			
ZR380KCETWD523								