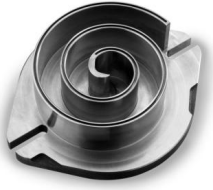


DANFOSS SCROLL COMPRESSORS



Danfoss



Scroll Compressors

Danfoss Performer® Scroll Compressors are 100% gas cooled & fitted with an automatic reset line break protector mounted internally on the motor windings.

The internal protectors respond to over-current, overheating & are designed to interrupt motor current under a variety of fault conditions such as failure to start, running overload & fan failure etc.

If the internal overload protector trips it must cool down to approximately +60 degrees Celsius to reset. (Depending on the ambient temperature this may take up to several hours)

Three Phase Sequence & Reverse Rotation Protection

The compressor will only operate properly with the correct rotation.

If a three phase compressor is wired incorrectly it will run but will have excessive noise, no pressure differential between suction & discharge, plus the suction will become warmer rather than cooler.

The smaller range of Danfoss Performer scroll compressors (up to HLP075) are able to run in reverse rotation safely for up to a 150 hours without damaging the compressor, however phase monitors are still recommended.

The larger range of Danfoss Performer scroll compressors (HLP078 onwards) should never be run in reverse. Danfoss recommends phase rotation protection should always be fitted to prevent these compressors from operating in reverse rotation.

Single Phase Compressors – Reverse Rotation

Brief power interruptions may cause reverse rotation of single phase scroll compressors.

The internal protection will stop the compressor & once cooled down will restart with correct rotation.

Crankcase Heaters are recommended on all stand-alone compressors & split systems. The heater should be energised for a minimum of 12 hours before initial start up (compressor service valves opened) & must remain energised whenever the compressor is off.

External High Pressure Switches are required for HCP094,109,120 scroll compressors as these models are not equipped with internal pressure relief valves.



DANFOSS SCROLL COMPRESSORS

R22 Scroll Compressors

Capacities R22

Airefrig Part Number		Refrigeration Capacity - Watts								Consumption - Power		Current - Amps			Weight Kgs
		Condensing Temperature °C								Swept volume cm ³ /rev	Displ m ³ /h	Motor			
		Evaporating Temperature °C										(Nom.) HP	Type	Max. Amps	
		-15	-10	-5	0	5	7.2	10							
HRP034T5LP6 - Rubber Mount Kit - PVE Oil (320HV) - Stub Tubes - Run Capacitor <i>Note:</i> crankcase heater to be purchased separately	W	45.0	3696	4638	5748	7012	8414	9085	9938	46.2	8.0	2.8	1PH (PSC)	27.0	31.0
	P		2220	2175	2145	2123	2106	2098	2088						
	A		10.71	10.35	10.26	10.25	10.17	10.03	9.86						
	W	50.0	3326	4270	5366	6600	7955	8598	9416						
	P		2467	2394	2344	2311	2291	2284	2276						
	A		11.85	11.29	11.05	10.99	10.93	10.82	10.69						
	W	55.0	-	3837	4933	6149	7470	8091	8882						
	P		-	2652	2575	2523	2490	2483	2473						
	A		-	12.44	12.05	11.90	11.81	11.73	11.63						
HRP034T4LP6 - Rubber Mount Kit - PVE Oil (320HV) - Stub Tubes <i>Note:</i> crankcase heater to be purchased separately	W	45.0	3693	4631	5740	7002	8402	9072	9924	46.2	8.0	2.8	3PH	9.5	31.0
	P		2212	2165	2134	2113	2096	2088	2078						
	A		4.47	4.32	4.28	4.28	4.25	4.19	4.12						
	W	50.0	3341	4285	5383	6620	7980	8625	9447						
	P		2485	2410	2358	2325	2304	2298	2290						
	A		4.95	4.71	4.62	4.59	4.56	4.52	4.46						
	W	55.0	-	3869	4971	6196	7529	8156	8953						
	P		-	2700	2620	2567	2534	2527	2517						
	A		-	5.20	5.03	4.97	4.93	4.89	4.85						
HRP040T5LP6 - Rubber Mount Kit - PVE Oil (320HV) - Stub Tubes - Run Capacitor <i>Note:</i> crankcase heater to be purchased separately	W	45.0	4424	5546	6874	8386	10063	10865	11885	54.4	9.5	3.3	1PH (PSC)	25.0	31.0
	P		2621	2566	2529	2504	2484	2475	2463						
	A		11.68	11.57	11.53	11.52	11.51	11.49	11.47						
	W	50.0	4015	5145	6464	7949	9583	10358	11344						
	P		2941	2852	2792	2752	2728	2721	2711						
	A		12.87	12.69	12.61	12.58	12.57	12.57	12.56						
	W	55.0	-	4660	5984	7459	9064	9819	10780						
	P		-	3192	3098	3035	2996	2987	2976						
	A		-	13.98	13.86	13.81	13.82	13.83	13.84						
HRP040T4LP6 - Rubber Mount Kit - PVE Oil (320HV) - Stub Tubes <i>Note:</i> crankcase heater to be purchased separately	W	45.0	4351	5458	6765	8253	9903	10692	11697	54.4	9.5	3.3	3PH	11.5	31.0
	P		2556	2502	2466	2442	2422	2413	2401						
	A		5.41	5.23	5.18	5.18	5.14	5.07	4.98						
	W	50.0	3929	5041	6334	7790	9390	10149	11116						
	P		2870	2783	2724	2685	2661	2654	2645						
	A		5.99	5.71	5.59	5.56	5.52	5.47	5.40						
	W	55.0	-	4544	5839	7279	8844	9580	10517						
	P		-	3116	3024	2963	2926	2917	2905						
	A		-	6.29	6.09	6.01	5.97	5.93	5.88						
HRP047T5LP6 - Rubber Mount Kit - PVE Oil (320HV) - Stub Tubes - Run Capacitor <i>Note:</i> crankcase heater to be purchased separately	W	45.0	5231	6562	8134	9922	11906	12855	14063	64.1	11.2	4.0	1PH (PSC)	31.2	31.0
	P		3092	3018	2972	2943	2921	2910	2896						
	A		14.12	14.10	14.07	14.05	14.05	14.06	14.08						
	W	50.0	4715	6052	7605	9353	11274	12185	13345						
	P		3599	3480	3401	3353	3325	3317	3306						
	A		15.78	15.72	15.67	15.64	15.64	15.66	15.68						
	W	55.0	-	5447	7001	8727	10603	11485	12607						
	P		-	4039	3916	3836	3790	3779	3766						
	A		-	17.67	17.59	17.54	17.53	17.55	17.58						
HRP047T4LP6 - Rubber Mount Kit - PVE Oil (320HV) - Stub Tubes <i>Note:</i> crankcase heater to be purchased separately	W	45.0	5201	6525	8087	9866	11838	12762	13982	64.1	11.2	4.0	3PH	12.0	31.0
	P		2991	2925	2882	2854	2831	2821	2806						
	A		6.0	5.8	5.7	5.7	5.7	5.6	5.5						
	W	50.0	4693	6022	7568	9307	11218	12108	13279						
	P		3406	3299	3227	3181	3154	3145	3135						
	A		6.6	6.3	6.2	6.1	6.1	6.1	6.0						
	W	55.0	-	5425	6972	8691	10559	11423	12556						
	P		-	3746	3634	3561	3516	3504	3493						
	A		-	6.9	6.7	6.6	6.6	6.6	6.5						

Rating Conditions 11.1k Superheat, 8.3K Subcooling,

(Single Phase = 220-240V/1/50Hz , Three Phase = 380-400V/3/50Hz)

DANFOSS SCROLL COMPRESSORS

R22 Scroll Compressors

Capacities R22

Airefrig Part Number		Refrigeration Capacity - Watts							Consumption - Power		Current - Amps			Weight Kgs	
			Condensing Temperature °C							Swept volume cm ³ /rev	Displ m ³ /h	Motor			
			Evaporating Temperature °C									(Nom.) HP	Type		Max. Amps
			-15	-10	-5	0	5	7.2	10						
HRP054T4LP6 - Rubber Mount Kit - PVE Oil (320HV) - Stub Tubes <i>Note:</i> crankcase heater to be purchased separately	W	45.0	5966	7502	9310	11361	13624	14681	16073	72.8	12.7	4.5	3PH	12.5	37.0
	P		3005	3023	3061	3101	3128	3131	3125						
	A		5.5	5.5	5.6	5.6	5.7	5.7	5.7						
	W	50.0	5381	6932	8728	10740	12939	13958	15296						
	P		3292	3337	3396	3452	3488	3494	3488						
	A		6.0	6.0	6.0	6.0	6.0	6.1	6.1						
	W	55.0	-	6247	8054	10051	12207	13200	14496						
	P		-	3620	3719	3810	3874	3890	3897						
	A		-	6.5	6.5	6.5	6.5	6.6	6.6						
HRP060T5LP6 - Rubber Mount Kit - PVE Oil (320HV) - Stub Tubes - Run Capacitor <i>Note:</i> crankcase heater to be purchased separately	W	45.0	6578	8201	10131	12349	14840	16017	17585	80.9	14.1	5.0	1PH (PSC)	40.0	37.0
	P		3309	3382	3466	3532	3546	3528	3477						
	A		18.6	18.5	18.6	18.8	19.0	19.1	19.2						
	W	50.0	5930	7534	9419	11567	13961	15088	16585						
	P		3656	3779	3903	3996	4026	4010	3960						
	A		20.1	20.0	20.0	20.1	20.3	20.4	20.6						
	W	55.0	-	6769	8626	10722	13038	14123	15559						
	P		-	4146	4336	4483	4555	4554	4519						
	A		-	21.8	21.7	21.7	21.9	22.0	22.2						
HRP060T4LP6 - Rubber Mount Kit - PVE Oil (320HV) - Stub Tubes <i>Note:</i> crankcase heater to be purchased separately	W	45.0	6525	8211	10193	12439	14916	16093	17590	80.9	14.1	5.0	3PH	15.0	37.0
	P		3421	3423	3451	3490	3526	3534	3545						
	A		6.20	6.19	6.18	6.17	6.17	6.17	6.18						
	W	50.0	5886	7591	9563	11769	14176	15309	16752						
	P		3736	3763	3810	3862	3907	3917	3930						
	A		6.93	6.90	6.88	6.86	6.86	6.87	6.88						
	W	55.0	-	6842	8829	11021	13385	14486	15888						
	P		-	4065	4151	4237	4311	4331	4357						
	A		-	7.76	7.72	7.70	7.70	7.71	7.72						
HLP068T5LP6 - Rubber Mount Kit - PVE Oil (320HV) - Stub Tubes - Run Capacitor <i>Note:</i> crankcase heater to be purchased separately	W	45.0	7627	9566	11856	14463	17355	18738	20498	93.1	16.2	5.7	1PH (PSC)	40.0	37.0
	P		4261	4225	4199	4177	4153	4138	4120						
	A		20.20	20.17	20.14	20.11	20.11	20.12	20.14						
	W	50.0	6897	8847	11115	13670	16478	17810	19506						
	P		4796	4732	4688	4658	4637	4628	4617						
	A		22.59	22.49	22.42	22.37	22.37	22.40	22.43						
	W	55.0	-	7986	10260	12789	15540	16834	18480						
	P		-	5330	5260	5215	5188	5181	5173						
	A		-	25.29	25.16	25.09	25.09	25.12	25.16						
HLP068T4LP6 - Rubber Mount Kit - PVE Oil (320HV) - Stub Tubes <i>Note:</i> crankcase heater to be purchased separately	W	45.0	7632	9576	11869	14479	17373	18758	20520	93.1	16.2	5.7	3PH	15.0	37.0
	P		4024	4020	4046	4089	4133	4147	4165						
	A		7.35	7.33	7.32	7.31	7.31	7.31	7.32						
	W	50.0	6884	8834	11102	13654	16458	17788	19481						
	P		4390	4412	4459	4516	4570	4585	4605						
	A		8.21	8.18	8.15	8.14	8.14	8.15	8.16						
	W	55.0	-	7955	10224	12745	15485	16773	18412						
	P		-	4759	4849	4944	5031	5059	5094						
	A		-	9.20	9.15	9.13	9.12	9.13	9.15						
HLP072T4LC6 - Rubber Mount Kit - PVE Oil (320HV) - Stub Tubes <i>Note:</i> crankcase heater to be purchased separately	W	45.0	8023	10083	12509	15263	18307	19758	21604	98.7	17.2	6.0	3PH	15.0	37.0
	P		4230	4231	4264	4312	4356	4367	4382						
	A		7.69	7.68	7.67	7.66	7.66	7.66	7.67						
	W	50.0	7237	9313	11720	14420	17374	18770	20546						
	P		4619	4650	4706	4770	4826	4839	4856						
	A		8.60	8.56	8.53	8.52	8.52	8.53	8.54						
	W	55.0	-	8391	10809	13484	16380	17734	19457						
	P		-	5022	5125	5231	5322	5348	5382						
	A		-	9.63	9.58	9.55	9.55	9.56	9.58						

Rating Conditions 11.1k Superheat, 8.3K Subcooling,

(Single Phase = 220-240V/1/50Hz, Three Phase = 380-400V/3/50Hz)

DANFOSS SCROLL COMPRESSORS

R22 Scroll Compressors

Capacities R22

Airefrig Part Number		Refrigeration Capacity - <u>Watts</u>								Consumption - <u>Power</u>		Current - <u>Amps</u>			Weight Kgs
		Condensing Temperature °C								Swept volume cm ³ /rev	Displ m ³ /h	Motor			
		Evaporating Temperature °C										(Nom) HP	Type	Max. Amps	
		-15	-10	-5	0	5	7.2	10							
HLP075T4LC6 - Rubber Mount Kit - PVE Oil (320HV) - Stub Tubes <i>Note:</i> crankcase heater to be purchased separately	W	45.0	8225	10310	12777	15588	18705	20195	22092	102.7	17.9	6.5	3PH	16.0	37.0
	P		4550	4515	4488	4464	4437	4422	4403						
	A		8.72	8.71	8.69	8.68	8.68	8.68	8.70						
	W	50.0	7484	9587	12041	14808	17852	19296	21134						
	P		5075	5011	4967	4935	4912	4902	4890						
	A		9.75	9.71	9.68	9.66	9.66	9.67	9.69						
	W	55.0	-	8703	11172	13925	16923	18333	20129						
	P		-	5594	5523	5476	5446	5438	5430						
	A		-	10.92	10.87	10.84	10.83	10.84	10.86						
HLP081T4LC6 - Rubber Mount Kit - PVE Oil (320HV) - Stub Tubes <i>Note:</i> crankcase heater to be purchased separately	W	45.0	9150	11448	14168	17278	20745	22414	24538	110.9	19.3	7.0	3PH	17.0	37.0
	P		4658	4683	4739	4800	4842	4842	4841						
	A		9.07	9.05	9.04	9.03	9.03	9.03	9.04						
	W	50.0	8251	10542	13218	16245	19593	21193	23229						
	P		5100	5167	5254	5339	5396	5398	5400						
	A		10.14	10.10	10.06	10.04	10.04	10.05	10.07						
	W	55.0	-	9483	12143	15118	18375	19919	21883						
	P		-	5601	5750	5888	5988	6005	6027						
	A		-	11.35	11.30	11.26	11.26	11.27	11.29						
HCP094T4LC6 - Rubber Mount Kit - PVE Oil (320HV) - Stub Tubes <i>Note:</i> crankcase heater to be purchased separately	W	45.0	10346	12973	16078	19615	23538	25413	27800	126.0	21.9	8.0	3PH	21.0	44.0
	P		5823	5781	5747	5716	5682	5663	5639						
	A		10.79	10.77	10.75	10.74	10.74	10.75	10.76						
	W	50.0	9380	12025	15106	18578	22395	24206	26511						
	P		6455	6379	6324	6284	6253	6241	6225						
	A		12.06	12.01	11.97	11.95	11.95	11.96	11.98						
	W	55.0	-	10880	13974	17417	21165	22928	25171						
	P		-	7077	6989	6929	6891	6881	6869						
	A		-	13.51	13.44	13.40	13.40	13.42	13.44						
HCP109T4LC6 - Rubber Mount Kit - PVE Oil (320HV) - Stub Tubes <i>Note:</i> crankcase heater to be purchased separately	W	45.0	11942	14971	18554	22636	27162	29326	32081	148.8	25.9	9.0	3HP	24.0	45.0
	P		7041	6899	6802	6734	6680	6654	6621						
	A		12.59	12.17	12.06	12.06	11.96	11.80	11.59						
	W	50.0	10849	13901	17461	21474	25887	27981	30646						
	P		7815	7586	7427	7323	7257	7237	7212						
	A		13.93	13.27	13.00	12.93	12.85	12.73	12.57						
	W	55.0	-	12601	16179	20165	24506	26548	29147						
	P		-	8393	8148	7983	7881	7856	7825						
	A		-	14.63	14.17	13.99	13.89	13.79	13.67						
HCP120T4LC6 - Rubber Mount Kit - PVE Oil (320HV) - Stub Tubes <i>Note:</i> crankcase heater to be purchased separately	W	45.0	13034	16342	20252	24708	29649	32011	35017	162.4	28.3	10.0	3PH	25.0	45.0
	P		7455	7409	7368	7327	7283	7259	7228						
	A		13.43	13.41	13.39	13.37	13.37	13.38	13.39						
	W	50.0	11839	15171	19056	23436	28253	30538	33446						
	P		8162	8076	8010	7959	7918	7903	7883						
	A		15.01	14.95	14.90	14.87	14.87	14.89	14.91						
	W	55.0	-	13750	17655	22005	26741	28970	31806						
	P		-	8845	8741	8666	8616	8603	8586						
	A		-	16.81	16.73	16.68	16.68	16.70	16.73						

Rating Conditions 11.1k Superheat, 8.3K Subcooling,

(Single Phase = 220-240V/1/50Hz , Three Phase = 380-400V/3/50Hz)

Prices

Airefrig Part Number	List Price Excl GST
HRP034T5LP6	\$ 914.60
HRP034T4LP6	\$ 1117.51
HRP040T5LP6	\$ 1046.68
HRP040T4LP6	\$ 1046.68
HRP047T5LP6	\$ 1133.28
HRP047T4LP6	\$ 1133.28

Airefrig Part Number	List Price Excl GST
HRP054T4LP6	\$ 1152.48
HRP060T5LP6	\$ 1353.32
HRP060T4LP6	\$ 1353.32
HLP068T5LP6	\$ 1432.60
HLP068T4LP6	\$ 1432.60
HLP072T4LC6	\$ 1485.48

Airefrig Part Number	List Price Excl GST
HLP075T4LC6	\$ 1949.04
HLP081T4LC6	\$ 1522.48
HCP094T4LC6	\$ 2257.44
HCP109T4LC6	\$ 2477.12
HCP120T4LC6	\$ 2583.92



AIREFRIG AUSTRALIA PTY LTD
RECOMMENDED LIST PRICES
A.B.N. 95 008 761 573

ALL PRICES ARE EXCLUSIVE OF GST
SUBJECT TO CHANGE WITHOUT NOTICE
EFFECTIVE MARCH 2014

DANFOSS SCROLL COMPRESSORS

R407C Scroll Compressors

Capacities R407C

Airefrig Part Number		Refrigeration Capacity - Watts								Consumption - Power		Current - Amps			Weight Kgs
		Condensing Temperature °C								Swept volume cm ³ /rev	Displ m ³ /h	Motor			
		Evaporating Temperature °C										(Nom.) HP	Type	Max. Amps	
		-15	-10	-5	0	5	7.2	10							
HRP034T5LP6 - Rubber Mount Kit - PVE Oil (320HV) - Stub Tubes - Run Capacitor <i>Note:</i> crankcase heater to be purchased separately	W	45.0	3538	4495	5615	6926	8455	9236	10230	46.2	8.0	2.8	1PH (PSC)	27.0	31.0
	P		2272	2251	2234	2214	2184	2164	2138						
	A		10.77	10.69	10.59	10.49	10.36	10.29	10.21						
	W	50.0	3279	4184	5245	6491	7948	8695	9646						
	P		2572	2543	2519	2495	2462	2441	2415						
	A		12.12	12.00	11.88	11.76	11.64	11.58	11.51						
	W	55.0	-	3852	4850	6026	7407	8118	9022						
	P		-	2893	2861	2828	2790	2767	2738						
	A		-	13.58	13.42	13.28	13.16	13.11	13.04						
HRP034T4LP6 - Rubber Mount Kit - PVE Oil (320HV) - Stub Tubes <i>Note:</i> crankcase heater to be purchased separately	W	45.0	3546	4470	5559	6834	8311	9059	10010	46.2	8.0	2.8	3PH	9.5	31.0
	P		2175	2164	2153	2138	2115	2100	2080						
	A		3.45	3.43	3.45	3.47	3.48	3.45	3.42						
	W	50.0	3267	4140	5170	6375	7774	8483	9386						
	P		2459	2447	2437	2424	2404	2391	2374						
	A		3.68	3.65	3.66	3.68	3.69	3.67	3.65						
	W	55.0	-	3791	4762	5899	7221	7892	8745						
	P		-	2768	2758	2748	2732	2721	2707						
	A		-	3.95	3.96	3.99	4.01	4.00	3.99						
HRP040T5LP6 - Rubber Mount Kit - PVE Oil (320HV) - Stub Tubes - Run Capacitor <i>Note:</i> crankcase heater to be purchased separately	W	45.0	4096	5206	6504	8021	9792	10697	11849	54.4	9.5	3.3	1PH (PSC)	25.0	31.0
	P		2615	2590	2571	2548	2514	2491	2461						
	A		12.13	12.04	11.93	11.81	11.67	11.60	11.50						
	W	50.0	3784	4832	6060	7499	9182	10045	11143						
	P		2963	2929	2902	2873	2836	2812	2782						
	A		13.65	13.51	13.38	13.25	13.11	13.05	12.97						
	W	55.0	-	4437	5588	6944	8535	9353	10395						
	P		-	3335	3297	3260	3216	3190	3157						
	A		-	15.29	15.12	14.96	14.82	14.76	14.69						
HRP040T4LP6 - Rubber Mount Kit - PVE Oil (320HV) - Stub Tubes <i>Note:</i> crankcase heater to be purchased separately	W	45.0	4072	5133	6384	7847	9544	10402	11495	54.4	9.5	3.3	3PH	11.5	31.0
	P		2549	2536	2523	2506	2479	2461	2438						
	A		4.52	4.50	4.52	4.56	4.56	4.53	4.49						
	W	50.0	3750	4753	5935	7319	8925	9739	10774						
	P		2881	2867	2854	2839	2816	2801	2781						
	A		4.83	4.79	4.80	4.83	4.84	4.82	4.79						
	W	55.0	-	4350	5465	6770	8286	9056	10035						
	P		-	3240	3229	3217	3199	3186	3170						
	A		-	5.18	5.19	5.24	5.26	5.25	5.24						
HRP047T5LP6 - Rubber Mount Kit - PVE Oil (320HV) - Stub Tubes - Run Capacitor <i>Note:</i> crankcase heater to be purchased separately	W	45.0	4885	6214	7763	9574	11687	12767	14142	64.1	11.2	4.0	1PH (PSC)	31.2	31.0
	P		3044	3014	2991	2965	2925	2898	2863						
	A		14.73	14.62	14.49	14.34	14.17	14.08	13.96						
	W	50.0	4488	5741	7202	8912	10911	11936	13241						
	P		3463	3422	3390	3357	3313	3285	3250						
	A		16.58	16.41	16.25	16.09	15.92	15.85	15.75						
	W	55.0	-	5245	6612	8216	10097	11065	12297						
	P		-	3913	3867	3824	3772	3742	3703						
	A		-	18.57	18.36	18.17	18.00	17.93	17.83						
HRP047T4LP6 - Rubber Mount Kit - PVE Oil (320HV) - Stub Tubes <i>Note:</i> crankcase heater to be purchased separately	W	45.0	4938	6220	7736	9510	11566	12606	13929	64.1	11.2	4.0	3PH	12.0	31.0
	P		2943	2926	2911	2891	2860	2839	2813						
	A		6.82	6.84	6.85	6.83	6.74	6.65	6.54						
	W	50.0	4573	5786	7223	8907	10863	11854	13115						
	P		3359	3340	3325	3307	3281	3263	3240						
	A		7.37	7.39	7.41	7.39	7.30	7.21	7.10						
	W	55.0	-	5322	6681	8276	10131	11073	12271						
	P		-	3811	3797	3782	3761	3746	3728						
	A		-	8.00	8.03	8.01	7.93	7.84	7.73						

Rating Conditions 11.1k Superheat, 8.3K Subcooling,

(Single Phase = 220-240V/1/50Hz , Three Phase = 380-400V/3/50Hz)

DANFOSS SCROLL COMPRESSORS

R407C Scroll Compressors

Capacities R407C

Airefrig Part Number		Refrigeration Capacity - Watts							Consumption - Power		Current - Amps			Weight Kgs	
			Condensing Temperature °C							Swept volume cm ³ /rev	Displ m ³ /h	Motor			
			Evaporating Temperature °C									(Nom.) HP	Type		Max. Amps
			-15	-10	-5	0	5	7.2	10						
HRP054T4LP6 - Rubber Mount Kit - PVE Oil (320HV) - Stub Tubes <i>Note:</i> crankcase heater to be purchased separately	W	45.0	5586	7034	8748	10757	13088	14267	15767	72.8	12.7	4.5	3PH	12.5	37.0
	P		3286	3262	3246	3238	3241	3247	3254						
	A		4.63	4.61	4.63	4.67	4.67	4.64	4.60						
	W	50.0	5192	6555	8173	10072	12280	13398	14822						
	P		3731	3684	3647	3620	3605	3604	3602						
	A		4.95	4.90	4.92	4.95	4.96	4.93	4.90						
	W	55.0	-	6056	7574	9360	11440	12497	13843						
	P		-	4152	4098	4056	4027	4021	4013						
	A		-	5.30	5.32	5.36	5.39	5.38	5.36						
HRP060T5LP6 - Rubber Mount Kit - PVE Oil (320HV) - Stub Tubes - Run Capacitor <i>Note:</i> crankcase heater to be purchased separately	W	45.0	6120	7774	9711	11978	14623	15974	17693	80.9	14.1	5.0	1PH (PSC)	40.0	37.0
	P		3689	3654	3626	3594	3546	3513	3471						
	A		16.59	16.46	16.32	16.15	15.96	15.85	15.72						
	W	50.0	5674	7239	9075	11230	13752	15044	16689						
	P		4192	4143	4104	4064	4012	3978	3935						
	A		18.67	18.48	18.29	18.12	17.93	17.84	17.73						
	W	55.0	-	6667	8394	10430	12821	14050	15615						
	P		-	4732	4678	4625	4563	4526	4479						
	A		-	20.91	20.67	20.46	20.26	20.18	20.08						
HRP060T4LP6 - Rubber Mount Kit - PVE Oil (320HV) - Stub Tubes <i>Note:</i> crankcase heater to be purchased separately	W	45.0	6182	7780	9673	11894	14473	15778	17440	80.9	14.1	5.0	3PH	15.0	37.0
	P		3610	3576	3551	3538	3541	3551	3563						
	A		6.03	6.00	6.03	6.08	6.08	6.04	5.99						
	W	50.0	5743	7244	9027	11121	13559	14796	16370						
	P		4077	4013	3960	3923	3903	3904	3905						
	A		6.44	6.38	6.40	6.44	6.45	6.42	6.38						
	W	55.0	-	6689	8357	10321	12613	13779	15263						
	P		-	4495	4418	4358	4319	4313	4305						
	A		-	6.90	6.93	6.98	7.02	7.00	6.98						
HLP068T5LP6 - Rubber Mount Kit - PVE Oil (320HV) - Stub Tubes - Run Capacitor <i>Note:</i> crankcase heater to be purchased separately	W	45.0	7129	9062	11321	13962	17044	18619	20624	93.1	16.2	5.7	1PH (PSC)	40.0	37.0
	P		4294	4255	4224	4186	4130	4092	4043						
	A		21.41	21.25	21.06	20.85	20.60	20.47	20.30						
	W	50.0	6584	8409	10545	13049	15979	17480	19391						
	P		4841	4788	4745	4699	4637	4598	4548						
	A		24.10	23.85	23.62	23.39	23.15	23.04	22.90						
	W	55.0	-	7719	9723	12081	14849	16273	18085						
	P		-	5426	5366	5305	5233	5190	5135						
	A		-	27.00	26.69	26.41	26.16	26.05	25.92						
HLP068T4LP6 - Rubber Mount Kit - PVE Oil (320HV) - Stub Tubes <i>Note:</i> crankcase heater to be purchased separately	W	45.0	7362	9202	11398	14000	17058	18560	20619	93.1	16.2	5.7	3PH	15.0	37.0
	P		4437	4383	4342	4321	4325	4337	4362						
	A		7.1	7.1	7.1	7.2	7.2	7.1	7.1						
	W	50.0	6799	8456	10450	12831	15648	17038	18949						
	P		4981	4883	4802	4744	4717	4717	4727						
	A		7.6	7.5	7.5	7.6	7.6	7.6	7.5						
	W	55.0	-	7760	9536	11678	14237	15507	17261						
	P		-	5432	5312	5220	5163	5151	5147						
	A		-	8.1	8.2	8.2	8.3	8.3	8.2						
HLP072T4LC6 - Rubber Mount Kit - PVE Oil (320HV) - Stub Tubes <i>Note:</i> crankcase heater to be purchased separately	W	45.0	7393	9322	11604	14272	17359	18917	20899	98.7	17.2	6.0	3PH	15.0	37.0
	P		4266	4237	4217	4207	4210	4217	4226						
	A		8.19	8.14	8.19	8.25	8.26	8.20	8.13						
	W	50.0	6879	8713	10882	13421	16361	17846	19736						
	P		4847	4788	4742	4708	4688	4686	4684						
	A		8.74	8.66	8.69	8.75	8.76	8.72	8.66						
	W	55.0	-	8060	10115	12521	15312	16724	18520						
	P		-	5400	5332	5280	5243	5235	5224						
	A		-	9.37	9.40	9.48	9.53	9.51	9.48						

Rating Conditions 11.1k Superheat, 8.3K Subcooling,

(Single Phase = 220-240V/1/50Hz , Three Phase = 380-400V/3/50Hz)

DANFOSS SCROLL COMPRESSORS

R407C Scroll Compressors

Capacities R407C

Airefrig Part Number		Refrigeration Capacity - <u>Watts</u>								Consumption - <u>Power</u>		Current - <u>Amps</u>			Weight Kgs
		Condensing Temperature °C								Swept volume cm ³ /rev	Displ m ³ /h	Motor			
		Evaporating Temperature °C										(Nom) HP	Type	Max. Amps	
		-15	-10	-5	0	5	7.2	10							
HLP075T4LC6 - Rubber Mount Kit - PVE Oil (320HV) - Stub Tubes <i>Note:</i> crankcase heater to be purchased separately	W	45.0	7990	10062	12514	15384	18711	20393	22534	102.7	17.9	6.5	3PH	16.0	37.0
	P		4216	4198	4174	4138	4081	4044	3998						
	A		6.94	6.95	6.97	6.95	6.85	6.76	6.65						
	W	50.0	7407	9370	11695	14423	17590	19194	21236						
	P		5170	5153	5134	5107	5065	5035	4999						
	A		7.49	7.51	7.53	7.51	7.42	7.32	7.21						
	W	55.0	-	8627	10828	13413	16420	17946	19890						
	P		-	5704	5690	5669	5635	5610	5580						
	A		-	8.13	8.16	8.15	8.06	7.96	7.85						
HLP081T4LC6 - Rubber Mount Kit - PVE Oil (320HV) - Stub Tubes <i>Note:</i> crankcase heater to be purchased separately	W	45.0	8827	11107	13812	16982	20656	22512	24874	110.9	19.3	7.0	3PH	17.0	37.0
	P		5148	5130	5106	5070	5015	4978	4932						
	A		7.98	7.94	7.99	8.05	8.08	8.04	8.00						
	W	50.0	8231	10396	12972	15997	19511	21290	23555						
	P		5675	5658	5638	5609	5561	5529	5489						
	A		8.50	8.44	8.48	8.55	8.60	8.58	8.56						
	W	55.0	-	9622	12067	14947	18302	20004	22171						
	P		-	6237	6223	6201	6163	6136	6101						
	A		-	9.08	9.14	9.25	9.35	9.36	9.38						
HCP094T4LC6 - Rubber Mount Kit - PVE Oil (320HV) - Stub Tubes <i>Note:</i> crankcase heater to be purchased separately	W	45.0	9533	12001	14925	18349	22318	24324	26876	126.0	21.9	8.0	3PH	21.0	44.0
	P		5605	5584	5558	5519	5459	5419	5369						
	A		8.75	8.77	8.79	8.77	8.65	8.54	8.40						
	W	50.0	8856	11197	13974	17233	21017	22934	25373						
	P		6194	6174	6152	6120	6069	6034	5990						
	A		9.45	9.48	9.51	9.48	9.37	9.26	9.11						
	W	55.0	-	10329	12960	16054	19655	21482	23808						
	P		-	6825	6808	6783	6742	6713	6676						
	A		-	10.26	10.30	10.29	10.17	10.06	9.92						
HCP109T4LC6 - Rubber Mount Kit - PVE Oil (320HV) - Stub Tubes <i>Note:</i> crankcase heater to be purchased separately	W	45.0	11102	13981	17387	21375	25998	28335	31310	148.8	25.9	9.0	3HP	24.0	45.0
	P		6845	6829	6800	6752	6677	6629	6567						
	A		10.23	10.26	10.28	10.25	10.11	9.98	9.81						
	W	50.0	10294	13022	16254	20044	24445	26674	29511						
	P		7393	7384	7363	7324	7260	7217	7163						
	A		11.05	11.08	11.11	11.09	10.95	10.81	10.64						
	W	55.0	-	11991	15050	18643	22823	24945	27645						
	P		-	7968	7958	7930	7878	7841	7795						
	A		-	11.99	12.04	12.02	11.89	11.76	11.59						
HCP120T4LC6 - Rubber Mount Kit - PVE Oil (320HV) - Stub Tubes <i>Note:</i> crankcase heater to be purchased separately	W	45.0	12121	15264	18983	23337	28384	30936	34183	162.4	28.3	10.0	3PH	25.0	45.0
	P		7471	7453	7422	7369	7287	7234	7167						
	A		11.14	11.17	11.19	11.16	11.01	10.86	10.68						
	W	50.0	11238	14216	17745	21882	26687	29121	32219						
	P		8066	8056	8033	7991	7921	7874	7815						
	A		12.03	12.07	12.10	12.07	11.92	11.77	11.59						
	W	55.0	-	13091	16430	20352	24917	27233	30181						
	P		-	8691	8679	8649	8593	8553	8502						
	A		-	13.06	13.11	13.09	12.95	12.80	12.62						

Rating Conditions 11.1k Superheat, 8.3K Subcooling,

(Single Phase = 220-240V/1/50Hz , Three Phase = 380-400V/3/50Hz)

Prices

Airefrig Part Number	List Price Excl GST
HRP034T5LP6	\$ 914.60
HRP034T4LP6	\$ 1117.51
HRP040T5LP6	\$ 1046.68
HRP040T4LP6	\$ 1046.68
HRP047T5LP6	\$ 1133.28
HRP047T4LP6	\$ 1133.28

Airefrig Part Number	List Price Excl GST
HRP054T4LP6	\$ 1152.48
HRP060T5LP6	\$ 1353.32
HRP060T4LP6	\$ 1353.32
HLP068T5LP6	\$ 1432.60
HLP068T4LP6	\$ 1432.60
HLP072T4LC6	\$ 1485.48

Airefrig Part Number	List Price Excl GST
HLP075T4LC6	\$ 1949.04
HLP081T4LC6	\$ 1522.48
HCP094T4LC6	\$ 2257.44
HCP109T4LC6	\$ 2477.12
HCP120T4LC6	\$ 2583.92

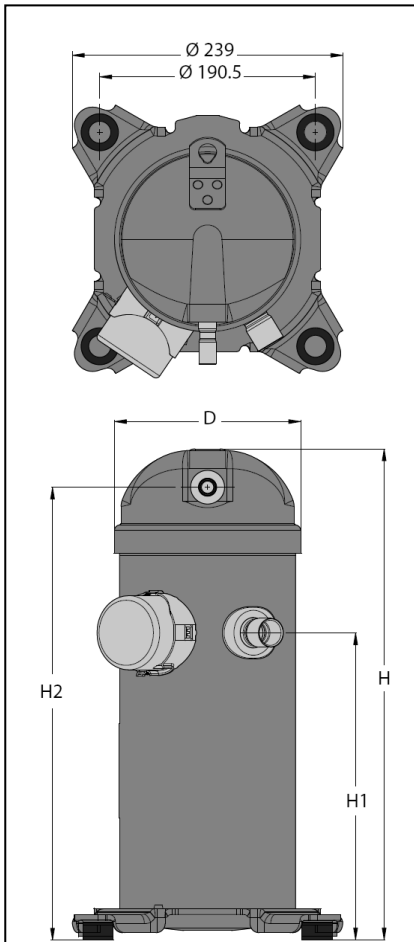


AIREFRIG AUSTRALIA PTY LTD
RECOMMENDED LIST PRICES
A.B.N. 95 008 761 573

ALL PRICES ARE EXCLUSIVE OF GST
SUBJECT TO CHANGE WITHOUT NOTICE
EFFECTIVE MARCH 2014

DANFOSS SCROLL COMPRESSORS

Scroll Compressor Dimensions

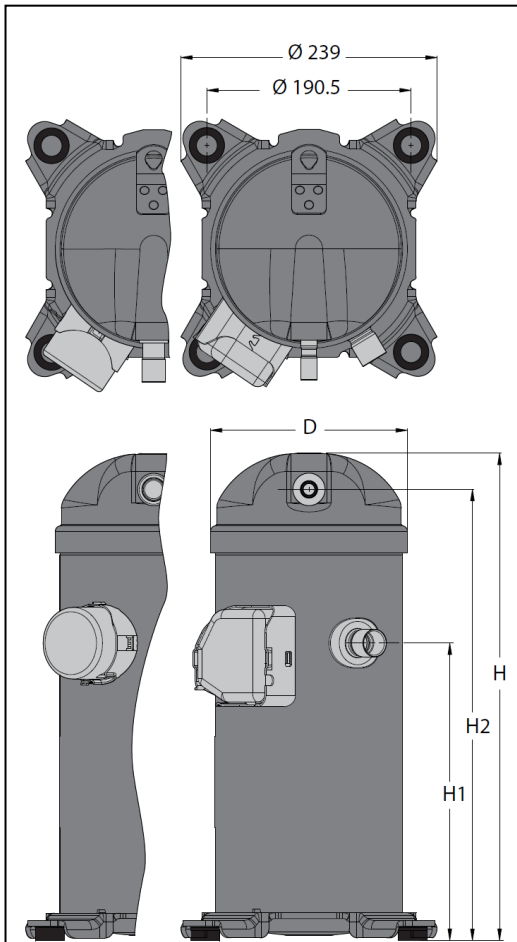


HRP034T_LP6			
D	H	H1	H2
165	413	250	379

HRP040T_LP6			
D	H	H1	H2
165	413	250	379

HRP047T_LP6			
D	H	H1	H2
165	439	275	405

HRP034,40,74 have brazed stub tubes and round electrical boxes with spade terminals.



HRP054T4LP6			
D	H	H1	H2
184	455	280	422

HRP060T_LP6			
D	H	H1	H2
184	455	280	422

HLP068T_LP6			
D	H	H1	H2
184	455	280	422

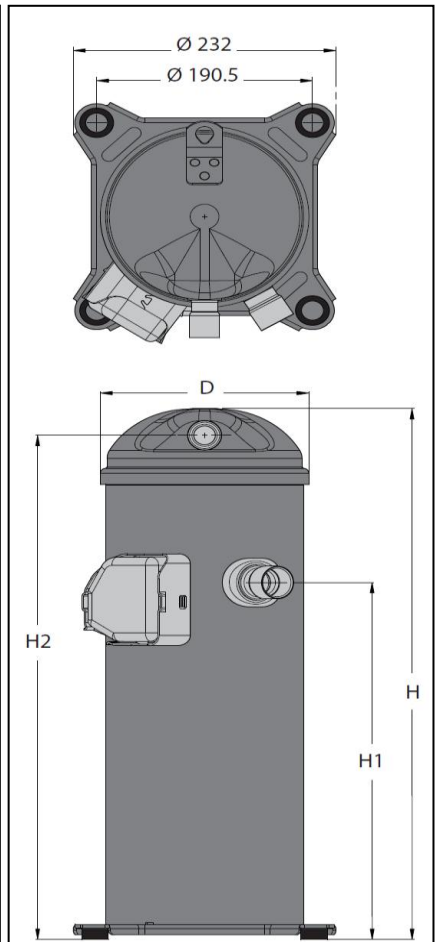
HLP072T4LC6			
D	H	H1	H2
184	455	280	422

HLP075T4LC6			
D	H	H1	H2
184	455	280	422

HLP081T4LC6			
D	H	H1	H2
184	455	280	422

HRP054,60 & HLP068 have brazed stub tubes and round electrical boxes with spade terminals.

HLP072,81 have brazed stub tubes and square electrical boxes with screw terminals.



HCP094T4LC6			
D	H	H1	H2
184	536	369	509

HCP109T4LC6			
D	H	H1	H2
184	545	369	519

HCP120T4LC6			
D	H	H1	H2
184	545	369	519

HCP094,109,120 have brazed stub tubes and square electrical boxes with screw terminals.



DANFOSS SCROLL COMPRESSORS

Scroll Compressors Specifications

Airefrig Part Number	Stub Tube Connections		Run Capacitor (PSC start)	High Start Torque - Option (items not stocked)		Crankcase Heater (Belt Type)	PVE Oil (320HV) charge
	Suction	Discharge		Relay	Start Capacitor		
HRP034T5LP6	3/4" ODF	1/2" ODF	120Z0051 (70uF / 370v)	3ARR3*3AL*	145-175uF / 330v	120Z0055 40watt 230volt	1.0 litre
HRP034T4LP6	3/4" ODF	1/2" ODF	-	-	-		1.0 litre
HRP040T5LP6	3/4" ODF	1/2" ODF	120Z0051 (70uF / 370v)	3ARR3*3AL*	145-175uF / 330v		1.0 litre
HRP040T4LP6	3/4" ODF	1/2" ODF	-	-	-		1.0 litre
HRP047T5LP6	7/8" ODF	1/2" ODF	120Z0050 (60uF / 370v)	3ARR3*3AL*	145-175uF / 330v		1.0 litre
HRP047T4LP6	7/8" ODF	1/2" ODF	-	-	-		1.0 litre
HRP054T4LP6	7/8" ODF	1/2" ODF	-	-	-	120Z0057 50watt 230volt	2.0 litres
HRP060T5LP6	7/8" ODF	1/2" ODF	8173234 (55uF / 440v)	3ARR3*25AS*	88-108uF / 330v		2.0 litres
HRP060T4LP6	7/8" ODF	1/2" ODF	-	-	-		2.0 litres
HLP068T5LP6	7/8" ODF	1/2" ODF	8173234 (55uF / 440v)	3ARR3*25AS*	88-108uF / 330v		2.0 litres
HLP068T4LP6	7/8" ODF	1/2" ODF	-	-	-		2.0 litres
HLP072T4LC6	7/8" ODF	1/2" ODF	-	-	-		2.0 litres
HLP075T4LC6	7/8" ODF	1/2" ODF	-	-	-	120Z0059 70watt 230volt	2.0 litres
HLP081T4LC6	7/8" ODF	3/4" ODF	-	-	-		2.0 litres
HCP094T4LC6	1-1/8" ODF	7/8" ODF	-	-	-		3.0 litres
HCP109T4LC6	1-1/8" ODF	7/8" ODF	-	-	-		3.0 litres
HCP120T4LC6	1-1/8" ODF	7/8" ODF	-	-	-	3.0 litres	

Note: Crankcase heaters are not supplied with compressors & should be purchased separately if required.

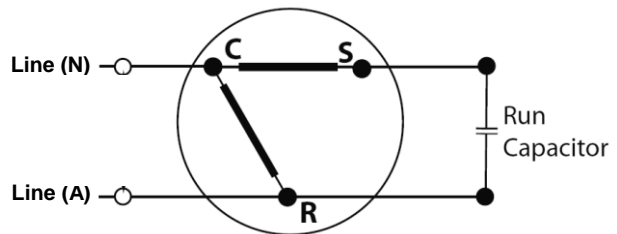
Electrical Connections: Danfoss scroll compressors are designed to operate without any assistance if running within the defined nominal voltage. PSC wiring is sufficient (see below)

Single Phase - PSC Wiring

PSC Wiring

The start winding (C-S) of the motor remains in circuit through the permanent (run) capacitor.

This permanent (run) capacitor is connected between the start winding (C-S) and the run winding (C-R).



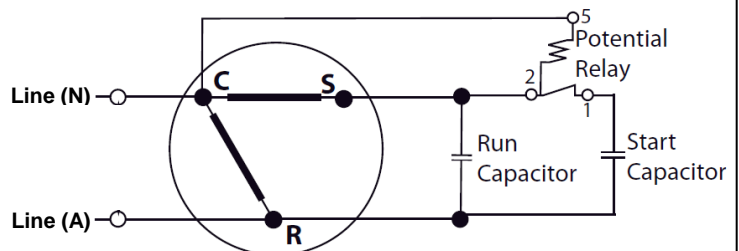
Single Phase - CSR Wiring

CSR Wiring

If start assist is required, in case of operating below nominal voltage, a CSR starting device is required.

During start-up, the start winding (C-S) is energised through an electromagnetic potential relay and a start capacitor.

A permanent (run) capacitor is wired between the start winding (C-S) and the run winding (C-R).



DANFOSS SCROLL COMPRESSORS

Electrical Details Contactors & Thermal Overloads Options

Airefrig Part Number	Winding Resistance OHMS (+/- 7% @ 25°C)	Locked Rotor	Maximum Continuous Current	3Ø Contactor	3Ø Thermal Overload	3Ø Electronic Overload <i>Includes phase loss & imbalance protection</i>
HRP034T5LP6	Start Winding: 1.509 Main Winding: 0.689	97.0 amps	27.0 amps	-	-	-
HRP034T4LP6	Between 1-2: 4.664 Between 1-3: 4.660 Between 2-3: 3.422	45.0 amps	9.5 amps	MC12B240V (AC-3 Rating 12A)	MT323K10 (7-10A)	GMP223P22A (4.4-22.0amps)
HRP040T5LP6	Start Winding: 1.509 Main Winding: 0.689	97.0 amps	25.0 amps	-	-	-
HRP040T4LP6	Between 1-2: 4.664 Between 1-3: 4.660 Between 2-3: 3.420	45.0 amps	11.5 amps	MC18B240V (AC-3 Rating 18A)	MT323K13 (9-13A)	GMP223P22A (4.4-22.0amps)
HRP047T5LP6	Start Winding: 1.61 Main Winding: 0.66	102.5 amps	31.2 amps	-	-	-
HRP047T4LP6	Between 1-2: 3.873 Between 1-3: 2.850 Between 2-3: 3.870	50.0 amps	12.0 amps	MC18B240V (AC-3 Rating 18A)	MT323K13 (9-13A)	GMP223P22A (4.4-22.0amps)
HRP054T4LP6	Between 1-2: 2.300 Between 1-3: 2.300 Between 2-3: 2.300	62.0 amps	12.5 amps	MC18B240V (AC-3 Rating 18A)	MT323K13 (9-13A)	GMP223P22A (4.4-22.0amps)
HRP060T5LP6	Start Winding: 1.019 Main Winding: 0.39	130.0 amps	40.0 amps	-	-	-
HRP060T4LP6	Between 1-2: 2.316 Between 1-3: 2.330 Between 2-3: 2.360	70.0 amps	15.0 amps	MC18B240V (AC-3 Rating 18A)	MT323K18 (12-18A)	GMP223P22A (4.4-22.0amps)
HLP068T5LP6	Start Winding: 1.019 Main Winding: 0.39	130.0 amps	40.0 amps	-	-	-
HLP068T4LP6	Between 1-2: 1.852 Between 1-3: 1.827 Between 2-3: 1.867	82.0 amps	15.0 amps	MC18B240V (AC-3 Rating 18A)	MT323K18 (12-18A)	GMP223P22A (4.4-22.0amps)
HLP072T4LC6	Between 1-2: 1.852 Between 1-3: 1.827 Between 2-3: 1.867	87.0 amps	15.0 amps	MC18B240V (AC-3 Rating 18A)	MT323K18 (12-18A)	GMP223P22A (4.4-22.0amps)
HLP075T4LC6	Between 1-2: 1.617 Between 1-3: 1.600 Between 2-3: 1.630	100.0 amps	16.0 amps	MC18B240V (AC-3 Rating 18A)	MT323K18 (12-18A)	GMP223P22A (4.4-22.0amps)
HLP081T4LC6	Between 1-2: 2.116 Between 1-3: 2.090 Between 2-3: 2.070	87.0 amps	17.0 amps	MC22B240V (AC-3 Rating 22A)	MT323K22 (16-22A)	GMP223P22A (4.4-22.0amps)
HCP094T4LC6	Between 1-2: 1.480 Between 1-3: 1.480 Between 2-3: 1.480	84.0 amps	21.0 amps	MC32A240V (AC-3 Rating 32A)	MT323K22 (16-22A)	GMP403P40A (8.0-40.0amps)
HCP109T4LC6	Between 1-2: 1.326 Between 1-3: 1.280 Between 2-3: 1.290	110.0 amps	24.0 amps	MC32A240V (AC-3 Rating 32A)	MT323K25 (18-25A)	GMP403P40A (8.0-40.0amps)
HCP120T4LC6	Between 1-2: 1.125 Between 1-3: 1.110 Between 2-3: 1.100	140.0 amps	25.0 amps	MC32A240V (AC-3 Rating 32A)	MT323K25 (18-25A)	GMP403P40A (8.0-40.0amps)



DANFOSS SCROLL COMPRESSORS

Scroll Compressor Cross Reference Guide

Danfoss Model R407C/R22	HP (Nominal)	Phase	Copeland	Bristol	Carlyle	Old Danfoss Model R22
HRP034T5LP6	2.8	1 (PSC)	ZR34K3-PFJ	H20C343ABKA	SCE340AC	HRM032U5LP6
HRP038T5LP6	3.0	1 (PSC)	ZR36K3-PFJ	H20C373ABKA	SCH370AC	HRM038U5LP6
HRP040T5LP6	3.3	1 (PSC)	ZR40K3-PFJ	H20C403ABKA	SCE400AC	HRM042U5LP6
HRP045T5LP6	3.5	1 (PSC)	ZR45K3-PFJ	H20R453ABKA	SRE450AC	HRM045U5LP6
HRP058T5LP6	4.5	1 (PSC)		H20R583ABKA	SRE580AC	HRM058U5LP6
HRP060T5LP6	5.0	1 (PSC)	ZR61KC-PFZ	H20R603ABKA	SRE600AC	HRM060U5LP6
HRP068T5LP6	5.7	1 (PSC)	ZR68KC-PFJ			HLM068U5LP6
HRP038T4LP6	3.0	3	ZR36K3-TFD	H20C373DBEA	SCE370AC	HRM038U4LP6
HRP040T4LP6	3.3	3	ZR40K3-TFD	H20C403DBEA	SCH402AC	HRM040U4LP6
HRP045T4LP6	3.5	3	ZR46KC-TFD	H20R453DBEA	SRH452AC	HRM045U4LP6
HRP047T4LP6	3.8	3	ZR49KC-TFD	H20R483DBEA	SRH482AC	HRM048U4LP6
HRP058T4LP6	4.5	3	ZR57KC-TFD	H20R583DBEA	SRH582AC	HRM058U4LP6
HRP060T4LP6	5.0	3	ZR61KC-TFD	H20R603DBEA	SRH600AC	HRM060U4LP6
HLP068T4LP6	5.7	3	ZR68KC-TFD			HLM068U4LP6
HLP072T4LC6	6.0	3	ZR72KC-TFD	H20R753DBEA		HLM072T4LC6
HLP081T4LC6	7.5	3	ZR81KC-TFD	H20R813DBEA	SRH812AC	HLM081T4LC6
# HCP094T4LC6	8.3	3	# ZR94KC-TFD	H20R943DBEA	SRH942AE	HCM0943DBEA
HCP109T4LC6	9.0	3	ZR108KC-TFD			

Note: may not be direct replacement - check the height dimensions of these models.

(Information supplied by Danfoss Australia)

Scroll Compressor Components

The motor stator is rigidly attached to the shell.

The rotor is shrink-fit onto the eccentric shaft.

The shaft is supported by two bearings, one in the crankcase and the second below the motor.

