

# *Maneurop*<sup>®</sup>

## **Scroll Compressors**

**Maneurop Performer<sup>®</sup> Scroll Compressors** are 100% gas cooled & incorporate internal safety devices such as motor protection, reverse rotation protection & discharge gas check valves. Additional safety devices or system components may be required to ensure adequate protection of the compressors.

**Models SM / SZ 084 – 090 – 100 – 110 – 120 – 148 – 161** are supplied with internal overload motor protection to prevent excessive current draw, overheating & phase loss or incorrect motor rotation. The cutout current is the MCC value & can be found in data sheets. The protector is located in the star point of the motor & will cut out all three phases when activated & will automatically reset. Although not compulsory it is advisable to fit additional external overload protection for alarm or manual reset.

**Models SM / SZ 115 – 125 – 160 – 175 – 185** are supplied with a bi-metallic single pole, single throw thermostat located in the motor windings. If the motor overheats due to low refrigerant flow or improper rotation, the thermostat will open. Because the thermostat is an automatic reset device it must be wired within a lockout safety circuit with a manual reset. It is compulsory to fit an external overload protector to protect against over current & phase loss for SM/SZ 115, 125, 160, 175, 185 compressors.

**Models SY / SZ 240 – 300 – 380** are supplied with motor protection module fitted inside the compressor terminal box. The protection module provides protection against overheating, overloading & phase loss or reversal. The motor protector comprises of a control module connected to PTC sensors embedded in the motor windings. Once tripped the module has a 5 minute start delay providing the windings have cooled below the response temperature. The time delay can be cancelled by resetting the mains (L-N disconnected) for approximately 5 seconds (monitoring function is inactive for 20 seconds after shutdown). The SY/SZ240 to SY/SZ380 compressors have an internal safety relief device that is set to open between the high & low side if the differential pressure between the suction & discharge surpasses 31 to 38 bar.

**Crankcase Heaters** are recommended on all stand-alone compressors & split systems. The heater should be energised for a minimum of 12 hours before initial start up (compressor service valves opened) & must remain energised whenever the compressor is off.



# MANEUROP COMPRESSORS

## R22 Scroll Compressors

### Capacities R22

Airefrig Part Number		Refrigeration Capacity - Watts							Consumption - Power	Swept volume cm <sup>3</sup> /rev	Displ m <sup>3</sup> /h	Current - Amps			Weight Kgs												
		Condensing Temperature °C										Motor															
		Evaporating Temperature °C										HP	Type	Max. Amps													
		-10	-5	0	5	7.2	10	15																			
<b>SM0844VI</b> - Rubber Mount Kit - Oil Sight Glass - Mineral Oil - Stub Tubes  <i>Note:</i> crankcase heater to be purchased separately	W	45.0	11010	13857	17114	20816	22595	24996	114.5	19.92	7.0	3PH	17.0	64.0													
	P		5062	5038	5004	4961	4938	4907							4842												
	A		9.59	9.59	9.55	9.51	9.49	9.45							9.37												
	W	50.0	10176	12945	16115	19718	21450	23790							120.5	20.97	7.5	3PH	17.0	65.0							
	P		5692	5660	5616	5562	5534	5495													5416						
	A		10.31	10.29	10.25	10.20	10.17	10.13													10.03						
	W	55.0	-	11965	15040	18538	20220	22493													127.2	22.13	8.0	3PH	19.0	65.0	
	P		-	6356	6303	6236	6202	6157																			6063
	A		-	11.12	11.07	11.01	10.98	10.92																			10.82
W	45.0	12186	15103	18450	22264	24099	26580	122.5	22.13	8.0	3PH	19.0	65.0														
P		5403	5413	5413	5399	5389	5370							5324													
A		10.85	10.86	10.86	10.83	10.81	10.78							10.71													
W	50.0	11432	14240	17462	21135	22905	25297							144.2	25.09	9.0	3PH	20.0	73.0								
P		6007	6012	6006	5985	5972	5949													5895							
A		11.57	11.58	11.56	11.53	11.50	11.47													11.38							
W	55.0	-	13321	16408	19932	21632	23930													155.0	26.97	9.5	3PH	25.0	78.0		
P		-	6682	6669	6641	6624	6597																			6533	
A		-	12.40	12.38	12.34	12.30	12.26																			12.17	
W	45.0	14558	18061	22042	26539	28690	31587	166.6	28.99	10.0	3PH	29.0	73.0														
P		6468	6459	6445	6424	6413	6397																			6362	
A		12.66	12.65	12.63	12.59	12.58	12.54																			12.47	
W	50.0	13656	17028	20861	25191	27263	30056							155.0	26.97	9.5	3PH	25.0	78.0								
P		7215	7197	7172	7140	7123	7100																			7051	
A		13.55	13.53	13.50	13.45	13.42	13.38																			13.30	
W	55.0	-	15940	19613	23765	25753	28434													166.6	28.99	10.0	3PH	29.0	73.0		
P		-	8024	7989	7944	7921	7891																			7827	
A		-	14.56	14.51	14.45	14.42	14.36																			14.26	
W	45.0	15301	18983	23225	28077	30421	33590	166.6	28.99	10.0	3PH	29.0	73.0														
P		6849	6830	6801	6761	6739	6707																			6638	
A		12.76	12.74	12.71	12.66	12.64	12.60																			12.54	
W	50.0	14168	17831	2050	26878	29212	32363							166.6	28.99	10.0	3PH	29.0	73.0								
P		7698	7664	7618	7559	7528	7484																			7392	
A		13.74	13.70	13.65	13.59	13.56	13.51																			13.42	
W	55.0	-	16504	20700	25500	27823	30957													166.6	28.99	10.0	3PH	29.0	73.0		
P		-	8608	8543	8464	8423	8366																			8250	
A		-	14.85	14.78	14.69	14.65	14.59																			14.48	
W	45.0	16972	21051	25657	30826	33288	36596	166.6	28.99	10.0	3PH	29.0	73.0														
P		7409	7383	7356	7326	7313	7295																			7261	
A		14.49	14.46	14.42	14.38	14.36	14.33																			14.26	
W	50.0	15913	19844	24282	29264	31637	34827							166.6	28.99	10.0	3PH	29.0	73.0								
P		8274	8240	8202	8162	8143	8118																			8070	
A		15.50	15.47	15.42	15.37	15.35	15.31																			15.24	
W	55.0	-	18584	22841	27622	29901	32965													166.6	28.99	10.0	3PH	29.0	73.0		
P		-	9201	9153	9100	9075	9042																			8980	
A		-	16.64	16.59	16.53	16.50	16.46																			16.38	

Rating Conditions 11.1k Superheat, 8.3K Subcooling, 35 Deg Ambient .

(Power requirements: 3PH = 380-400V/3/50Hz)

*Note:* Service valves & crankcase heaters are not supplied with compressors & should be purchased separately if required.

# MANEUROP COMPRESSORS

## R22 Scroll Compressors

### Capacities R22

Airefrig Part Number		Refrigeration Capacity - Watts							Consumption - Power	Swept volume cm <sup>3</sup> /rev	Displ m <sup>3</sup> /h	Current - Amps			Weight Kgs												
		Condensing Temperature °C										Motor															
		Evaporating Temperature °C										HP	Type	Max. Amps													
		-10	-5	0	5	7.2	10	15																			
<b>SM1254RI</b> - Rubber Mount Kit - Oil Sight Glass - Mineral Oil - Rotalocks Required  <i>Note: service valves &amp; crankcase heater to be purchased separately</i>	W	45.0	16456	20414	24974	30190	32704	36116	166.6	28.99	10.0	3PH	25.0	78.0													
	P		7358	7337	7306	7262	7243	7205							7131												
	A		13.71	13.69	13.65	13.61	13.58	13.55							13.47												
	W	50.0	15240	19177	23713	28902	31403	34800							199.0	34.60	12.0	3PH	32.0	88.0							
	P		8270	8233	8184	8120	8092	8039													7940						
	A		14.77	14.73	14.68	14.61	14.57	14.52													14.43						
	W	55.0	-	17753	22263	27424	29910	33290													216.6	37.69	13.0	3PH	29.0	90.0	
	P		-	9246	9177	9091	9055	8986																			8861
	A		-	15.97	15.89	15.80	15.76	15.70																			15.57
<b>SM1484VI</b> - Rubber Mount Kit - Oil Sight Glass - Mineral Oil - Stub Tubes  <i>Note: crankcase heater to be purchased separately</i>	W	45.0	20677	25333	30678	36785	39730	43724	199.0	34.60	12.0	3PH	32.0	88.0													
	P		8759	8788	8824	8864	8882	8904																			8941
	A		16.54	16.56	16.57	16.57	16.58	16.60																			16.66
	W	50.0	19502	23974	29111	34984	37828	41667							216.6	37.69	13.0	3PH	29.0	90.0							
	P		9766	9780	9804	9835	9850	9870																			9905
	A		17.74	17.78	17.79	17.79	17.80	17.81																			17.87
	W	55.0	-	22566	27481	33109	35840	39522													216.6	37.69	13.0	3PH	29.0	90.0	
	P		-	10902	10910	10927	10938	10952																			10981
	A		-	19.18	19.20	19.20	19.22	19.22																			19.28
<b>SM1604RAI</b> - Rubber Mount Kit - Oil Sight Glass - Mineral Oil - Rotalocks Required  <i>Note: service valves &amp; crankcase heater to be purchased separately</i>	W	45.0	22108	27260	33142	39815	43021	47341	216.6	37.69	13.0	3PH	29.0	90.0													
	P		9412	9491	9572	9654	9692	9737																			9819
	A		16.90	16.99	17.08	17.16	17.20	17.24																			17.31
	W	50.0	20774	25764	31461	37927	41036	45222							216.6	37.69	13.0	3PH	29.0	90.0							
	P		10396	10469	10544	10620	10655	10695																			10770
	A		18.21	18.30	18.38	18.46	18.50	18.54																			18.60
	W	55.0	-	24075	29572	35816	38822	42866													216.6	37.69	13.0	3PH	29.0	90.0	
	P		-	11572	11641	11709	11741	11776																			11842
	A		-	19.79	19.87	19.95	19.98	20.02																			20.09
<b>SM1614VAI</b> - Rubber Mount Kit - Oil Sight Glass - Mineral Oil - Stub Tubes  <i>Note: crankcase heater to be purchased separately</i>	W	45.0	22363	27400	33183	39791	42980	47302	216.6	37.69	13.0	3PH	29.0	88.0													
	P		9397	9428	9466	9510	9529	9554																			9596
	A		17.75	17.77	17.78	17.79	17.79	17.81																			17.87
	W	50.0	21092	25931	31489	37846	40916	45079							216.6	37.69	13.0	3PH	29.0	88.0							
	P		10480	10493	10518	10551	10567	10589																			10628
	A		19.04	19.08	19.09	19.09	19.10	19.12																			19.17
	W	55.0	-	24403	29722	35813	38757	42753													216.6	37.69	13.0	3PH	29.0	88.0	
	P		-	11699	11706	11724	11734	11750																			11782
	A		-	20.58	20.60	20.61	20.62	20.63																			20.68
<b>SM1754RI</b> - Rubber Mount Kit - Oil Sight Glass - Mineral Oil - Rotalocks Required  <i>Note: service valves &amp; crankcase heater to be purchased separately</i>	W	45.0	23885	29380	35664	42803	46232	50864	233.0	40.54	14.0	3PH	35.0	100.0													
	P		10079	10156	10228	10293	10316	10348																			10392
	A		19.25	19.34	19.42	19.49	19.51	19.53																			19.54
	W	50.0	22531	27817	33863	40736	44038	48500							233.0	40.54	14.0	3PH	35.0	100.0							
	P		11164	11243	11317	11385	11407	11443																			11490
	A		20.53	20.63	20.72	20.80	20.82	20.85																			20.88
	W	55.0	-	26173	31962	38548	41714	45996													249.9	43.48	15.0	3PH	35.0	100.0	
	P		-	12446	12523	12593	12616	12655																			12705
	A		-	22.09	22.19	22.28	22.31	22.34																			22.39
<b>SM1854RI</b> - Rubber Mount Kit - Oil Sight Glass - Mineral Oil - Rotalocks Required  <i>Note: service valves &amp; crankcase heater to be purchased separately</i>	W	45.0	25877	31829	38637	46371	50086	55103	249.9	43.48	15.0	3PH	35.0	100.0													
	P		11014	11099	11177	11248	11274	11308																			11356
	A		21.05	21.14	21.22	21.29	21.31	21.34																			21.37
	W	50.0	24409	30136	36686	44131	47708	52542							249.9	43.48	15.0	3PH	35.0	100.0							
	P		12198	12285	12366	12440	12467	12503																			12554
	A		22.45	22.55	22.65	22.72	22.75	22.79																			22.83
	W	55.0	-	28354	34625	41760	45190	49829													249.9	43.48	15.0	3PH	35.0	100.0	
	P		-	13598	13682	13759	13787	13826																			13881
	A		-	24.15	24.25	24.35	24.38	24.42																			24.48

Rating Conditions 11.1k Superheat, 8.3K Subcooling, 35 Deg Ambient .

(Power requirements: 3PH = 380-400V/3/50Hz)

*Note: Service valves & crankcase heaters are not supplied with compressors & should be purchased separately if required.*

# MANEUROP COMPRESSORS

## R22 Scroll Compressors

### Capacities R22

Airefrig Part Number		Refrigeration Capacity - <u>Watts</u>								Consumption - <u>Power</u>		Current - <u>Amps</u>			Weight Kgs
		Condensing Temperature °C								Swept volume cm <sup>3</sup> /rev	Displ m <sup>3</sup> /h	Motor			
		Evaporating Temperature °C										HP	Type	Max. Amps	
		-10	-5	0	5	7.2	10	15							
<b>SY2404MBI</b> - Rubber Mount Kit - Oil Sight Glass - POE Oil - Rotalocks Required  <u>Note:</u> service valves & crankcase heater to be purchased separately	W		35154	43046	52126	62508	67517	74308	87639	347.8	60.5	20.0	3PH	50.0	150.0
	P	45.0	14480	14678	14903	15162	15289	15464	15818						
	A		26.12	26.36	26.64	27.00	27.19	27.47	28.08						
	W		33198	40746	49437	59387	64206	70710	83522						
	P	50.0	15952	16156	16381	16634	16757	16926	17264						
	A		27.96	28.20	28.48	28.85	29.03	29.33	29.95						
	W		-	38365	46648	56146	60758	66976	79251						
	P	55.0	-	17819	18043	18290	18409	18570	18891						
	A		-	30.36	30.62	30.98	31.16	31.45	32.07						
<b>SY3004MBI</b> - Rubber Mount Kit - Oil Sight Glass - POE Oil - Rotalocks Required  <u>Note:</u> service valves & crankcase heater to be purchased separately	W		44566	54697	66499	80145	86775	95805	113650	437.5	76.1	25.0	3PH	69.0	157.0
	P	45.0	17809	18149	18569	19072	19321	19661	20340						
	A		33.04	33.38	33.81	34.38	34.69	35.15	36.17						
	W		42038	51676	62925	75957	82318	90945	108059						
	P	50.0	19627	19950	20355	20845	21088	21423	22092						
	A		35.25	35.63	36.06	36.61	36.90	37.33	38.28						
	W		-	48563	59233	71627	77694	85918	102279						
	P	55.0	-	21984	22372	22846	23083	23411	24069						
	A		-	38.24	38.69	39.22	39.49	39.90	40.79						
<b>SY3804CBI</b> - Rubber Mount Kit - Oil Sight Glass - POE Oil - Stub Tubes  <u>Note:</u> crankcase heater to be purchased separately	W		54907	66826	80572	96329	103944	114281	134615	531.2	92.4	30.0	3PH	79.0	158.0
	P	45.0	21732	22063	22444	22881	23092	23380	23948						
	A		37.62	38.01	38.43	38.98	39.27	39.70	40.67						
	W		51888	63320	76518	91669	99023	108958	128570						
	P	50.0	23969	24267	24619	25028	25229	25503	26049						
	A		40.47	40.87	41.33	41.90	42.20	42.65	43.66						
	W		-	59691	72309	86823	93884	103416	122277						
	P	55.0	-	26762	27076	27452	27638	27895	28412						
	A		-	44.16	44.61	45.16	45.46	45.91	46.91						

Rating Conditions 11.1k Superheat, 8.3K Subcooling, 35 Deg Ambient .

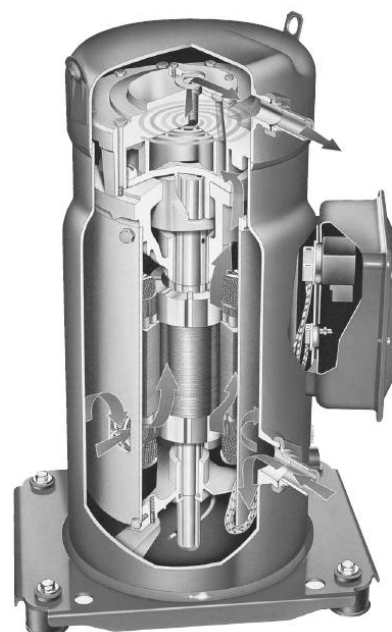
(Power requirements: 3PH = 380-400V/3/50Hz)

Note: Service valves & crankcase heaters are not supplied with compressors & should be purchased separately if required.

### Prices

Airefrig Part Number	List Price Excl GST
SM0844VI	P.O.A.
SM0904VI	P.O.A.
SM1004VI	\$2,989.59
SM1104VI	\$3,040.56
SM1154RI	\$3,040.56
SM1204VI	\$3,133.95
SM1254RI	\$3,133.95
SM1484VI	P.O.A.

Airefrig Part Number	List Price Excl GST
SM1604RAI	\$4,544.85
SM1614VAI	\$4,544.91
SM1754RI	\$4,223.43
SM1854RI	\$4,990.77
SY2404MBI	P.O.A.
SY3004MBI	P.O.A.
SY3804CBI	P.O.A.



# MANEUROP COMPRESSORS

## R407C Scroll Compressors

### Capacities R407C

Airefrig Part Number		Refrigeration Capacity - Watts							Consumption - Power	Swept volume cm <sup>3</sup> /rev	Displ m <sup>3</sup> /h	Current - Amps			Weight Kgs												
		Condensing Temperature °C										Motor															
		Evaporating Temperature °C										HP	Type	Max. Amps													
		-10	-5	0	5	7.2	10	15																			
<b>SZ0844VI</b> - Rubber Mount Kit - Oil Sight Glass - POE Oil - Stub Tubes  <i>Note:</i> crankcase heater to be purchased separately	W	45.0	10433	13161	16363	20090	21909	24390	114.5	19.92	7.0	3PH	17.0	64.0													
	P		4922	4957	4980	4987	4985	4977							4946												
	A		9.70	9.74	9.76	9.76	9.75	9.72							9.65												
	W	50.0	9688	12269	15305	18843	20572	22933							120.5	20.97	7.5	3PH	17.0	65.0							
	P		5480	5521	5550	5565	5567	5563													5541						
	A		10.34	10.40	10.43	10.44	10.44	10.42													10.37						
	W	55.0	-	11321	14175	17510	19143	21375													127.2	22.13	8.0	3PH	19.0	65.0	
	P		-	6150	6187	6210	6216	6217																			6205
	A		-	11.17	11.22	11.25	11.25	11.25																			11.21
W	45.0	11041	13918	17289	21207	23116	25721	122.5	22.13	8.0	3PH	19.0	65.0														
P		5180	5212	5231	5234	5229	5217							5179													
A		10.23	10.27	10.28	10.27	10.25	10.23							10.14													
W	50.0	10250	12974	16171	19891	21707	24185							144.2	25.09	9.0	3PH	20.0	73.0								
P		5777	5814	5838	5846	5844	5836													5804							
A		10.92	10.97	11.00	11.00	10.99	10.97													10.90							
W	55.0	-	11971	14978	18485	20200	22544													155.0	26.97	9.5	3PH	25.0	78.0		
P		-	6488	6517	6531	6532	6528																			6504	
A		-	11.80	11.84	11.86	11.85	11.84																			11.79	
W	45.0	13446	16909	20946	25616	27885	30974	166.6	28.99	10.0	3PH	29.0	73.0														
P		6267	6287	6290	6273	6259	6233																			6165	
A		12.43	12.46	12.46	12.42	12.39	12.34																			12.21	
W	50.0	12477	15761	19592	24029	26188	29128							166.6	28.99	10.0	3PH	29.0	73.0								
P		7029	7048	7050	7031	7016	6989																			6918	
A		13.32	13.36	13.36	13.32	13.30	13.25																			13.12	
W	55.0	-	14541	18149	22335	24374	27157													166.6	28.99	10.0	3PH	29.0	73.0		
P		-	7908	7909	7888	7872	7844																			7771	
A		-	14.41	14.42	14.39	14.36	14.31																			14.19	
W	45.0	14680	18498	22926	28020	30489	33840	166.6	28.99	10.0	3PH	29.0	73.0														
P		6836	6840	6829	6803	6781	6758																			6691	
A		12.26	12.27	12.26	12.22	12.20	12.16																			12.07	
W	50.0	13564	17198	21413	26269	28624	31822							166.6	28.99	10.0	3PH	29.0	73.0								
P		7705	7704	7690	7658	7633	7607																			7534	
A		13.43	13.43	13.41	13.37	13.34	13.30																			13.20	
W	55.0	-	15782	19768	24366	26599	29635													166.6	28.99	10.0	3PH	29.0	73.0		
P		-	8701	8682	8645	8615	8588																			8509	
A		-	14.80	14.77	14.72	14.69	14.65																			14.54	
W	45.0	15760	19767	24412	29773	32380	35930	166.6	28.99	10.0	3PH	29.0	73.0														
P		7276	7297	7285	7241	7210	7161																			7043	
A		14.47	14.50	14.48	14.42	14.37	14.30																			14.11	
W	50.0	14597	18408	22822	27918	30397	33775							166.6	28.99	10.0	3PH	29.0	73.0								
P		8155	8185	8179	8137	8106	8056																			7933	
A		15.54	15.57	15.55	15.48	15.44	15.36																			15.16	
W	55.0	-	16968	21135	25950	28294	31492													166.6	28.99	10.0	3PH	29.0	73.0		
P		-	9178	9184	9151	9123	9075																			8954	
A		-	16.82	16.81	16.74	16.69	16.61																			16.41	

Rating Conditions 11.1k Superheat, 8.3K Subcooling, 35 Deg Ambient .

(Power requirements: 3PH = 380-400V/3/50Hz)

*Note:* Service valves & crankcase heaters are not supplied with compressors & should be purchased separately if required.

# MANEUROP COMPRESSORS

## R407C Scroll Compressors

### Capacities R407C

Airefrig Part Number		Refrigeration Capacity - Watts							Consumption - Power	Swept volume cm <sup>3</sup> /rev	Displ m <sup>3</sup> /h	Current - Amps			Weight Kgs
		Condensing Temperature °C										Motor			
		Evaporating Temperature °C										HP	Type	Max. Amps	
		-10	-5	0	5	7.2	10	15							
<b>SZ1254RI</b> - Rubber Mount Kit - Oil Sight Glass - POE Oil - Rotalocks Required	W	45.0	15614	19677	24387	29808	32433	35999	166.6	28.99	10.0	3PH	25.0	78.0	
	P		7201	7204	7193	7165	7149	7118							7047
	A		13.33	13.33	13.32	13.28	13.26	13.22							13.12
	W	50.0	14427	18294	22780	27946	30450	33855							40567
	P		8114	8114	8098	8065	8047	8012							7934
	A		14.59	14.59	14.57	14.53	14.50	14.45							14.34
<i>Note: service valves &amp; crankcase heater to be purchased separately</i>	W	55.0	-	16790	21031	25923	28298	31529	37910						
P	-		9162	9142	9103	9084	9043	8959							
A	-		16.08	16.06	16.00	15.97	15.92	15.80							
<b>SZ1484VI</b> - Rubber Mount Kit - Oil Sight Glass - POE Oil - Stub Tubes	W	45.0	19339	24144	29751	36258	39432	43763	199.0	34.60	12.0	3PH	32.0	88.0	
	P		8797	8831	8854	8871	8878	8887							8906
	A		16.32	16.36	16.39	16.40	16.40	16.40							16.40
	W	50.0	18085	22645	27967	34150	37169	41292							49491
	P		9870	9904	9924	9935	9938	9941							9947
	A		17.62	17.68	17.71	17.71	17.71	17.70							17.68
<i>Note: crankcase heater to be purchased separately</i>	W	55.0	-	21091	26113	31956	34812	38719	46502						
P	-		11124	11142	11147	11147	11144	11137							
A	-		19.22	19.26	19.26	19.26	19.25	19.21							
<b>SZ1604RI</b> - Rubber Mount Kit - Oil Sight Glass - POE Oil - Rotalocks Required	W	45.0	21269	26579	32781	39982	43496	48292	216.6	37.69	13.0	3PH	29.0	90.0	
	P		9366	9439	9489	9518	9525	9528							9522
	A		17.07	17.14	17.18	17.21	17.22	17.22							17.22
	W	50.0	19863	24893	30774	37615	40957	45525							54610
	P		10466	10549	10608	10644	10653	10660							10658
	A		18.41	18.50	18.56	18.60	18.63	18.64							18.66
<i>Note: service valves &amp; crankcase heater to be purchased separately</i>	W	55.0	-	23115	28644	35094	38252	42573	51191						
P	-		11800	11866	11910	11922	11931	11933							
A	-		20.09	20.15	20.21	20.24	20.26	20.30							
<b>SZ1614VI</b> - Rubber Mount Kit - Oil Sight Glass - POE Oil - Stub Tubes	W	45.0	20912	26109	32176	39224	42663	47360	216.6	37.69	13.0	3PH	32.0	88.0	
	P		9466	9500	9524	9545	9555	9569							9603
	A		17.57	17.61	17.64	17.65	17.65	17.65							17.65
	W	50.0	19559	24492	30252	36950	40221	44692							53590
	P		10625	10659	10680	10694	10700	10709							10729
	A		18.97	19.03	19.06	19.06	19.07	19.05							19.03
<i>Note: crankcase heater to be purchased separately</i>	W	55.0	-	22881	28248	34578	37676	41913	50360						
P	-		11974	11993	12001	12004	12007	12015							
A	-		20.69	20.73	20.74	20.74	20.72	20.68							
<b>SZ1754RI</b> - Rubber Mount Kit - Oil Sight Glass - POE Oil - Rotalocks Required	W	45.0	22178	27769	34263	41749	45380	50314	233.0	40.54	14.0	3PH	35.0	100.0	
	P		10102	10166	10215	10246	10253	10255							10237
	A		19.07	19.17	19.24	19.29	19.30	19.30							19.27
	W	50.0	20623	25927	32093	39207	42661	47358							56632
	P		11302	11370	11424	11460	11469	11474							11462
	A		20.58	20.68	20.77	20.83	20.84	20.85							20.83
<i>Note: service valves &amp; crankcase heater to be purchased separately</i>	W	55.0	-	23959	29767	36481	39746	44189	52978						
P	-		12728	12786	12828	12840	12848	12843							
A	-		22.46	22.56	22.63	22.65	22.66	22.66							
<b>SZ1854RI</b> - Rubber Mount Kit - Oil Sight Glass - POE Oil - Rotalocks Required	W	45.0	23829	29837	36815	44858	48759	54061	249.9	43.48	15.0	3PH	35.0	100.0	
	P		10863	10932	10985	11019	11026	11028							11009
	A		20.50	20.61	20.69	20.74	20.75	20.75							20.71
	W	50.0	22159	27858	34483	42127	45838	50885							60850
	P		12153	12226	12284	12322	12333	12338							12326
	A		22.12	22.24	22.33	22.39	22.41	22.41							22.39
<i>Note: service valves &amp; crankcase heater to be purchased separately</i>	W	55.0	-	25744	31984	39198	42705	47480	56924						
P	-		13684	13747	13792	13805	13814	13809							
A	-		24.15	24.25	24.33	24.35	24.36	24.36							

Rating Conditions 11.1k Superheat, 8.3K Subcooling, 35 Deg Ambient .

(Power requirements: 3PH = 380-400V/3/50Hz)

*Note: Service valves & crankcase heaters are not supplied with compressors & should be purchased separately if required.*

# MANEUROP COMPRESSORS

## R407C Scroll Compressors

### Capacities R407C

Airefrig Part Number		Refrigeration Capacity - <u>Watts</u>								Consumption - <u>Power</u>		Current - <u>Amps</u>			Weight Kgs
		Condensing Temperature °C								Swept volume cm <sup>3</sup> /rev	Displ m <sup>3</sup> /h	Motor			
		Evaporating Temperature °C										HP	Type	Max. Amps	
		-10	-5	0	5	7.2	10	15							
<b>SZ2404AMBI</b> - Rubber Mount Kit - Oil Sight Glass - POE Oil - Rotalocks Required  <i>Note:</i> service valves & crankcase heater to be purchased separately	W		32346	40509	50042	61115	66513	73899	88564	347.8	60.5	20.0	3PH	50.0	150.0
	P	45.0	14587	14761	14954	15157	15246	15357	15543						
	A		26.05	26.33	26.56	26.77	26.87	27.00	27.27						
	W		30210	37949	46990	57503	62639	69660	83632						
	P	50.0	16188	16370	16580	16806	16909	17037	17.262						
	A		28.06	28.37	28.63	28.87	28.99	29.12	29.41						
	W		28019	35309	43831	53759	58622	65264	78519						
	P	55.0	18013	18203	18428	18676	18792	18937	19200						
	A		30.38	30.75	31.07	31.35	31.49	31.65	31.98						
<b>SZ3004MBI</b> - Rubber Mount Kit - Oil Sight Glass - POE Oil - Rotalocks Required  <i>Note:</i> service valves & crankcase heater to be purchased separately	W		40759	50408	61673	74753	81134	89844	107142	437.5	76.1	25.0	3PH	69.0	157.0
	P	45.0	17555	17863	18163	18463	18594	18768	19086						
	A		31.98	32.32	32.64	32.97	33.18	33.36	33.84						
	W		38330	47510	58247	70736	76838	85177	101766						
	P	50.0	19504	19870	20222	20566	20714	20908	21254						
	A		34.33	34.73	35.12	35.52	35.78	35.98	36.54						
	W		35740	44388	54531	66367	72163	80095	95915						
	P	55.0	21634	22061	22466	22857	23022	23238	23616						
	A		36.99	37.46	37.91	38.38	38.68	38.91	39.54						
<b>SZ3804CBI</b> - Rubber Mount Kit - Oil Sight Glass - POE Oil - Stub Tubes  <i>Note:</i> crankcase heater to be purchased separately	W		50534	62466	76366	92461	100296	110977	132142	531.2	92.4	30.0	3PH	79.0	158.0
	P	45.0	21634	21995	22322	22636	22775	22959	23312						
	A		36.95	37.49	38.00	38.47	38.65	38.87	39.18						
	W		47377	58718	71932	87248	94711	104893	125095						
	P	50.0	23979	24381	24735	25062	25203	25384	25723						
	A		39.99	40.60	41.15	41.62	41.78	41.98	42.23						
	W		44055	54766	67256	81754	88830	98492	117697						
	P	55.0	26591	27045	27437	27787	27934	28118	28452						
	A		43.47	44.18	44.78	45.28	45.45	45.64	45.85						

Rating Conditions 11.1k Superheat, 8.3K Subcooling, 35 Deg Ambient .

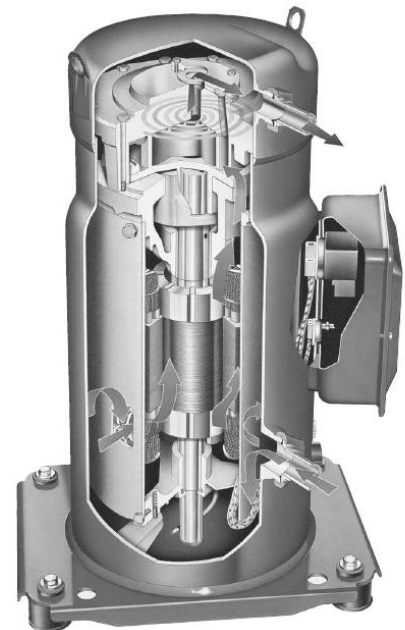
(Power requirements: 3PH = 380-400V/3/50Hz)

*Note:* Service valves & crankcase heaters are not supplied with compressors & should be purchased separately if required.

### Prices

Airefrig Part Number	List Price Excl GST
SZ0844VI	P.O.A.
SZ0904VI	P.O.A.
SZ1004VI	P.O.A.
SZ1104VI	\$3,162.18
SZ1154RI	\$3,415.14
SZ1204VI	\$3,259.32
SZ1254RI	P.O.A.
SZ1484VI	P.O.A.

Airefrig Part Number	List Price Excl GST
SZ1604RI	P.O.A.
SZ1614V1I	P.O.A.
SZ1754RI	P.O.A.
SZ1854RI	\$5,190.42
SZ240A4MBI	\$7,335.78
SZ3004MBI	P.O.A.
SZ3804CBI	P.O.A.



# MANEUROP COMPRESSORS

## Scroll Compressors Specifications & Dimensions

Airefrig Part Number	Suction Connections				Discharge Connections				Crankcase Heater (Belt Type)	* Oil charge Litres
	Type	ODF	Valve No.	Gasket No.	Type	ODF	Valve No.	Gasket No.		
SM / SZ 0844VI	Stub Tube	1-1/8"	-	-	Stub Tube	3/4"	-	-	7773107 230 volts 65 watts	3.3
SM / SZ 0904VI	Stub Tube	1-1/8"	-	-	Stub Tube	3/4"	-	-		3.3
SM / SZ 1004VI	Stub Tube	1-1/8"	-	-	Stub Tube	3/4"	-	-		3.3
SM / SZ 1104VI	Stub Tube	1-3/8"	-	-	Stub Tube	7/8"	-	-		3.3
SM / SZ 1154RI	Rotalock 1-3/4 12UNF	1-1/8"	17016703	020002803	Rotalock 1-3/4 12UNF	3/4"	2605122030	020002802		3.8
SM / SZ 1204VI	Stub Tube	1-3/8"	-	-	Stub Tube	7/8"	-	-		3.3
SM / SZ 1254RI	Rotalock 1-3/4 12UNF	1-1/8"	17016703	020002803	Rotalock 1-3/4 12UNF	3/4"	2605122030	020002802		3.8
SM / SZ 1484VI	Stub Tube	1-3/8"	-	-	Stub Tube	7/8"	-	-		3.6
SM / SZ 1604RI	Rotalock 2-1/4 12UNF	1-3/8"	V08	020094100	Rotalock 1-3/4 12UNF	7/8"	V07	020002803		4.0
SM / SZ 1614VI	Stub Tube	1-3/8"	-	-	Stub Tube	7/8"	-	-		3.6
SM / SZ 1754RI	Rotalock 2-1/4 12UNF	1-3/8"	V08	020094100	Rotalock 1-3/4 12UNF	7/8"	V07	020002803	7773008 240 volts 75 watts	6.2
SM / SZ 1854RI	Rotalock 2-1/4 12UNF	1-3/8"	V08	020094100	Rotalock 1-3/4 12UNF	7/8"	V07	020002803	6.2	
SY / SZ 2404MBI	Rotalock 2-1/4 12UNF	1-3/8"	V08	020094100	Rotalock 1-3/4 12UNF	7/8"	V07	020002803	7773122 230 volts 130 watts	8.0
SY / SZ 3004MBI	Rotalock 2-1/4 12UNF	1-3/8"	V08	020094100	Rotalock 1-3/4 12UNF	7/8"	V07	020002803		8.0
SY / SZ 3804CBI	Stub Tube	2-1/8"	-	-	Stub Tube	1-3/8"	-	-		8.4

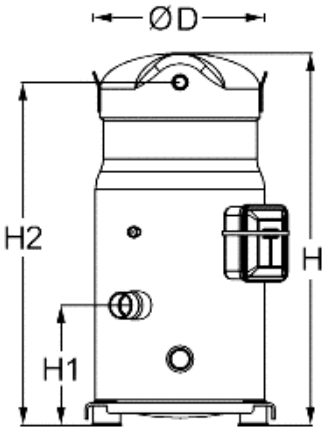
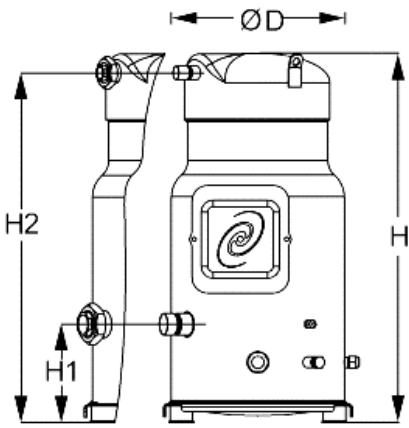
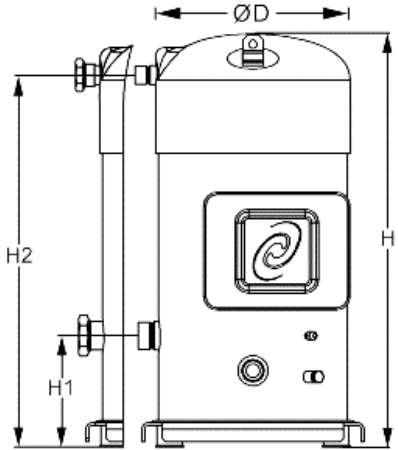
\* Note: SM compressor: 160P mineral oil

SZ compressor: 160SZ P.O.E. oil

SY compressor: 320SZ P.O.E. oil

## Scroll Compressor Dimensions

Model	D	H	H1	H2	Model	D	H	H1	H2	Model	D	H	H1	H2
SM/SZ 084	254	508	142	465	SM/SZ 115	254	586	180	538	SZ/SY 240	344	729	196	656
SM/SZ 090	254	508	142	465	SM/SZ 125	254	586	180	538	SZ/SY 300	344	740	196	667
SM/SZ 100	254	508	142	465	SM/SZ 160	266	631	180	596	SZ/SY 380	344	770	203	695
SM/SZ 110	254	558	179	515	SM/SZ 175	316	678	180	641					
SM/SZ 120	254	558	179	515	SM/SZ 185	316	678	180	641					
SM/SZ 148	266	591	180	556										
SM/SZ 161	266	591	180	556										



# MANEUROP COMPRESSORS

## Electrical Details Contactors & Thermal Overloads Options

Airefrig Part Number	Resistance OHMS (+/- 7% @ 25°C )	Locked Rotor	Maximum Continuous Current	3Ø Contactor	3Ø Thermal Overload	3Ø Electronic Overload <i>Includes phase loss &amp; imbalance protection</i>
SM/SZ 084	Line to Line 1.74	86.0 amps	17.0 amps	MC18B240V (AC-3 Rating 18A)	MT323K18 (12-18 amps)	GMP223P22A (4.4-22.0amps)
SM/SZ 090	Line to Line 1.48	98.0amps	17.0 amps	MC18B240V (AC-3 Rating 18A)	MT323K18 (12-18 amps)	GMP223P22A (4.4-22.0amps)
SM/SZ 100	Line to Line 1.48	98.0 amps	19.0 amps	MC22B240V (AC-3 Rating 22A)	MT323K22 (16-22 amps)	GMP223P22A (4.4-22.0amps)
SM/SZ 110	Line to Line 1.05	130.0 amps	22.0 amps	MC32A240V (AC-3 Rating 32A)	MT323K25 (18-25 amps)	GMP403P40A (8.0-40.0amps)
SM/SZ 115	Line to Line 1.16	120.0 amps	25.0 amps	MC32A240V (AC-3 Rating 32A)	MT323K25 (18-25 amps)	GMP403P40A (8.0-40.0amps)
SM/SZ 120	Line to Line 1.05	130.0 amps	29.0 amps	MC32A240V (AC-3 Rating 32A)	MT323K32 (22-32 amps)	GMP403P40A (8.0-40.0amps)
SM/SZ 125	Line to Line 1.16	120.0 amps	25.0 amps	MC32A240V (AC-3 Rating 32A)	MT323K25 (18-25 amps)	GMP403P40A (8.0-40.0amps)
SM/SZ 148	Line to Line 0.94	145.0 amps	32.0 amps	MC40A240V (AC-3 Rating 40A)	MT323K32 (22-32 amps)	GMP403P40A (8.0-40.0amps)
SM/SZ 160	Line to Line 0.94	155.0 amps	29.0 amps	MC32A240V (AC-3 Rating 32A)	MT323K32 (22-32 amps)	GMP403P40A (8.0-40.0amps)
SM/SZ 161	Line to Line 0.94	145.0 amps	32.0 amps	MC40A240V (AC-3 Rating 40A)	MT323K32 (22-32 amps)	GMP403P40A (8.0-40.0amps)
SM/SZ 175	Line to Line 0.94	155.0 amps	35.0 amps	MC40A240V (AC-3 Rating 40A)	MT323K40 (28-40 amps)	GMP403P40A (8.0-40.0amps)
SM/SZ 185	Line to Line 0.77	175.0 amps	35.0 amps	MC40A240V (AC-3 Rating 40A)	MT323K40 (28-40 amps)	GMP403P40A (8.0-40.0amps)
SZ/SY 240	Line to Line 0.616	215.0 amps	50.0 amps	MC65A240V (AC-3 Rating 65A)	MT633K65 (45-65 amps)	-
SZ/SY 300	Line to Line 0.516	270.0 amps	69.0 amps	MC75A240V (AC-3 Rating 75A)	MT953K75 (54-75 amps)	-
SZ/SY 380	Line to Line 0.456	320.0 amps	79.0 amps	MC85A240V (AC-3 Rating 85A)	MT953K85 (63-85 amps)	-

