

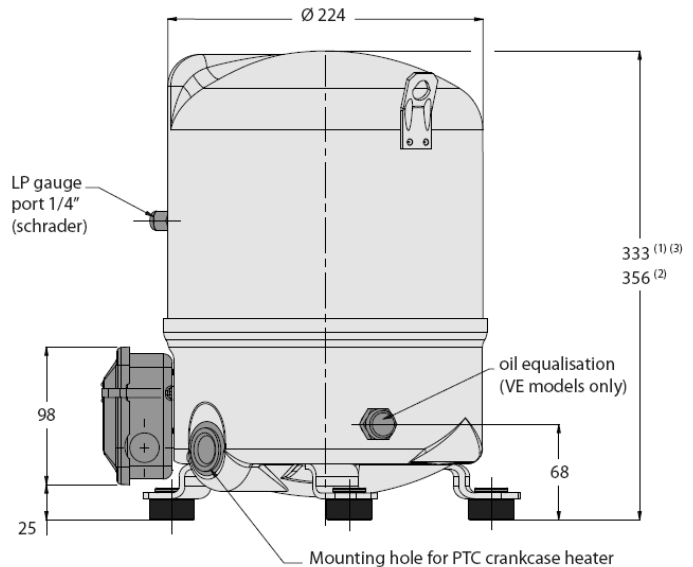
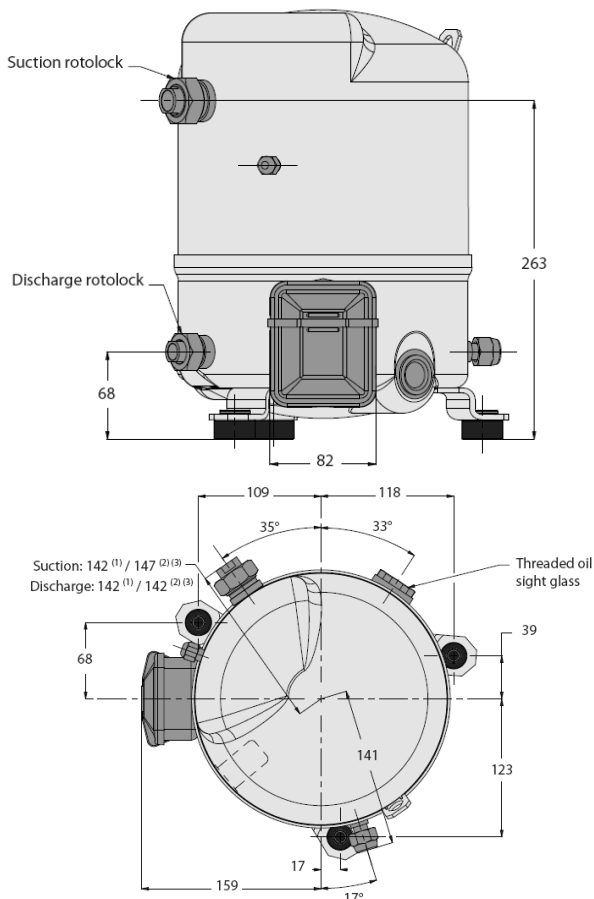
# MANEUROP COMPRESSORS

## MTZ & NTZ (1 Cylinder) Reciprocating Compressors

### Dimensions & Specifications

Airefrig Part Number	Suction Service Valve	Suction Service Gasket	Discharge Service Valve	Discharge Service Gasket	CSR Electrical Start kit (relay & capacitors)	Crankcase Heater	Oil charge Litres
MTZ185VI	15702303 1"-14UNF x 1/2" ODF	020002800	15702903 1"-14UNF x 3/8" OD	020002800	7701022	120Z0459 PTC Internal heater 200-600 volts 35 watts	0.95
MTZ184VI					n/a		
MTZ225VI					7701022		
MTZ224VI					n/a		
MTZ285VI					7701022		
MTZ284VI					n/a		
MTZ325VI	17610903 1 1/4"-12UNF x 5/8" ODF	020002802	15702303 1"-14UNF x 1/2" ODF	020002800	7701023	120Z0459 PTC Internal heater 200-600 volts 35 watts	0.95
MTZ324VI					n/a		
MTZ365VI					7701023		
MTZ364VI					n/a		
MTZ404VI					n/a		
NTZ0485LR1	17610903 1 1/4"-12UNF x 5/8" ODF	020002802	15702303 1"-14UNF x 1/2" ODF	020002800	7701022	120Z0459 PTC Internal heater 200-600 volts 35 watts	0.95
NTZ048A4LR1					n/a		
NTZ0685LR1					7701022		
NTZ068A4LR1A					n/a		

Note: 2x run capacitors are supplied in 7701022 & 7701023 kits & must be wired in parallel for all CSR & PSC applications unless wired for a trickle circuit. Trickle circuit option provides crankcase heating by feeding a small current to the auxiliary winding & run capacitor eliminating the need for a crankcase heater (Trickle circuit suitable for MTZ18-22 & NTZ48-68, all other 1 phase compressors require a PTC crankcase heater)



- (1) MTZ18-4/5, MTZ22-4/5, MTZ8-4/5, MTZ18-4/5
- (2) MTZ32-4/5, MTZ36-4/5, MTZ40-4
- (3) NTZ48-4/5, NTZ68-4/5

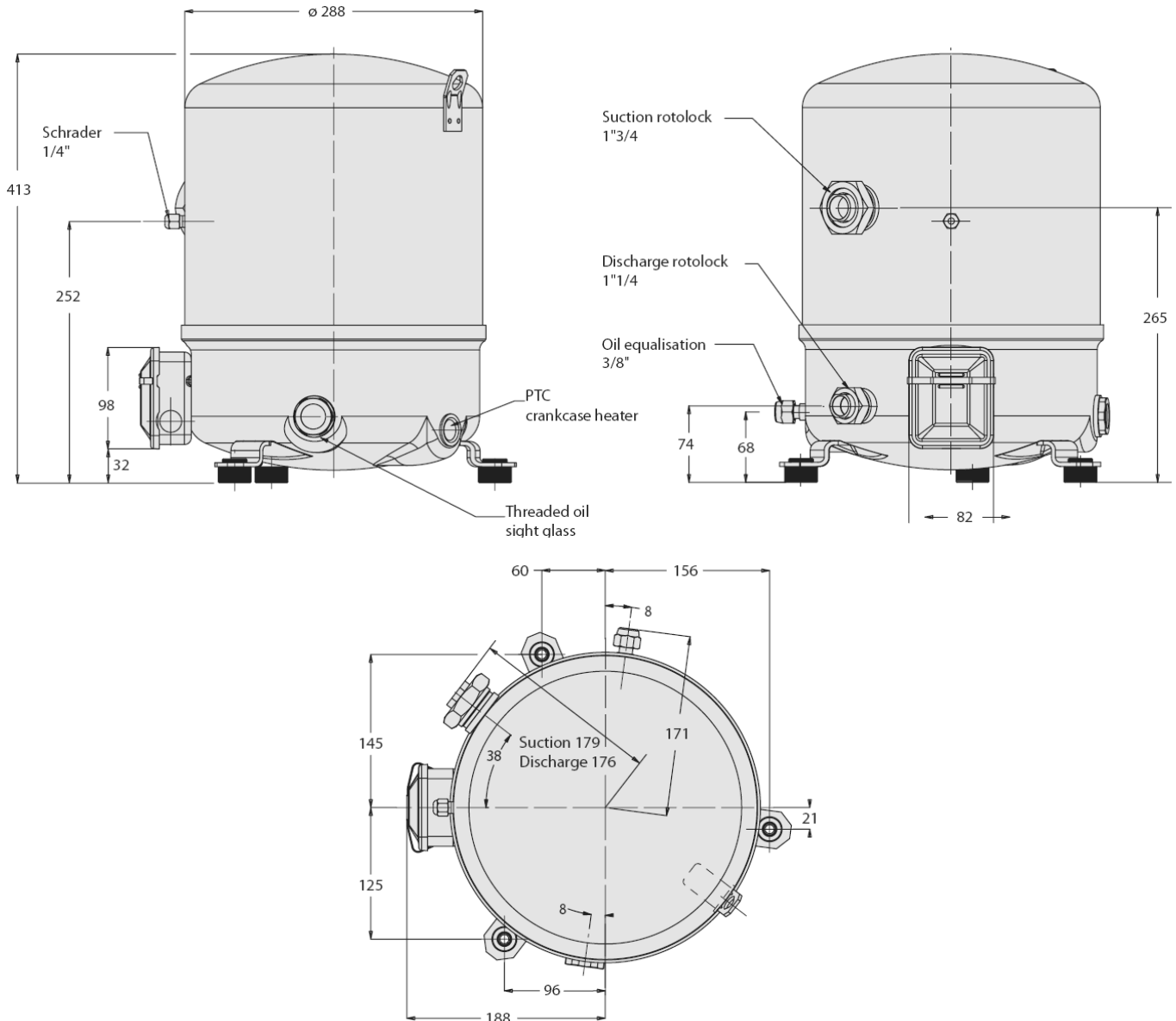
# MANEUROP COMPRESSORS

## MTZ & NTZ (2 Cylinder) Reciprocating Compressors

### Dimensions & Specifications

Airefrig Part Number	Suction Service Valve	Suction Service Gasket	Discharge Service Valve	Discharge Service Gasket	CSR Electrical Start kit (relay & capacitors)	Crankcase Heater	Oil charge Litres
MTZ454VI	17013803 1 3/4"-12UNF x 1 1/8" ODF	020002803	16003903 1 1/4"-12UNF x 3/4"ODF	020002802	n/a	120Z0459 PTC Internal heater 200-600 volts 35 watts	1.8
MTZ514VI							
MTZ574VI							
MTZ654VI							
MTZ724VI							
MTZ814VI							

NTZ096A4LR1A	17013803 1 3/4"-12UNF x 1 1/8" ODF	020002803	16003903 1 1/4"-12UNF x 3/4"ODF	020002802	n/a	120Z0459 PTC Internal heater 200-600 volts 35 watts	1.8
NTZ1084LR1							
NTZ136A4LR1A							



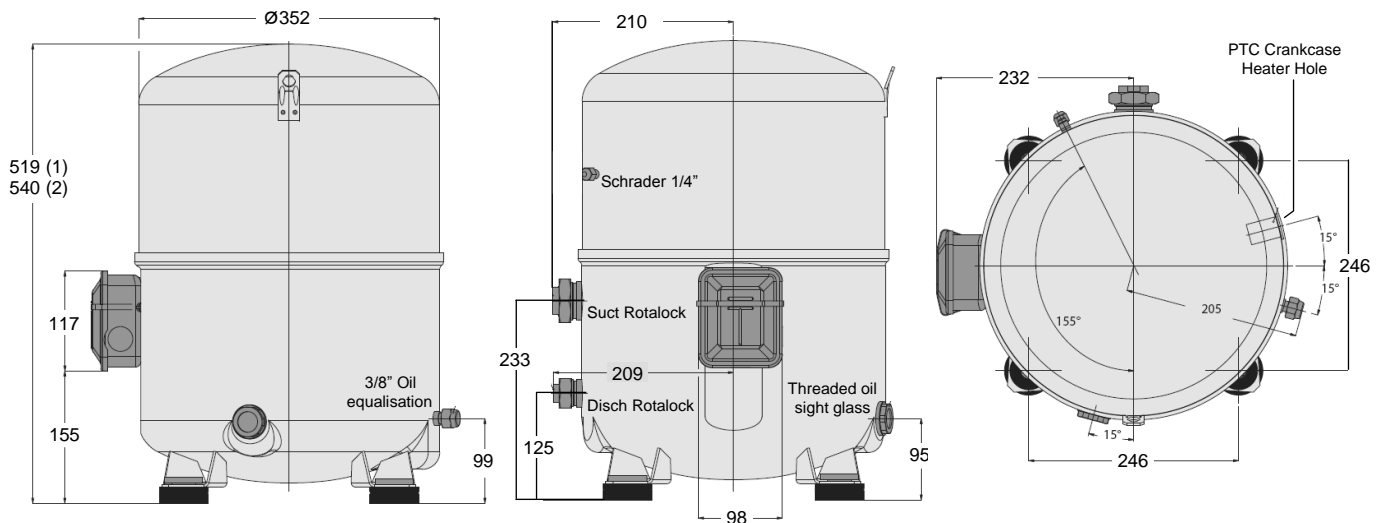
# MANEUROP COMPRESSORS

## MTZ & NTZ (4 Cylinder) Reciprocating Compressors

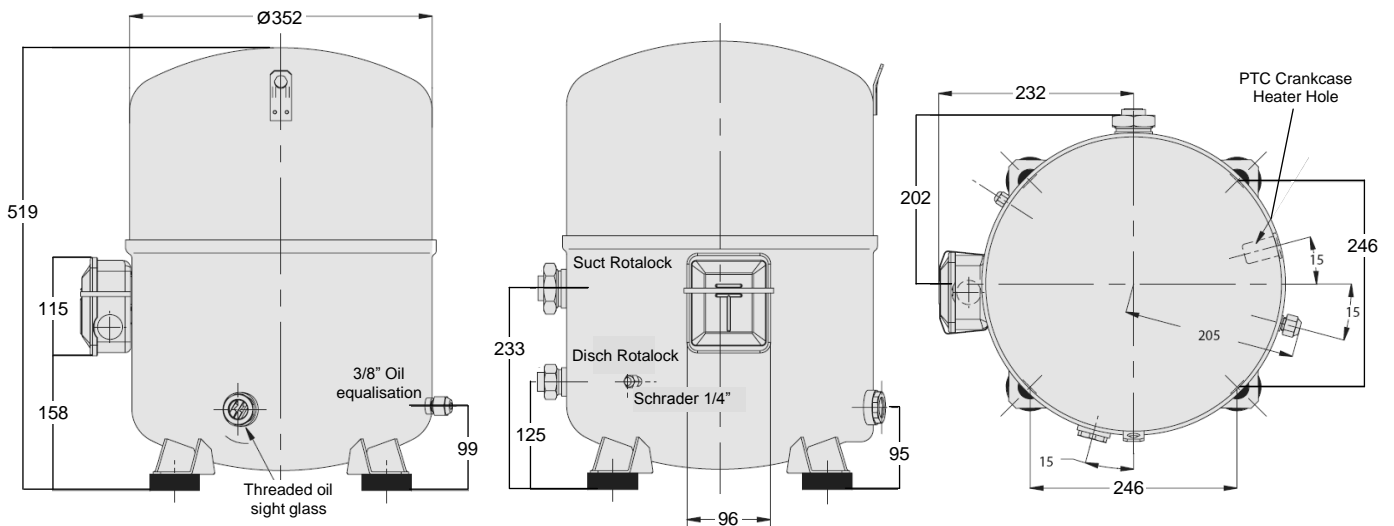
### Dimensions & Specifications

Airefrig Part Number	Suction Service Valve	Suction Service Gasket	Discharge Service Valve	Discharge Service Gasket	CSR Electrical Start kit (relay & capacitors)	Crankcase Heater	Oil charge Litres
MTZ1004VI	17013803 1 3/4"-12UNF x 1 1/8" ODF	020002803	16003903 1 1/4"-12UNF x 3/4"ODF	020002802	n/a	120Z0459 PTC Internal heater 200-600 volts 35 watts	3.9
MTZ1254VI							
MTZ1444VI							
MTZ1604VI							

NTZ2154LR1	17013803 1 3/4"-12UNF x 1 1/8" ODF	020002803	16003903 1 1/4"-12UNF x 3/4"ODF	020002802	n/a	120Z0459 PTC Internal heater	3.9
NTZ271A4LR1A							



- (1) MTZ1004VI , MTZ1254VI
- (2) MTZ1444VI , MTZ1604VI



NTZ2154LR1 , NTZ271A4LR1A