

Danfoss

Condensing Units

Danfoss condensing units are available for use with R134a, R404A & R507 refrigerants. Other refrigerant options are available upon request.

The Danfoss Black Star range of units are suitable for light commercial applications such as display counters, small cold rooms and catering appliances etc.

For 75 years Danfoss has gained market leading experience in all aspects of the refrigeration & air conditioning industry and have production facilities around the world capable of turning out 250,000 units each day.

Danfoss employs the very latest in quality control equipment & all manufacturing plants have to apply and adhere to the ISO 9000 and 14001 certifications – international standards that require companies to develop and maintain a quality of environmental management system.



DANFOSS HERMETIC CONDENSING UNITS

R134A – Condensing Units

Airefrig Part Number	Danfoss Code Number	App.	Refrigeration Capacity Watts											Nom HP	Current Consumption (Amps)		List Price Excl GST
			Evaporating Temperature °C												-25	+5	
			-35	-30	-25	-20	-15	-10	-5	0	+5	+10	+15				
PL35GXN0 *	114G0503	L-HBP	-	-	51	68	87	108	131	156	183	212	-	1/16	0.54	0.63	P.O.A.
PL50FXN0 *	114G0502	LBP	-	-	62	80	100	124	151	180	-	-	-	1/12	1.31	-	P.O.A.
TL3GXT2	114G1705	L-HBP	37	52	69	91	117	147	181	220	263	309	359	1/12	0.88	1.03	P.O.A.
TL4GXT2	114G1706	L-HBP	49	67	89	115	146	182	222	269	320	377	439	1/10	1.03	1.19	P.O.A.
TL5GXT2	114G1608	L-HBP	62	83	108	139	175	217	264	317	374	436	502	1/8	1.16	1.43	\$763.39
FR6GXT2	114G2715	L-HBP	74	106	142	185	235	294	361	437	522	617	-	1/6	1.07	1.40	P.O.A.
FR7.5GXT2	114G2718	L-HBP	81	114	154	201	257	321	395	478	571	674	-	1/5	1.11	1.61	P.O.A.
FR8.5GXT2	114G2716	L-HBP	103	141	186	240	303	376	458	550	652	762	-	1/4	1.41	1.91	\$814.14
FR10GXT2	114G2719	L-HBP	108	149	197	254	320	396	483	580	688	805	-	1/4	1.77	2.29	\$823.59
FR11GXT2	114G3717	L-HBP	89	168	246	327	414	510	616	737	875	-	-	1/3	1.87	2.60	\$870.94
SC12GXT2	114G3726	L-HBP	136	202	285	381	490	610	741	880	1029	1185	1349	1/3	2.07	2.83	\$908.81
SC15GXT2	114G4727	H-LBP	-	-	348	463	591	731	882	1045	1220	1405	1603	3/8	2.54	3.39	\$949.83
SC18GXT2	114G5728	L-HBP	-	-	404	531	673	833	1011	1210	1432	1682	1962	1/2	2.91	3.96	\$994.00
SC21GXT2	114G5730	L-HBP	-	-	474	622	792	981	1189	1414	1652	1902	2160	5/8	2.64	4.22	\$1,189.65

- Capacities based on CECOMAF conditions: Ambient +32°C, Suction Gas Temperature +32°C, Temperature of refrigerant @ condenser outlet is subcooled within the condensing limits of the unit.
- Voltage range 198-254V 50Hz
- Units above are fitted with liquid receivers & liquid & suction service valves. (* No receiver or service valves fitted)

R134A Unit Information

Unit Model Number	Connections		Weight	Receiver R134A @90%
	Suction	Liquid		
PL35GXN0	6.0 mm	5.0 mm	7.1 kg	n/a
PL50FXN0	6.0 mm	5.0 mm	7.1 kg	n/a
TL3GXT2	1/4 flare	1/4 flare	11.2 kg	0.75 kg
TL4GXT2	1/4 flare	1/4 flare	12.1 kg	0.75 kg
TL5GXT2	1/4 flare	1/4 flare	13.0 kg	0.75 kg
FR6GXT2	3/8 flare	1/4 flare	16.2 kg	0.75 kg
FR7.5GXT2	3/8 flare	1/4 flare	16.2 kg	0.75 kg

Unit Model Number	Connections		Weight	Receiver R134A @90%
	Suction	Liquid		
FR8.5GXT2	3/8 flare	1/4 flare	16.2 kg	0.75 kg
FR10GXT2	3/8 flare	1/4 flare	16.2 kg	0.75 kg
FR11GXT2	3/8 flare	1/4 flare	18.3 kg	1.04 kg
SC12GXT2	3/8 flare	1/4 flare	20.5 kg	1.04 kg
SC18FXT2	3/8 flare	1/4 flare	19.6 kg	1.04 kg
SC18GXT2	3/8 flare	1/4 flare	21.4 kg	1.04 kg
SC21GXT2	3/8 flare	1/4 flare	22.2 kg	1.04 kg

DANFOSS HERMETIC CONDENSING UNITS

R404A (R507) –Condensing Units

R404A (R507) - Low Temperature

Airefrig Part Number	Danfoss Code Number	App.	Refrigeration Capacity Watts									Nom HP	Current Consumption @ -25C (Amps)	List Price Excl GST
			Evaporating Temperature °C											
			-45	-40	-35	-30	-25	-20	-15	-10	-5			
TL4CLXT2	114H2706	LBP	64	85	110	141	177	218	265	318	378	1/4	1.24	P.O.A.
FR6CLXT2	114H2726		91	128	171	219	273	332	397	468	542	1/3	1.64	\$814.14
FR8.5CLXT2	114H3728		130	161	208	268	340	420	508	599	692	1/3	2.17	\$867.76
SC10CLXT2	114H3730		-	-	216	300	393	496	609	730	860	1/2	2.39	\$911.96
SC12CLXT2	114H4731		129	220	320	429	547	672	804	943	1088	1/2	3.06	\$952.98
SC15CLXT2	114H5732		198	292	400	521	654	799	955	1122	1298	5/8	3.45	\$987.70
SC18CLXT2	114H5733		232	349	475	610	751	899	1052	1212	1379	3/4	3.76	\$1,088.68
SC21CLXT2	114H5734		291	405	535	680	840	1014	1202	1407	-	7/8	4.09	\$1,094.98
GS34CLXT2	114X1781		450	650	850	1100	1350	1625	1900	2200	-	1.5	7.16	\$2,307.48

- Capacities based on CECOMAF conditions: Ambient +32°C, Suction Gas Temperature +32°C, Temperature of refrigerant @ condenser outlet is subcooled within the condensing limits of the unit.
- Voltage range 198-254V 50Hz.
- All units above are fitted with liquid receivers, liquid & suction service valves.

R404A (R507) - High/Medium Temperature

Airefrig Part Number	Danfoss Code Number	App.	Refrigeration Capacity Watts							Nom HP	Current Consumption @ +5C (Amps)	List Price Excl GST
			Evaporating Temperature °C									
			-20	-15	-10	-5	0	+5	+10			
TL4DLXT2	114H2729	HBP	-	265	314	377	450	528	588	1/4	1.73	P.O.A.
FR6DLXT2	114H3727		-	428	511	603	705	812	923	1/3	2.77	\$870.94
SC10DLXT2	114H5743		-	661	811	977	1159	1351	-	1/2	4.70	\$1,091.83
SC12DLXT2	114H5744		-	831	1015	1210	1415	-	-	1/2	5.40	\$1,110.76
SC15DLXT2	114H6745		-	961	1167	1395	1641	1901	-	3/4	6.60	\$1,341.10
SC18MLXT2	114X2757		1062	1287	1538	1816	2116	2437	-	5/8	6.40	\$1,558.06
GS21MLXT2	114X2765		1165	1410	1665	1925	2195	2460	-	7/8	6.36	\$1,774.99
GS34MLXT2	114X2881		1900	2350	2800	3250	3725	4200	-	1.5	10.20	\$2,398.20

- Capacities based on CECOMAF conditions: Ambient +32°C, Suction Gas Temperature +32°C, Temperature of refrigerant @ condenser outlet is subcooled within the condensing limits of the unit.
- Voltage range 198-254V 50Hz.
- All units above are fitted with liquid receivers & liquid & suction service valves.

R404A (R507) Unit Information – Low Temp

Unit Model Number	Connections		Weight	Receiver R404A @90%
	Suction	Liquid		
TL4CLXT2	3/8 flare	1/4 flare	13.2 kg	0.65 kg
FR6CLXT2	3/8 flare	1/4 flare	16.2 kg	0.65 kg
FR8.5CLXT2	3/8 flare	1/4 flare	18.2 kg	0.89 kg
SC10CLXT2	3/8 flare	1/4 flare	21.5 kg	0.89 kg
SC12CLXT2	3/8 flare	1/4 flare	25.1 kg	0.89 kg
SC15CLXT2	3/8 flare	1/4 flare	25.1 kg	0.89 kg
SC18CLXT2	3/8 flare	1/4 flare	26.3 kg	0.89 kg
SC21CLXT2	3/8 flare	1/4 flare	27.1 kg	0.89 kg
GS34CLXT2	5/8ODS	3/8ODS	42.0 kg	1.94 kg

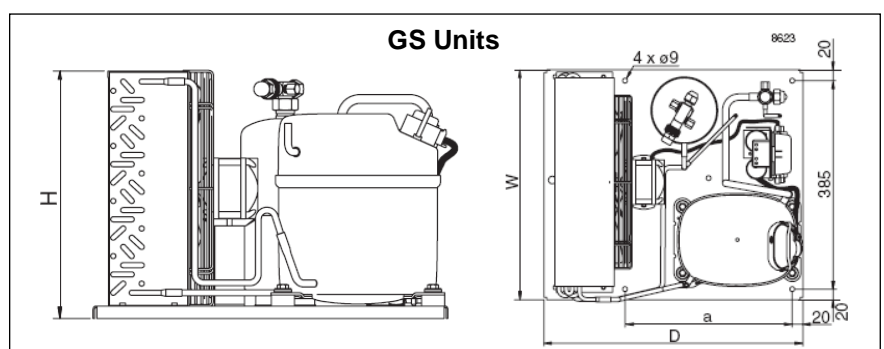
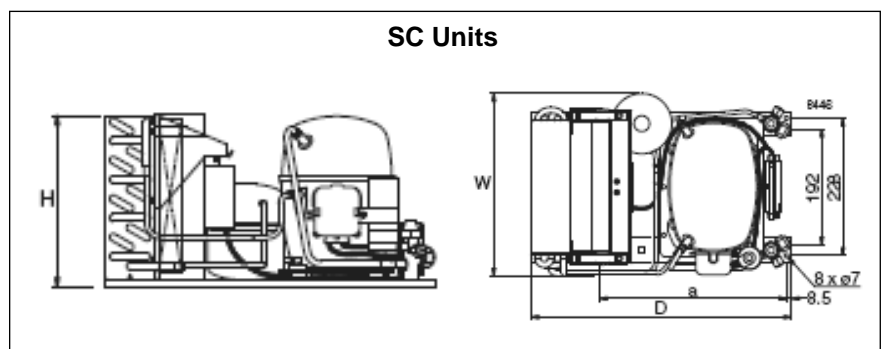
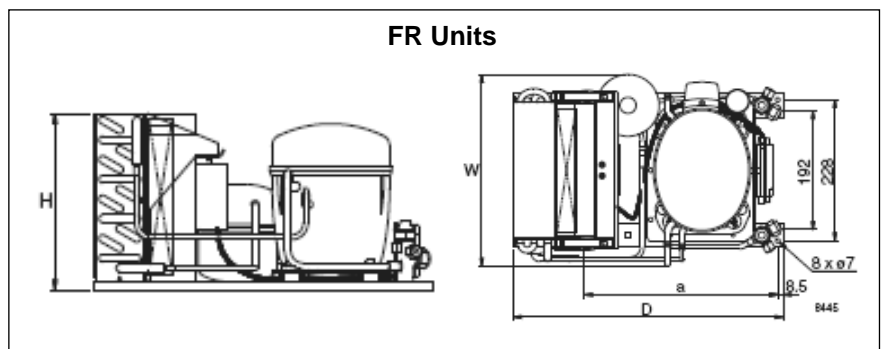
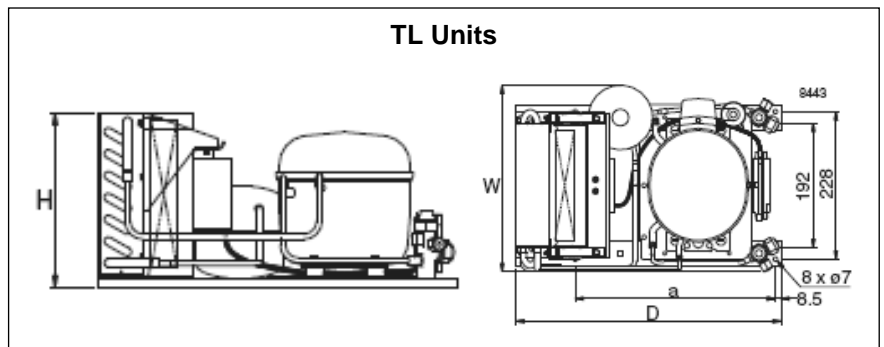
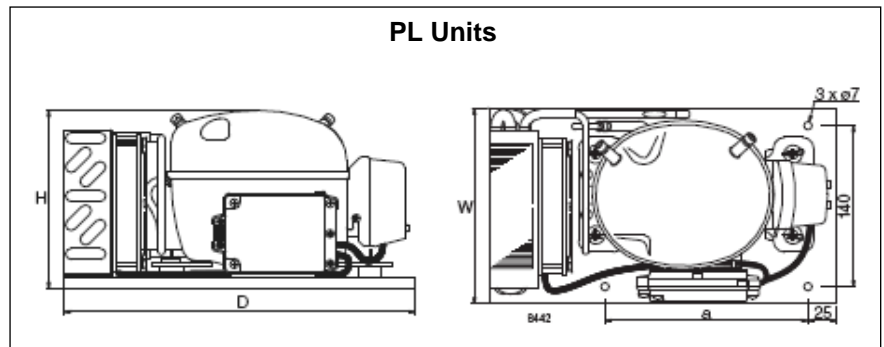
R404A (R507) Unit Information – High/Medium Temp

Unit Model Number	Connections		Weight	Receiver R404A @90%
	Suction	Liquid		
TL4DLXT2	3/8 flare	1/4 flare	13.2 kg	0.65 kg
FR6DLXT2	3/8 flare	1/4 flare	18.2 kg	0.89 kg
SC10DLXT2	3/8 flare	1/4 flare	25.2 kg	0.89 kg
SC12DLXT2	3/8 flare	1/4 flare	25.5 kg	0.89 kg
SC15DLXT2	3/8 flare	1/4 flare	37.5 kg	0.89 kg
SC18MLXT2	3/8 flare	1/4 flare	40.0 kg	0.89 kg
GS21MLXT2	1/2 flare	3/8 flare	36.0 kg	0.89 kg
GS34MLXT2	5/8ODS	3/8ODS	44.0 kg	1.94 kg

DANFOSS HERMETIC CONDENSING UNITS

Danfoss Unit Dimensions

Dimensions (mm) T2 models				
Model No	H	W	D	a
R134A Units				
PL35GXN0	152	170	300	175
PL50FXN0	155	170	300	175
TL3GXT2	197	289	410	310
TL4GXT2	197	289	410	310
TL5GXT2	197	289	410	310
FR6GXT2	226	304	432	310
FR7.5GXT2	226	304	432	310
FR8.5GXT2	226	304	432	310
FR10GXT2	226	304	432	310
FR11GXT2	256	321	444	325
SC12GXT2	256	321	444	325
SC15GXT2	296	331	451	325
SC18GXT2	296	331	473	325
SC21GXT2	296	331	513	365
R404A (R507) Low Temperature				
TL4CLXT2	226	304	432	310
FR6CLXT2	226	304	432	310
FR8.5CLXT2	256	321	444	325
SC10CLXT2	256	321	444	325
SC12CLXT2	296	331	451	325
SC15CLXT2	296	331	473	325
SC18CLXT2	296	331	513	365
SC21CLXT2	296	331	513	365
GS34CLXT2	340	430	480	310
R404A (R507) High / Medium Temp				
TL4DLXT2	226	304	432	310
FR6DLXT2	256	321	444	325
SC10DLXT2	296	331	473	325
SC12DLXT2	296	331	473	325
SC15DLXT2	350	442	610	370
SC18MLXT2	350	442	610	370
GS21MLXT2	340	430	480	310
GS34MLXT2	450	500	600	310



Suffix "T2" indicates with receiver & service valves.
 Suffix "N0" indicates without receiver & service valves.

DANFOSS HERMETIC CONDENSING UNITS

Danfoss Unit Spare Parts

R134A Units

Unit Model	Fan Motor Part Number	Motor wattage	List Price Excl GST
PL35GXN0	118U0214	Motor / fan kit	P.O.A.
PL50FXN0	118U0214	Motor / fan kit	P.O.A.
TL3GXT2	118U0200	5 watts	P.O.A.
TL4GXT2	118U0200	5 watts	P.O.A.
TL5GXT2	118U0200	5 watts	P.O.A.
FR6GXT2	118U0200	5 watts	P.O.A.
FR7.5GXT2	118U0200	5 watts	P.O.A.
FR8.5GXT2	118U0200	5 watts	P.O.A.
FR10GXT2	118U0200	5 watts	P.O.A.
FR11GXT2	118U0201	11 watts	P.O.A.
SC12GXT2	118U0201	11 watts	P.O.A.
SC15GXT2	118U0202	16 watts	P.O.A.
SC18GXT2	118U0202	16 watts	P.O.A.
SC21GXT2	118U0202	16 watts	P.O.A.

Fan Blade Part Number	Blade Diameter	List Price Excl GST
118U0214	Motor / fan kit	P.O.A.
118U0214	Motor / fan kit	P.O.A.
1173819	170 mm	P.O.A.
1173819	170 mm	P.O.A.
1173819	170 mm	P.O.A.
1173814	200 mm	P.O.A.
1173814	200 mm	P.O.A.
1173814	200 mm	P.O.A.
1173814	200 mm	P.O.A.
118U0600	230 mm	P.O.A.
118U0600	230 mm	P.O.A.
118U0601	254 mm	P.O.A.
118U0601	254 mm	P.O.A.
118U0601	254 mm	P.O.A.

R404A (R507) Low Temperature

Unit Model	Fan Motor Part Number	Motor wattage	List Price Excl GST
TL4CLXT2	118U0200	5 watts	P.O.A.
FR6CLXT2	118U0201	11 watts	P.O.A.
FR8.5CLXT2	118U0201	11 watts	P.O.A.
SC10CLXT2	118U0202	16 watts	P.O.A.
SC12CLXT2	118U0202	16 watts	P.O.A.
SC15CLXT2	118U0202	16 watts	P.O.A.
SC18CLXT2	118U0202	16 watts	P.O.A.
SC21CLXT2	118U0202	16 watts	P.O.A.
GS34CLXT2	118U0229	25 watts	P.O.A.

Fan Blade Part Number	Blade Diameter	List Price Excl GST
1173814	200 mm	P.O.A.
118U0600	230 mm	P.O.A.
118U0600	230 mm	P.O.A.
118U0601	254 mm	P.O.A.
118U0601	254 mm	P.O.A.
118U0601	254 mm	P.O.A.
118U0601	254 mm	P.O.A.
118U0601	254 mm	P.O.A.
118U0601	254 mm	P.O.A.
118U0601	254 mm	P.O.A.
118U0602	300 mm	P.O.A.

R404A (R507) Medium Temperature

Unit Model	Fan Motor Part Number	Motor wattage	List Price Excl GST
TL4DLXT2	118U0200	5 watts	P.O.A.
FR6DLXT2	118U0201	11 watts	P.O.A.
SC10DLXT2	118U0202	16 watts	P.O.A.
SC12DLXT2	118U0202	16 watts	P.O.A.
SC15DLXT2	118U0219	20 watts	P.O.A.
SC18MLXT2	118U0219	20 watts	P.O.A.
GS21MLXT2	118U0229	25 watts	P.O.A.
GS34MLXT2	118U0232	105 watts	P.O.A.

Fan Blade Part Number	Blade Diameter	List Price Excl GST
1173814	200 mm	P.O.A.
118U0600	230 mm	P.O.A.
118U0601	254 mm	P.O.A.
118U0601	254 mm	P.O.A.
118U0601	254 mm	P.O.A.
118U0601	254 mm	P.O.A.
118U0602	300 mm	P.O.A.
118U0602	300 mm	P.O.A.
Blade & motor included in 118U0232	350 mm	P.O.A.