



BUFFALO TRIDENT

REMOTE AIR COOLED CONDENSERS

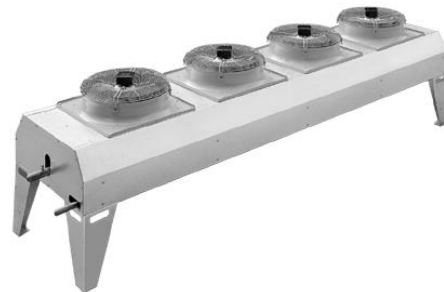
RC-C Series & DV/DH Series

RC Series Standard Features:

- Passivated fins.
- Sickle blade fans.
- All fans statically and dynamically balanced, aerodynamically constructed for economical and quiet operation.
- Dual speed motors on 3-phase – 1340/1000 R.P.M. (4 Pole) – 900/640 R.P.M. (6 Pole)
- Stucco embossed aluminium case.
- Stainless steel fixings.
- Staggered copper tube with rippled aluminium fins drawn to cover tube. Fins waved & rippled for maximum heat transfer.
- Internal ripple finned copper tube.
- Common condenser for both vertical and horizontal air flows

RC Series Optional Features:

- Single phase (single speed only).
- Copper fins.
- Electro-tinning.
- Multiple circuits.
- Stainless steel case.
- Special applications on request.
- Hazardous location motors (eg flameproof).



DV Series Standard Features:

- Dual Refrigerant Circuits.
- All fans statically and dynamically balanced, aerodynamically constructed for economical and quiet operation.
- Sickle Blade Fans.
- Dual speed motors standard on 3 Phase
- Motors wired to a junction box (High Speed).
- 12.7mm diameter copper tube expanded into ripple aluminium coil blocks (472 Fins/m).
- Internal ripple finned copper tube.
- 1.6mm Marine Grade (5251) aluminium casing.
- Positive air seal between all fans.

DV Series Optional Features:

- Epoxy coated or copper fins.
- Single or multiple circuits.
- Galvanised or stainless steel case.
- Separate sub-cooling circuits.
- Hazardous location motors (eg flameproof).



BUFFALO TRIDENT CONDENSERS

AIR COOLED CONDENSERS

RC-C Series 4 Pole

R22

High Speed (Connection in Delta Δ - RC19C to RC115C)											
TD/K	RC09C	RC12C	RC13C	RC18C	RC23C	RC25C	RC19C	RC24C	RC28C	RC30C	RC34C
1	606	777	881	1163	1481	1684	1221	1579	1809	2006	2287
5	3030	3885	4405	5817	7403	8421	6106	7896	9046	10028	11435
10	6059	7770	8810	11634	14805	16842	12212	15792	18092	20055	22869
15	9089	11655	13215	17451	22208	25263	18318	23688	27138	30083	34304
20	12118	15540	17620	23268	29610	33684	24424	31584	36184	40110	45738

High Speed (Connection in Delta Δ - RC19C to RC115C)										
TD/K	RC37C	RC47C	RC54C	RC62C	RC74C	RC82C	RC93C	RC100C	RC109C	RC115C
1	2503	3158	3627	4158	4912	5428	6237	6691	7237	7652
5	12514	15792	18134	20790	24560	27138	31185	33453	36183	38262
10	25027	31584	36267	41580	49119	54275	62370	66906	72366	76524
15	37541	47376	54401	62370	73679	81413	93555	100359	108549	114786
20	50054	63168	72534	83160	98238	108550	124740	133812	144732	153408

Low Speed (Connection in Star λ - RC19C to RC115C)															
TD/K	RC19C	RC24C	RC28C	RC30C	RC34C	RC37C	RC47C	RC54C	RC62C	RC74C	RC82C	RC93C	RC100C	RC109C	RC115C
1	975	1207	1324	1520	1624	1808	2414	5784	3086	3548	3971	4628	4759	5294	5441
5	4874	6035	6618	7602	8121	9039	12069	13920	15428	17738	19854	23142	23797	26472	27203
10	9747	12069	13235	15204	16241	18077	24138	27839	30876	35476	39708	46284	47593	52944	54406
15	14621	18104	19853	22806	24362	27116	36207	41759	46284	53214	59562	69426	71390	79416	81609
20	19494	24138	26470	30408	32482	36154	48276	55678	61712	70952	79416	92568	95186	105888	108812

R404A

High Speed (Connection in Delta Δ - RC19C to RC115C)											
TD/K	RC09C	RC12C	RC13C	RC18C	RC23C	RC25C	RC19C	RC24C	RC28C	RC30C	RC34C
1	636	816	925	1222	1555	1768	1282	1658	1900	2106	2401
5	3181	4079	4625	6108	7773	8842	6411	8291	9498	10529	12006
10	6362	8159	9251	12216	15545	17684	12823	16582	18997	21058	24012
15	9543	12238	13876	18324	23318	26526	19234	24872	28495	31587	36019
20	12724	16317	18501	24431	31091	35368	25645	33163	37993	42116	48025

High Speed (Connection in Delta Δ - RC19C to RC115C)										
TD/K	RC37C	RC47C	RC54C	RC62C	RC74C	RC82C	RC93C	RC100C	RC109C	RC115C
1	2628	3316	3808	4366	5157	5699	6549	7025	7598	8035
5	13139	16582	19040	21830	25787	28494	32744	35126	37992	40175
10	26278	33163	38080	43659	51575	56989	65489	70251	75984	80350
15	39418	49745	57121	65489	77362	85483	98233	105377	113976	120525
20	52557	66326	76161	87318	103150	113978	130977	140503	151969	160700

Low Speed (Connection in Star λ - RC19C to RC115C)															
TD/K	RC19C	RC24C	RC28C	RC30C	RC34C	RC37C	RC47C	RC54C	RC62C	RC74C	RC82C	RC93C	RC100C	RC109C	RC115C
1	1023	1267	1390	1596	1705	1898	2534	2923	3240	3725	4169	4860	4997	5559	5713
5	5117	6336	6948	7982	8527	9490	12672	14615	16199	18625	20847	24299	24986	27796	28563
10	10234	12672	13897	15964	17053	18981	25345	29231	32399	37250	41693	48598	49973	55591	57126
15	15352	19009	20845	23946	25580	28471	38017	43846	48598	55875	62540	72897	74959	83387	85689
20	20469	25345	27794	31928	34106	37962	50690	58462	64798	74500	83387	97196	99945	111182	114253

Note: Prices on last page of Buffalo Condenser Information.



AIREFRIG AUSTRALIA PTY LTD
RECOMMENDED LIST PRICES
A.B.N. 95 008 761 573

ALL PRICES ARE EXCLUSIVE OF GST
SUBJECT TO CHANGE WITHOUT NOTICE
EFFECTIVE MARCH 2014

BUFFALO TRIDENT CONDENSERS

AIR COOLED CONDENSERS

RC-C Series 4 Pole

R407C

High Speed (Connection in Delta Δ - RC19C to RC115C)											
TD/K	RC09C	RC12C	RC13C	RC18C	RC23C	RC25C	RC19C	RC24C	RC28C	RC30C	RC34C
1	588	754	855	1128	1436	1634	1185	1532	1755	1945	2218
5	2939	3768	4273	5642	7180	8168	5923	7659	8775	9727	11091
10	5877	7537	8546	11285	14361	16337	11846	15318	17549	19453	22183
15	8816	11305	12819	16927	21541	24505	17768	22977	26324	29180	33274
20	11754	15074	17091	22570	28722	32673	23691	30636	35098	38907	44366

High Speed (Connection in Delta Δ - RC19C to RC115C)										
TD/K	RC37C	RC47C	RC54C	RC62C	RC74C	RC82C	RC93C	RC100C	RC109C	RC115C
1	2428	3064	3518	4033	4765	5265	6050	6490	7020	7423
5	12138	15318	17589	20166	23823	26323	30249	32449	35098	37114
10	24276	30636	35179	40333	47645	52647	60499	64899	70195	74228
15	36414	45955	52768	60499	71468	78970	90748	97348	105293	111342
20	48552	61273	70358	80665	95291	105294	120998	129798	140390	148457

Low Speed (Connection in Star λ - RC19C to RC115C)															
TD/K	RC19C	RC24C	RC28C	RC30C	RC34C	RC37C	RC47C	RC54C	RC62C	RC74C	RC82C	RC93C	RC100C	RC109C	RC115C
1	945	1171	1284	1475	1575	1753	2341	2700	2993	3441	3852	4490	4617	5136	5277
5	4727	5853	6419	7374	7877	8767	11707	13502	14965	17206	19258	22448	23083	25678	26387
10	9455	11707	12838	14748	15754	17535	23414	27004	29930	34412	38517	44895	46165	51356	52774
15	14182	17560	19257	22122	23631	26302	35121	40506	44895	51618	57775	67343	69248	77034	79161
20	18909	23414	25676	29496	31508	35069	46828	54008	59861	68823	77034	89791	92330	102711	105548

R134a

High Speed (Connection in Delta Δ - RC19C to RC115C)											
TD/K	RC09C	RC12C	RC13C	RC18C	RC23C	RC25C	RC19C	RC24C	RC28C	RC30C	RC34C
1	582	746	846	1117	1421	1617	1172	1516	1737	1925	2195
5	2908	3730	4229	5584	7106	8084	5862	7580	8684	9626	10977
10	5917	7459	8458	11169	14213	16168	11724	15160	17368	19253	21954
15	8725	11189	12686	16753	21319	24252	17585	22740	26052	28879	32931
20	11633	14918	16915	22337	28426	32337	23447	30321	34737	38506	43908

High Speed (Connection in Delta Δ - RC19C to RC115C)										
TD/K	RC37C	RC47C	RC54C	RC62C	RC74C	RC82C	RC93C	RC100C	RC109C	RC115C
1	2403	3032	3482	3992	4715	5210	5988	6423	6947	7346
5	12013	15160	17408	19958	23577	26052	29938	32115	34736	36732
10	24026	30321	34816	39917	47154	52104	59875	64230	69471	73463
15	36039	45481	52224	59875	70731	78156	89813	96345	104207	110195
20	48052	60641	69633	79834	94308	104208	119750	128460	138943	146926

Low Speed (Connection in Star λ - RC19C to RC115C)															
TD/K	RC19C	RC24C	RC28C	RC30C	RC34C	RC37C	RC47C	RC54C	RC62C	RC74C	RC82C	RC93C	RC100C	RC109C	RC115C
1	936	1159	1271	1460	1559	1735	2317	2673	2962	3406	3812	4443	4569	5083	5223
5	4679	5793	6353	7298	7796	8677	11586	13363	14811	17028	19060	22216	22845	25413	26115
10	9357	11586	12706	14596	15591	17354	23172	26725	29622	34057	38120	44433	45689	50826	52230
15	14036	17379	19058	21894	23387	26031	34759	40088	44433	51085	57180	66649	68534	76239	78345
20	18714	23172	25411	29192	31183	34708	46345	53451	59244	68114	76239	88865	91379	101652	104460

Note: Prices on last page of Buffalo Condenser Information.



AIREFRIG AUSTRALIA PTY LTD
RECOMMENDED LIST PRICES
A.B.N. 95 008 761 573

ALL PRICES ARE EXCLUSIVE OF GST
SUBJECT TO CHANGE WITHOUT NOTICE
EFFECTIVE MARCH 2014

BUFFALO TRIDENT CONDENSERS

AIR COOLED CONDENSERS

RC-C Series 4 Pole

Technical Data

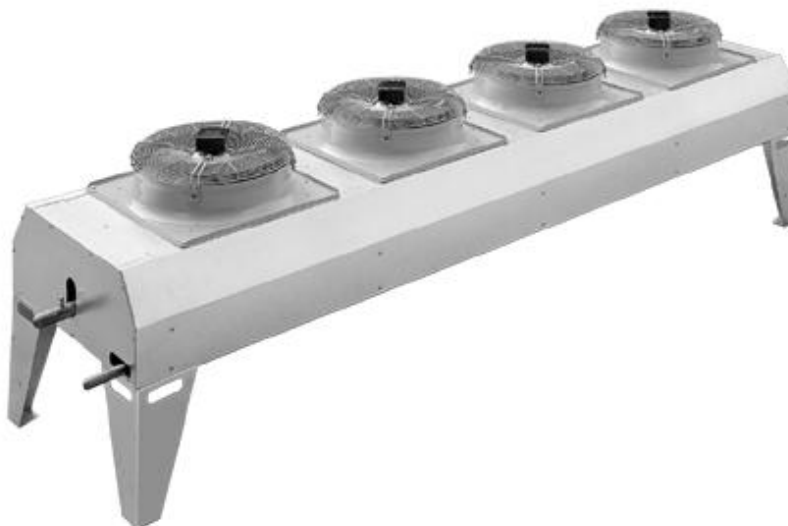
Model	RC19	RC24	RC28	RC30	RC34	RC37	RC47	RC54	RC62	RC74	RC82	RC93	RC100	RC109	RC115
Air Flow High L/sec	2163	2007	1870	2306	2215	2130	4014	4374	4150	4260	5610	6225	5919	7480	6996
Air Flow Low L/sec	1418	1305	1204	1519	1454	1394	2610	2870	2710	2788	3612	4065	3840	4816	4460
No of Motors 500mm	1	1	1	1	1	1	2	2	2	2	3	3	3	4	4
Motor Power High Speed															
Total Watts 3 Phase	780	780	780	780	780	780	1560	1560	1560	1560	2340	2340	2340	3120	3120
Total Amps *3 Phase	1.35	1.35	1.35	1.35	1.35	1.35	2.70	2.70	2.70	2.70	4.05	4.05	4.05	5.40	5.40
Motor Power Low Speed															
Total Watts 3 Phase	550	550	550	550	550	550	1100	1100	1100	1100	1650	1650	1650	2200	2200
Total Amps *3 Phase	0.94	0.94	0.94	0.94	0.94	0.94	1.88	1.88	1.88	1.88	2.82	2.82	2.82	3.76	3.76
Motor Power															
Total Watts 1 Phase	770	770	770	770	770	770	1540	1540	1540	1540	2310	2310	2310	3080	3080
Total Amps *1 Phase	3.4	3.4	3.4	3.4	3.4	3.4	6.8	6.8	6.8	6.8	10.2	10.2	10.2	13.6	13.6

* Based on Manufacturers Nominal Data

Technical Data

Model	RC09	RC12	RC13	RC18	RC23	RC25
Air Flow High L/sec	788	764	741	1550	1494	1441
No of Motors 350mm	1	1	1	2	2	2
Motor Power						
Total Watts 1 Phase	130	130	130	260	260	260
Total Amps *1 Phase	0.58	0.58	0.58	1.16	1.16	1.16

* Based on Manufacturers Nominal Data

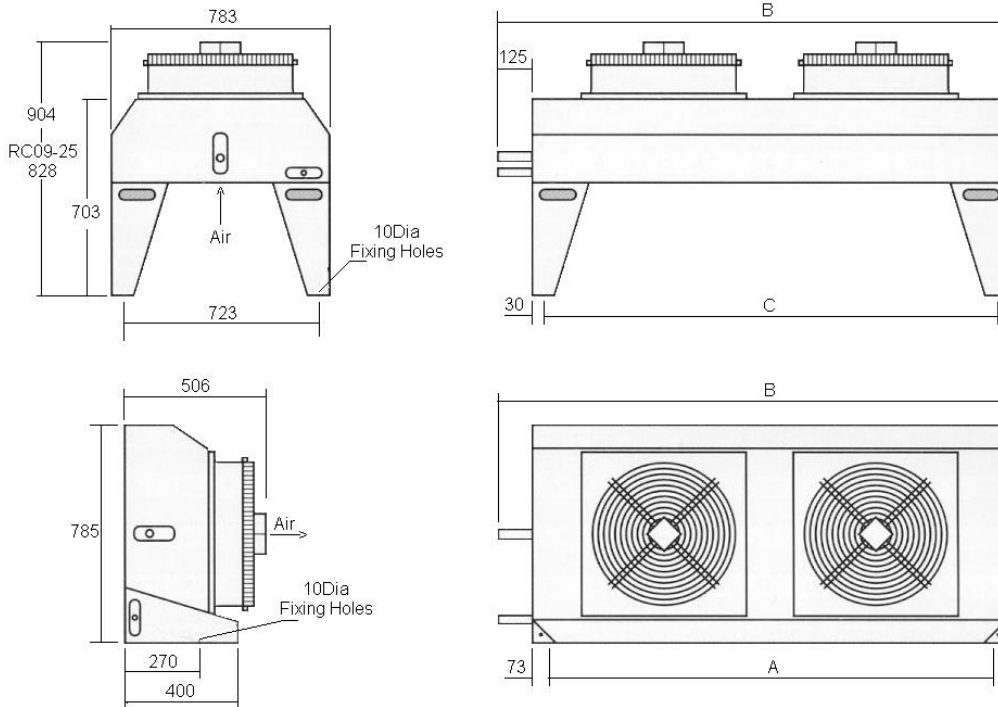


Note: Prices on last page of Buffalo Condenser Information.

BUFFALO TRIDENT CONDENSERS

AIR COOLED CONDENSERS

RC-C Series 4 Pole



Dimensions

Model	RC09	RC12	RC13	RC18	RC23	RC25
No. of Rows	2	3	4	2	3	4
Tubes High/Wide	30	30	30	30	30	30
Inlet Connections mm	19.05	22.2	22.2	25.4	25.4	25.4
Outlet Connections mm	15.8	15.8	15.8	22.2	22.2	22.2
*Charge R22 Kg	0.41	0.60	0.78	0.74	1.07	1.39
**Pump Down Cap'ty Kg	2.15	3.22	4.29	3.86	5.79	7.72
Weight Unpacked Kg	32	37	42	46	55	64
Dimensions mm	A	664	664	664	1152	1152
	B	930	930	930	1418	1418
	C	742	742	742	1230	1230

Dimensions

Model	RC19	RC24	RC28	RC30	RC34	RC37	RC47	RC54	RC62	RC74	RC82	RC93	RC100	RC109	RC115
No. of Rows	2	3	4	3	4	5	3	3	4	5	4	4	5	4	5
Tubes High/Wide	24	24	24	24	24	24	24	24	24	24	24	24	24	24	24
Inlet Connections mm	25.4	28.5	28.5	28.5	28.5	28.5	34.9	34.9	41.3	41.3	41.3	41.3	41.3	41.3	41.3
Outlet Connections mm	22.2	25.4	25.4	25.4	25.4	25.4	25.4	25.4	28.5	28.5	28.5	28.5	28.5	28.5	28.5
*Charge R22 Kg	0.73	10.7	1.38	1.58	2.06	2.54	2.13	2.66	3.45	5.08	4.14	5.18	6.35	5.52	6.77
**Pump Down Cap'ty Kg	3.83	5.75	7.67	8.54	11.50	14.38	11.50	14.38	19.17	28.75	23.01	28.75	35.94	30.67	38.34
Weight Unpacked Kg	50	55	60	64	72	80	93	108	121	149	157	175	195	207	228
Dimensions mm	A	816	816	816	1197	1197	1197	1578	1959	1959	2340	2340	2911	2911	3102
	B	1082	1082	1082	1463	1463	1463	1844	2225	2225	2606	2606	3177	3177	3368
	C	894	894	894	1275	1275	1275	1656	2037	2037	2418	2418	2989	2989	3180

* Based on -4°C SST, +25°C Suction Gas Temperature, 40°C Condensing and 2°C Subcooling

** Pump down capacity based on 80% of total volume - R22

Note: Prices on last page of Buffalo Condenser Information.

BUFFALO TRIDENT CONDENSERS

AIR COOLED CONDENSERS DV - DH Series B

Condenser Capacity - Total Heat Rejection - Kilowatts

R22	High Speed Connection in Delta Δ					
	Model DV/DH					
TD/K	110B	121B	137B	165B	192B	220B
1	9.107	10.061	11.383	13.660	15.936	18.213
5	45.533	50.307	56.916	68.299	79.682	91.065
10	91.065	100.614	113.833	136.599	159.365	182.131
15	136.598	150.920	170.749	204.898	239.047	273.196
20	182.131	201.227	227.666	273.197	318.364	364.262

R22	Low Speed Connection in Star λ					
	Model DV/DH					
TD/K	110B	121B	137B	165B	192B	220B
1	6.485	7.400	8.106	9.728	11.349	12.970
5	32.426	37.002	40.532	48.638	56.745	64.849
10	64.851	74.005	81.064	97.276	113.489	129.698
15	97.277	111.007	121.595	145.914	170.234	194.546
20	129.703	148.010	162.127	194.553	226.978	259.395

R404A	High Speed Connection in Delta Δ					
	Model DV/DH					
TD/K	110B	121B	137B	165B	192B	220B
1	9.562	10.564	11.952	14.343	16.733	19.124
5	47.809	52.822	59.762	71.714	83.666	95.619
10	95.619	105.644	119.525	143.428	167.333	191.237
15	143.428	158.466	179.287	215.143	250.999	286.856
20	191.237	211.289	239.049	286.857	334.666	382.475

R404A	Low Speed Connection in Star λ					
	Model DV/DH					
TD/K	110B	121B	137B	165B	192B	220B
1	6.809	7.771	8.512	10.214	11.916	13.618
5	34.047	38.853	42.558	51.070	59.582	68.091
10	68.094	77.705	85.117	102.140	119.163	136.182
15	102.141	116.558	127.675	153.210	178.745	204.274
20	136.188	155.410	170.234	204.280	238.327	272.365

R407C	High Speed Connection in Delta Δ					
	Model DV/DH					
TD/K	110B	121B	137B	165B	192B	220B
1	8.833	9.760	11.042	13.250	15.458	17.667
5	44.167	48.798	55.209	66.250	77.292	88.334
10	88.334	97.595	110.418	132.501	154.584	176.667
15	132.500	146.393	165.627	198.751	231.876	265.001
20	176.667	195.190	220.836	265.001	309.168	353.334

R407C	Low Speed Connection in Star λ					
	Model DV/DH					
TD/K	110B	121B	137B	165B	192B	220B
1	6.292	7.178	7.863	9.436	11.008	12.581
5	31.453	35.892	39.316	47.179	55.042	62.903
10	62.906	71.785	78.632	94.358	110.084	125.807
15	94.359	107.677	117.948	141.537	165.127	188.710
20	125.812	143.570	157.263	188.716	220.169	251.613

R134a	High Speed Connection in Delta Δ					
	Model DV/DH					
TD/K	110B	121B	137B	165B	192B	220B
1	8.742	9.659	10.928	13.113	15.299	17.485
5	43.711	48.295	54.640	65.567	76.495	87.423
10	87.423	96.589	109.280	131.135	152.990	174.846
15	131.134	144.884	163.919	196.702	229.485	262.269
20	174.846	193.178	218.559	262.269	305.980	349.691

R134a	Low Speed Connection in Star λ					
	Model DV/DH					
TD/K	110B	121B	137B	165B	192B	220B
1	6.226	7.104	7.782	9.339	10.895	12.451
5	31.129	35.522	38.911	46.693	54.475	62.255
10	62.257	71.045	77.821	93.385	108.949	124.510
15	93.386	106.567	116.732	140.078	163.424	186.765
20	124.515	142.090	155.642	186.770	217.899	249.019

Capacity Correction Factors

Refrigerant	R22	R507	R407B
Capacity Multiplier	1.0	1.045	0.975

Note: Prices on last page of Buffalo Condenser Information.



AIREFRIG AUSTRALIA PTY LTD
RECOMMENDED LIST PRICES
A.B.N. 95 008 761 573

ALL PRICES ARE EXCLUSIVE OF GST
SUBJECT TO CHANGE WITHOUT NOTICE
EFFECTIVE MARCH 2014

BUFFALO TRIDENT CONDENSERS

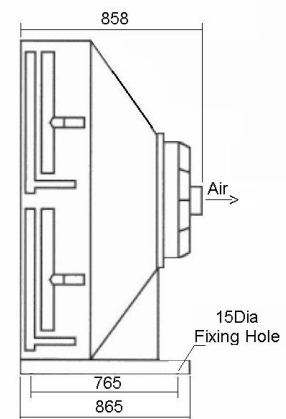
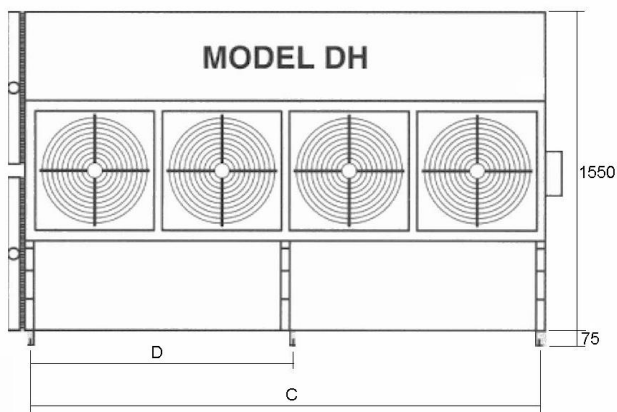
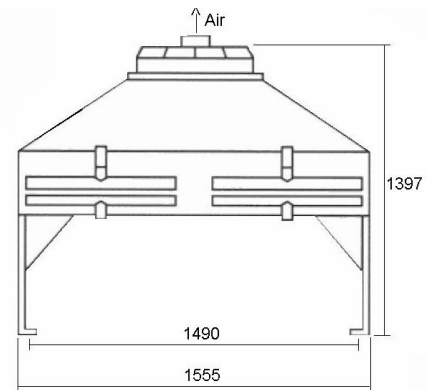
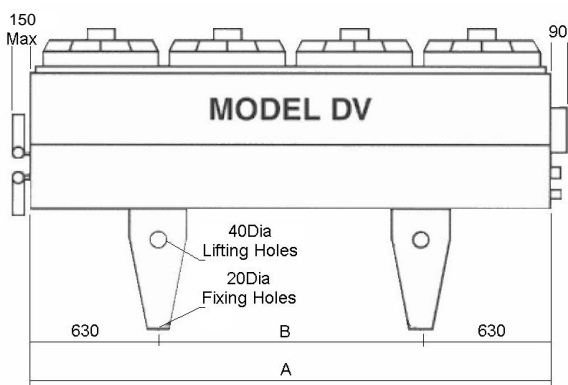
AIR COOLED CONDENSERS DV & DH Series B

Technical Data

Model		110B	121B	137B	165B	192B	220B
Air Flow High	L/sec	9031	11710	11289	13547	15804	18062
Air Flow Low	L/sec	5939	7720	7424	8909	10393	11878
No of Motors / Fans	500mm	4	5	5	6	7	8
Motor Power	High Speed						
Total Watts	3 Phase	3120	3900	3900	4680	5460	6240
Total Amps	*3 Phase	5.40	6.75	6.75	8.10	9.45	10.80
Motor Power	Low Speed						
Total Watts	3 Phase	2200	2750	2750	3300	3850	4400
Total Amps	*3 Phase	3.76	4.70	4.70	5.64	6.58	7.52

Physical Data

No of Rows		4	3	4	4	4	4
Tubes High/Wide		48	48	48	48	48	48
Inlet Connections	mm	41	41	54	54	54	54
Outlet Connections	mm	32	32	32	32	35	41
Operating Charge R22	Kg	9.84	9.41	12.23	14.61	17.00	19.36
Pump Down Capacity	Kg	52.88	49.21	65.67	78.50	91.34	104.02
Unpacked Weight	Kg	318	364	397	477	557	636
Dimensions	A	2440	3048	3048	3658	4267	4877
	B	1180	1788	1788	2398	3007	3617
	C	2408	3016	3016	3626	4235	4845
	D	-	-	-	1829	2439	2439



Note: Prices on last page of Buffalo Condenser Information.

BUFFALO TRIDENT CONDENSERS

Condenser Prices

RC Series

Airefrig Part Number	List Price Excl GST
RC09C	\$2,258.36
RC12C	\$2,444.06
RC13C	\$2,629.74
RC18C	\$3,096.70
RC19C	\$3,213.84
RC23C	\$3,839.44
RC24C	\$4,074.54
RC25C	\$4,273.55
RC28C	\$4,645.94
RC30C	\$4,805.34
RC34C	\$4,965.84
RC37C	\$5,561.23
RC47C	\$6,211.71
RC54C	\$7,193.87
RC62C	\$8,962.75
RC74C	\$9,836.91
RC82C	\$11,200.08
RC93C	\$13,364.44
RC100C	\$14,156.32
RC109C	\$15,092.20
RC115C	\$15,997.20

DV & DH Series

Airefrig Part Number	List Price Excl GST
DV110B	P.O.A.
DV121B	P.O.A.
DV137B	P.O.A.
DV165B	P.O.A.
DV192B	P.O.A.
DV220B	P.O.A.
DH110B	P.O.A.
DH121B	P.O.A.
DH137B	P.O.A.
DH165B	P.O.A.
DH192B	P.O.A.
DH220B	P.O.A.

