

BALL VALVES - ESSEN

Essen Ball Valves – With 1/4" Male Flare (1/4"SAE) Access Port Connection

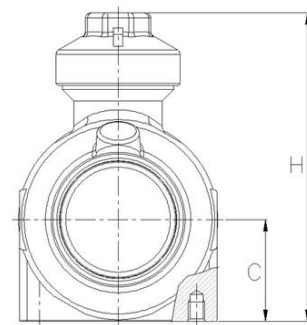
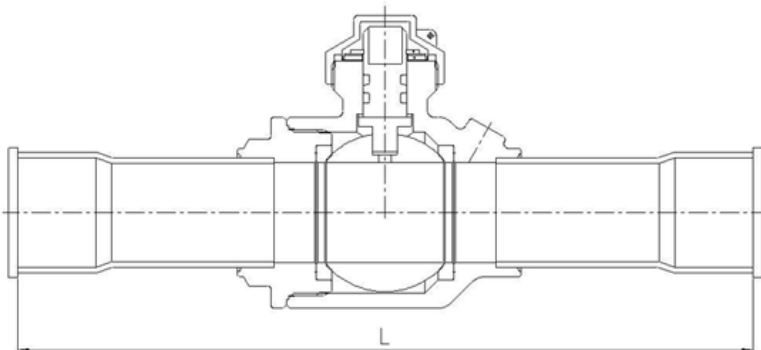
Airefrig Part Number	Connection Size Solder	Port Size (inch)	Dimensions mm			Maximum Working Pressure	List Price Excl GST
			L	H	C		
RBV06C	1/4	1/2	165	55	16	700 PSI R410A compatible	\$47.85
RBV10C	3/8	1/2	165	55	16		\$51.83
RBV12C	1/2	1/2	165	55	16		\$54.10
RBV16C	5/8	1/2	165	55	16		\$54.10
RBV18C	3/4	3/4	184	67	21		\$73.28
RBV22C	7/8	3/4	184	67	21		\$81.19
RBV28C	1 1/8	1	216	76	25.5		\$109.89
RBV35C	1 3/8	1 1/4	235	94	31		\$174.07
RBV42C	1 5/8	1 1/2	254	109	39		\$210.99
RBV54C	2 1/8	2	289	134	47.5		\$328.23

Essen Ball Valves – With 1/2" 20UNF Male (R410A) Access Port Connection

Airefrig Part Number	Connection Size Solder	Port Size (inch)	Dimensions mm			Maximum Working Pressure	List Price Excl GST
			L	H	C		
RBV06CA	1/4	1/2	165	55	16	700 PSI R410A compatible	\$47.85
RBV10CA	3/8	1/2	165	55	16		\$51.83
RBV12CA	1/2	1/2	165	55	16		\$54.10
RBV16CA	5/8	1/2	165	55	16		\$54.10
RBV18CA	3/4	3/4	184	67	21		\$73.28
RBV22CA	7/8	3/4	184	67	21		\$81.19
RBV28CA	1 1/8	1	216	76	25.5		\$109.89
RBV35CA	1 3/8	1 1/4	235	94	31		\$174.07

Essen Ball Valves – Without Access Port Connection

Airefrig Part Number	Connection Size Solder	Port Size (inch)	Dimensions mm			Maximum Working Pressure	List Price Excl GST
			L	H	C		
RBV06	1/4	1/2	165	55	16	700 PSI R410A compatible	\$42.29
RBV10	3/8	1/2	165	55	16		\$46.04
RBV12	1/2	1/2	165	55	16		\$48.24
RBV16	5/8	1/2	165	55	16		\$48.24
RBV18	3/4	3/4	184	67	21		\$67.42
RBV22	7/8	3/4	184	67	21		\$75.33
RBV28	1 1/8	1	216	76	25.5		\$100.53
RBV35	1 3/8	1 1/4	235	94	31		\$164.69
RBV42	1 5/8	1 1/2	254	109	39		\$201.04
RBV54	2 1/8	2	289	134	47.5		\$316.54



CHECK VALVES - ESSEN

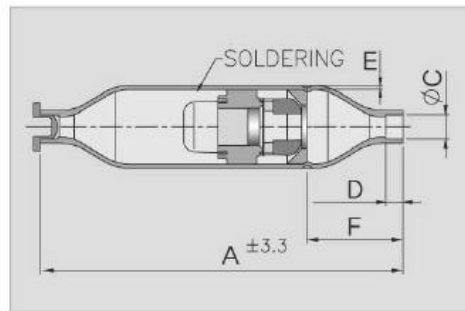
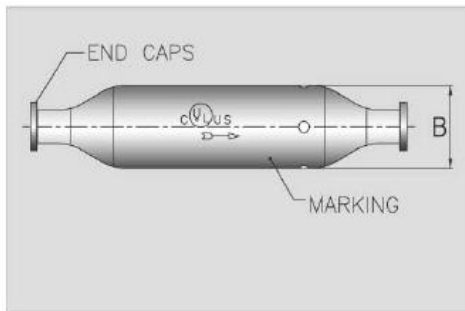
Essen Magnetic Check Valves

Airefrig Part Number	Connection Inches	Max. Working Pressure		Opening Pressure		Strainer Mesh Size	Leak Rate (CIM)	List Price Ex GST
		(PSIG)	(Kpa)	(PSIG)	(Kpa)			
EIC4	1/4" ODF	800	5515	0.08	0.55	Built in 30mesh stainless steel strainer	0.015	\$28.08
EIC6	3/8 ODF	800	5515	0.08	0.55		0.015	\$31.23
EIC8	1/2 ODF	640	4412	0.22	1.51		0.034	\$34.73
EIC10	5/8 ODF	640	4412	0.22	1.51		0.034	\$34.73
EIC12	3/4 ODF	560	3861	0.24	1.65		0.074	\$53.88
EIC14	7/8 ODF	560	3861	0.24	1.65		0.074	\$58.73
EIC18	1 1/8 ODF	400	2757	0.43	2.96		0.122	\$79.67
EIC22	1 3/8 ODF	440	3033	0.64	4.41		0.172	\$141.97
EIC26	1 5/8 ODF	420	2895	0.71	4.89		0.272	\$304.63
EIC42	2 5/8 ODF	380	2620	1.44	9.92		0.512	\$669.73



Essen Magnetic Check Valves Dimensions

Airefrig Part Number	Connection Inches (C)	Dimensions (mm)				
		A	B	D (min.)	E	F
EIC4	1/4" ODF	101.6	22.22	4.8	1.14	32.8
EIC6	3/8 ODF	101.6	22.22	10.2	1.14	32.8
EIC8	1/2 ODF	127.0	28.7	7.9	1.37	43.6
EIC10	5/8 ODF	127.0	28.7	12.7	1.37	43.6
EIC12	3/4 ODF	177.8	41.2	16.0	1.24	59.4
EIC14	7/8 ODF	177.8	41.2	19.0	1.24	59.4
EIC18	1 1/8 ODF	212.9	53.9	23.9	1.78	75.3
EIC22	1 3/8 ODF	238.3	66.6	26.4	2.03	79.5
EIC26	1 5/8 ODF	266.7	79.3	27.1	2.29	89.6
EIC42	2 5/8 ODF	330.2	105.7	38.1	3.29	109.8



CHECK VALVES - SAGINOMIYA

Saginomiya Check Valves

Airefrig Part Number	Port Size mm	Connection Inches	Maximum Pressure	Liquid Temperature	List Price Ex GST
BCV302DY	3.0	1/4"	4150 KPa 600 PSI	-30 to 120C	\$14.04
BCV603DY	5.5	3/8"			\$18.97
BCV804DY	8.0	1/2"			\$26.24
BCV1005DY	10.0	5/8"			\$51.91
BCV1306DY	12.5	3/4"			\$83.51

