

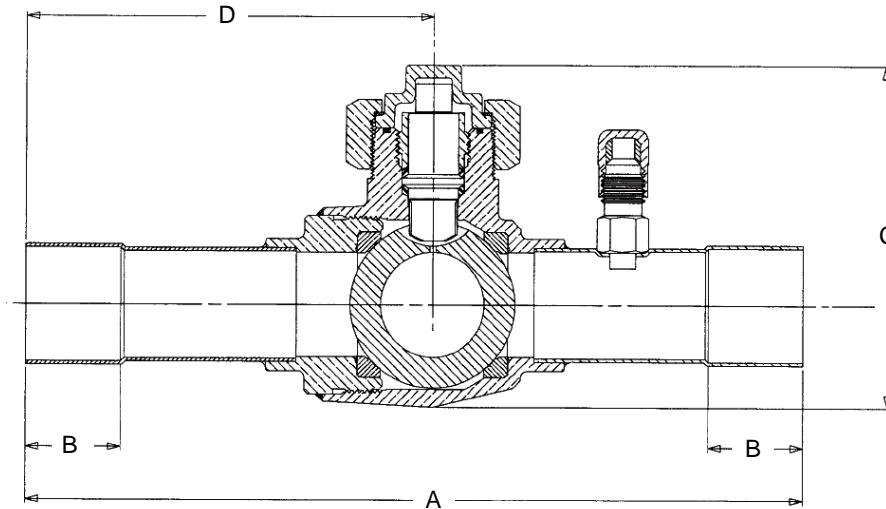
# BALL VALVES - SUPERIOR

## Superior Ball Valves – With 1/4” Male Flare (1/4”SAE) Access Port Connection

Airefrig Part Number	Connection Size Solder	Dimensions mm					Maximum Working Pressure	List Price Excl GST
		A	B	C	D	Max Width		
586WAS10ST	5/8	165.1	12.7	59.9	87.4	35.1	700 PSI R410A Compatible	\$106.06
595WAS25ST	2 5/8	328.2	38.1	158.8	165.6	118.1		\$1,386.05

## Superior Ball Valves - Without Access Port Connection

Airefrig Part Number	Connection Size Solder	Dimensions mm					Maximum Working Pressure	List Price Excl GST
		A	B	C	D	Max Width		
586WA10ST	5/8	165.1	12.7	59.9	87.4	35.1	700 PSI  R410A compatible	\$91.19
587WA12ST	3/4	166.6	16.0	68.3	87.9	47.8		\$119.46
587WA14ST	7/8	166.6	19.1	68.3	87.9	47.8		\$119.46
592WA13ST	1 3/8	225.6	25.4	105.4	114.0	81.0		\$292.48
593WA15ST	1 5/8	231.9	27.7	105.4	117.3	81.0		\$327.97
595WA25ST	2 5/8	328.2	38.1	158.8	165.6	118.1		\$1,372.00



# LINE VALVES

## Packed Capped Line Valve – Male Flare

Airefrig Part Number	Size	List Price Ex GST
H190	1/4 MF	\$78.20
H191	3/8 MF	\$107.23
H192	1/2 MF	\$98.71
H193	5/8 MF	\$118.59



## Packed Capped Line Valve – Solder

Airefrig Part Number	Size	List Price Ex GST
H195	1/4 ODS	\$80.85
H196	3/8 ODS	\$99.00
H197	1/2 ODS	\$90.28
H198	5/8 ODS	\$128.03
H199	3/4 ODS	\$142.25

## Diaphragm Line Valve – Male Flare

Airefrig Part Number	Size	List Price Ex GST
9G0101	1/4 MF (BML6)	\$53.13
9G0127	3/8 MF (BML10)	\$80.47
9G0141	1/2 MF (BML12)	\$85.33
ILV10	5/8 MF	\$100.95
ILV12	3/4 MF	\$205.10



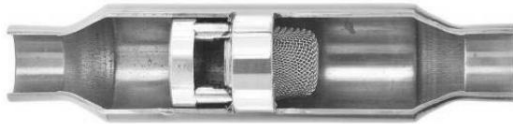
## Diaphragm Line Valve – Solder

Airefrig Part Number	Size	List Price Ex GST
ILV04S	1/4 ODS	\$45.93
ILV06S	3/8 ODS	\$69.58
ILV08S	1/2 ODS	\$79.16
ILV10S	5/8 ODS	\$95.26
ILV12S	3/4 ODS	\$229.91

# CHECK VALVES - ESSEN

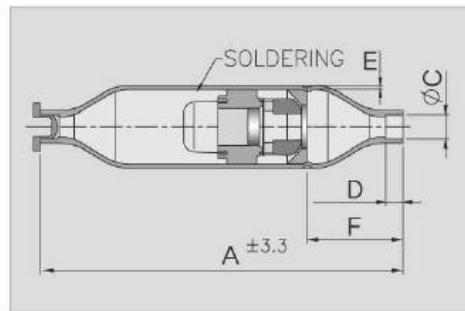
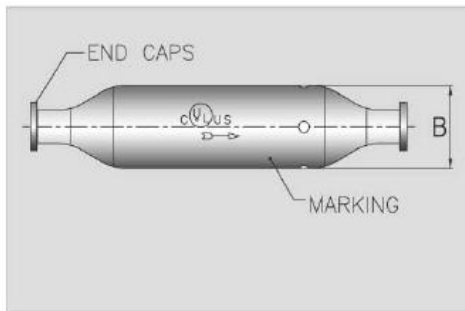
## Essen Magnetic Check Valves

Airefrig Part Number	Connection Inches	Max. Working Pressure		Opening Pressure		Strainer Mesh Size	Leak Rate (CIM)	List Price Ex GST
		(PSIG)	(Kpa)	(PSIG)	(Kpa)			
EIC4	1/4" ODF	800	5515	0.08	0.55	Built in 30mesh stainless steel strainer	0.015	\$28.08
EIC6	3/8 ODF	800	5515	0.08	0.55		0.015	\$31.23
EIC8	1/2 ODF	640	4412	0.22	1.51		0.034	\$34.73
EIC10	5/8 ODF	640	4412	0.22	1.51		0.034	\$34.73
EIC12	3/4 ODF	560	3861	0.24	1.65		0.074	\$53.88
EIC14	7/8 ODF	560	3861	0.24	1.65		0.074	\$58.73
EIC18	1 1/8 ODF	400	2757	0.43	2.96		0.122	\$79.67
EIC22	1 3/8 ODF	440	3033	0.64	4.41		0.172	\$141.97
EIC26	1 5/8 ODF	420	2895	0.71	4.89		0.272	\$304.63
EIC42	2 5/8 ODF	380	2620	1.44	9.92		0.512	\$669.73



## Essen Magnetic Check Valves Dimensions

Airefrig Part Number	Connection Inches (C)	Dimensions (mm)				
		A	B	D (min.)	E	F
EIC4	1/4" ODF	101.6	22.22	4.8	1.14	32.8
EIC6	3/8 ODF	101.6	22.22	10.2	1.14	32.8
EIC8	1/2 ODF	127.0	28.7	7.9	1.37	43.6
EIC10	5/8 ODF	127.0	28.7	12.7	1.37	43.6
EIC12	3/4 ODF	177.8	41.2	16.0	1.24	59.4
EIC14	7/8 ODF	177.8	41.2	19.0	1.24	59.4
EIC18	1 1/8 ODF	212.9	53.9	23.9	1.78	75.3
EIC22	1 3/8 ODF	238.3	66.6	26.4	2.03	79.5
EIC26	1 5/8 ODF	266.7	79.3	27.1	2.29	89.6
EIC42	2 5/8 ODF	330.2	105.7	38.1	3.29	109.8



# CHECK VALVES - SAGINOMIYA

## Saginomiya Check Valves

Airefrig Part Number	Port Size mm	Connection Inches	Maximum Pressure	Liquid Temperature	List Price Ex GST
BCV302DY	3.0	1/4"	4150 KPa 600 PSI	-30 to 120C	\$14.04
BCV603DY	5.5	3/8"			\$18.97
BCV804DY	8.0	1/2"			\$26.24
BCV1005DY	10.0	5/8"			\$51.91
BCV1306DY	12.5	3/4"			\$83.51



# CHECK VALVES - SUPERIOR

## Superior Check Valves

Airefrig Part Number	Size Solder	Body Type	Weight	List Price Excl GST
802B4ST	1/4	Brass Body & Copper Tails		\$136.49
802B6ST	3/8			\$117.99
802B8ST	1/2			\$124.66
803B10ST	5/8			\$157.95
805C14S	7/8	Brass Body & no Copper Tails	1.13 kg	\$496.21
806C11S	1 1/8		1.13 kg	\$496.21
807C13S	1 3/8		2.27 kg	\$620.28
808C15S	1 5/8		2.27 kg	\$620.28
809C21S	2 1/8		5.78 kg	\$1,033.79
P802X111D	Replacement spring to suit 802 to 804 series check valves			\$5.36
P805A11	Replacement spring to suit 805 to 806 series check valves			\$10.68
P807A11	Replacement spring to suit 807 to 808 series check valves			\$10.68
P809A11	Replacement spring to suit 809 series check valves			\$21.36
P290C14	Gasket to suit 805 to 806 series check valves			\$6.92
P292C14	Gasket to suit 807 to 808 series check valves			\$6.92
P294C14	Gasket to suit 809 series check valves			\$6.92



803B10ST



Note: All Superior valves are R410a compatible. (M.W.P: 700 PSI)

# RELIEF VALVES & BURSTING DISCS

## Superior Relief Valves & Bursting Discs

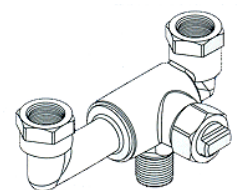
Airefrig Part Number	Inlet M-NPT	Outlet Male Flare	Pressure Setting		List Price Excl GST
			PSIG	KPa	
3012A150	1/4	3/8	150	1034	\$127.23
3016A350	3/8	1/2	350	2400	\$128.65
3016A400			400	2760	\$128.65
3016A425			425	2930	\$128.65
3016A450			450	3100	\$128.65
3020A350	1/2	5/8	350	2400	\$156.23
3020A400			400	2760	\$156.23
3020A425			425	2930	\$156.23
3020A435			435	3000	\$157.69
3020A450			450	3100	\$156.23
5526400	Rupture Disc 1/2 MPT x 1/2 FNPT		400	2760	\$299.00
5526450			450	3105	\$322.00
G15	Pressure Gauge 1/8" Male NPT				\$50.87
3155WD	Change Over Manifold - Inlet 1/2" MPT- Outlet(s) 1/2" FPT				\$321.63
2100808	Brass Union 1/2" NPT Female x 1/2" BSP Male				\$33.75
2100606	Brass Union 3/8" NPT Female x 3/8" BSP Male				\$30.49



3020A Series Pressure Relief Valves



Rupture Disc



Change Over Manifold

Note: All Superior valves are R410a compatible. (M.W.P: 700 PSI)