

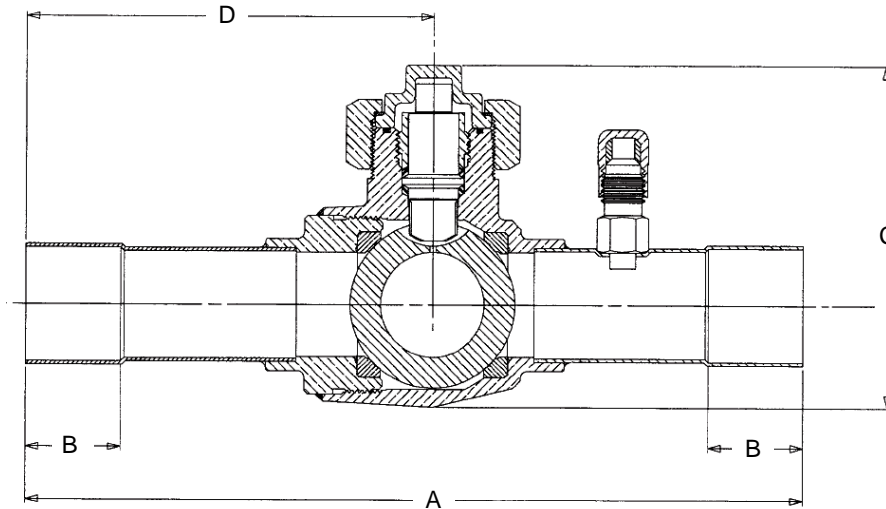
# BALL VALVES - SUPERIOR

## Superior Ball Valves – With 1/4” Male Flare (1/4”SAE) Access Port Connection

Airefrig Part Number	Connection Size Solder	Dimensions mm					Maximum Working Pressure	List Price Excl GST
		A	B	C	D	Max Width		
586WAS10ST	5/8	165.1	12.7	59.9	87.4	35.1	700 PSI R410A Compatible	\$106.06
595WAS25ST	2 5/8	328.2	38.1	158.8	165.6	118.1		\$1,386.05

## Superior Ball Valves - Without Access Port Connection

Airefrig Part Number	Connection Size Solder	Dimensions mm					Maximum Working Pressure	List Price Excl GST
		A	B	C	D	Max Width		
586WA10ST	5/8	165.1	12.7	59.9	87.4	35.1	700 PSI  R410A compatible	\$91.19
587WA12ST	3/4	166.6	16.0	68.3	87.9	47.8		\$119.46
587WA14ST	7/8	166.6	19.1	68.3	87.9	47.8		\$119.46
592WA13ST	1 3/8	225.6	25.4	105.4	114.0	81.0		\$292.48
593WA15ST	1 5/8	231.9	27.7	105.4	117.3	81.0		\$327.97
595WA25ST	2 5/8	328.2	38.1	158.8	165.6	118.1		\$1,372.00



# LINE VALVES

## Packed Capped Line Valve – Male Flare

Airefrig Part Number	Size	List Price Ex GST
H190	1/4 MF	\$78.20
H191	3/8 MF	\$107.23
H192	1/2 MF	\$98.71
H193	5/8 MF	\$118.59



## Packed Capped Line Valve – Solder

Airefrig Part Number	Size	List Price Ex GST
H195	1/4 ODS	\$80.85
H196	3/8 ODS	\$99.00
H197	1/2 ODS	\$90.28
H198	5/8 ODS	\$128.03
H199	3/4 ODS	\$142.25

## Diaphragm Line Valve – Male Flare

Airefrig Part Number	Size	List Price Ex GST
9G0101	1/4 MF (BML6)	\$53.13
9G0127	3/8 MF (BML10)	\$80.47
9G0141	1/2 MF (BML12)	\$85.33
ILV10	5/8 MF	\$100.95
ILV12	3/4 MF	\$205.10



## Diaphragm Line Valve – Solder

Airefrig Part Number	Size	List Price Ex GST
ILV04S	1/4 ODS	\$45.93
ILV06S	3/8 ODS	\$69.58
ILV08S	1/2 ODS	\$79.16
ILV10S	5/8 ODS	\$95.26
ILV12S	3/4 ODS	\$229.91