

SOLENOID VALVES - SAGINOMIYA

Saginomiya RPV series solenoid valves

- Suitable for R410A (max press: 4.3MPa / M.O.P.D: 3.6MPa)
- DIN coil plug (IP65 when DIN connector used)
- Low power consumption (6W @ 50Hz)
- Available in Solder & Flare connections



Saginomiya Flare Solenoid Valves - RPV Series

| Airefrig Part Number | Port Size (mm) | Cv Value | *Nominal Capacity (KW) | | | Flare Conn. | O.P.D (kpa) | | Max Working Pressure | Ambient Temp Range | Fluid Temp | List Price Ex GST |
|----------------------|----------------|----------|------------------------|-------|------|-------------|-------------|----------|----------------------|--------------------|-----------------|-------------------|
| | | | R410a | R134a | R22 | | Min | Max | | | | |
| RPV602BYFABEN | 6 | 0.60 | 9.0 | 8.9 | 9.5 | 1/4 Flare | 0 | 3600 kpa | 4300 kpa | -30°C to +50°C | -40°C to +125°C | \$ 120.43 |
| RPV603BYFABEN | | 0.90 | 13.0 | 13.0 | 14.0 | 3/8 Flare | 0 | | | | | \$ 120.43 |
| RPV1004BYFABEN | 10 | 2.4 | 36.0 | 36.0 | 38.0 | 1/2 Flare | 5 | 3600 kpa | 4300 kpa | -30°C to +50°C | -40°C to +125°C | \$ 204.68 |
| RPV1205BYFABEN | 12 | 3.6 | 54.0 | 53.0 | 57.0 | 5/8 Flare | 5 | | | | | \$ 229.46 |

*Nominal capacities are based on $\Delta P = 0.015$ MPa, condensing temp = 38°C & evaporating temp = 5°C
 All valves supplied with 240 Volt AC 50/60Hz coils & DIN connector (IP65)
 (Note: flare nuts need to be purchased separately)

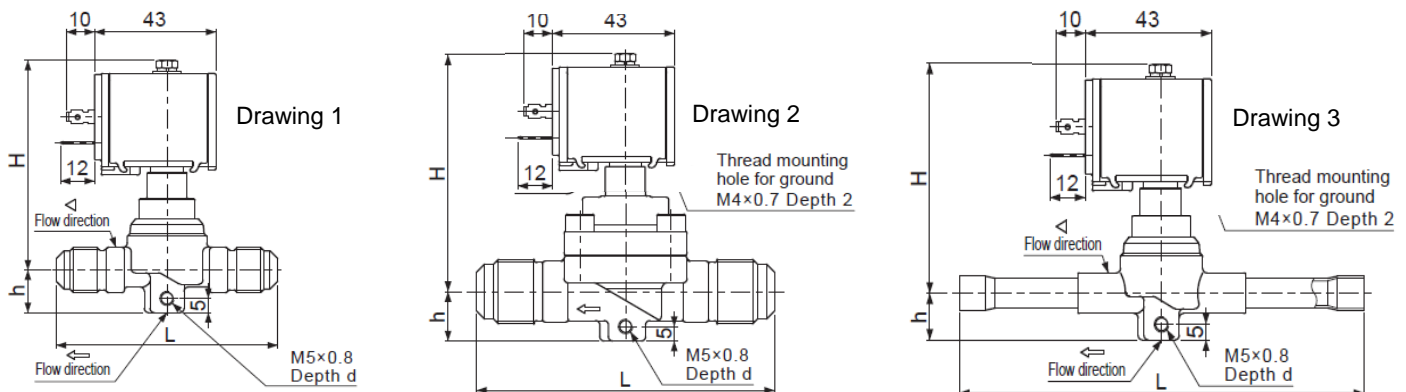
Saginomiya Solder Solenoid Valves - RPV Series

| Airefrig Part Number | Port Size (mm) | Cv Value | *Nominal Capacity (KW) | | | Solder Conn. | O.P.D (kpa) | | Max Working Pressure | Ambient Temp Range | Fluid Temp | List Price Ex GST |
|----------------------|----------------|----------|------------------------|-------|------|--------------|-------------|----------|----------------------|--------------------|-----------------|-------------------|
| | | | R410a | R134a | R22 | | Min | Max | | | | |
| RPV602DYFABEN | 6 | 0.60 | 9.0 | 8.9 | 9.5 | 1/4 ODF | 0 | 3600 kpa | 4300 kpa | -30°C to +50°C | -40°C to +125°C | \$ 130.34 |
| RPV603DYFABEN | | 0.90 | 13.0 | 13.0 | 14.0 | 3/8 ODF | 0 | | | | | \$ 130.34 |
| RPV1004DYFABEN | 10 | 2.4 | 36.0 | 36.0 | 38.0 | 1/2 ODF | 5 | 3600 kpa | 4300 kpa | -30°C to +50°C | -40°C to +125°C | \$ 219.55 |
| RPV1205DYFABEN | 12 | 3.6 | 54.0 | 53.0 | 57.0 | 5/8 ODF | 5 | | | | | \$ 249.29 |
| RPV1606DYFABEN | 16 | 5.6 | 84.0 | 83.0 | 89.0 | 3/4 ODF | | | | | | \$ 279.02 |

*Nominal capacities are based on $\Delta P = 0.015$ MPa, condensing temp = 38°C & evaporating temp = 5°C
 All valves supplied with 240 Volt AC 50/60Hz coils & DIN connector (IP65)

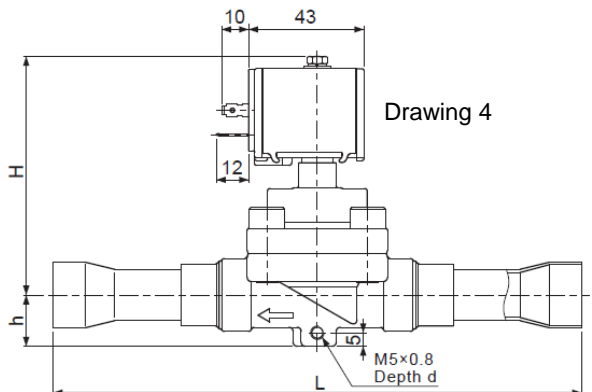
Replacement Coil & DIN connector

| | | |
|---------------|---|---------|
| RPVMODJ2055A1 | Coil 240 volt 50Hz DIN type for RPV valve (suits Hirschman DIN Connector) | P.O.A. |
| RPVPV01952 | Socket for DIN Coil (Hirschman DIN Connector) IP65 | \$11.40 |



| Airefrig Part Number | Weight (kg) | Drawing No. | Dimensions (mm) | | | |
|----------------------|-------------|-------------|-----------------|----|------|----|
| | | | L | H | h | d |
| RPV602BYFABEN | 0.4 | 1 | 71 | 74 | 15 | 12 |
| RPV603BYFABEN | 0.4 | | 78 | 74 | 15 | 12 |
| RPV1004BYFABEN | 0.6 | 2 | 96 | 77 | 15.5 | 17 |
| RPV1205BYFABEN | 0.7 | | 104 | 82 | 17 | 20 |
| RPV602DYFABEN | 0.4 | 3 | 140 | 74 | 15 | 12 |
| RPV603DYFABEN | 0.4 | | 138 | 74 | 15 | 12 |
| RPV1004DYFABEN | 0.6 | 4 | 158 | 77 | 15.5 | 17 |
| RPV1205DYFABEN | 0.7 | | 171 | 82 | 17 | 20 |
| RPV1606DYFABEN | 1.1 | | 196 | 89 | 19 | 24 |

(Weight excludes flare nuts)



AIREFRIG AUSTRALIA PTY LTD
 RECOMMENDED LIST PRICES
 A.B.N. 95 008 761 573

ALL PRICES ARE EXCLUSIVE OF GST
 SUBJECT TO CHANGE WITHOUT NOTICE
 EFFECTIVE MARCH 2014

SOLENOID VALVES - SAGINOMIYA

Saginomiya Solenoid Valves

| Airefrig Part Number | Nom Capacity KW | | Connection | O.P.D KPa | | Max Working Pressure | Fluid Temp °C | Ambient Temp °C | List Price Ex GST | | | | | | | | | | | | |
|----------------------|--|------|------------|-----------|----------|----------------------|---------------|-----------------|-------------------|----------|------------|-----------|----------|----------|------------|-----------|----------|--|--|--|--|
| | R134a | R22 | | Min | Max | | | | | | | | | | | | | | | | |
| TEV1920D | - | - | 1/4 ODF | 0 | 1700 | 3300 | -30 to 110 | -20 to 50 | \$32.91 | | | | | | | | | | | | |
| SEV502BXFQ75 * | 7.4 | 8.1 | 1/4 Flare | | \$117.29 | | | | | | | | | | | | | | | | |
| SEV603BXFQ100 * | 11.6 | 12.7 | 3/8 Flare | | \$118.91 | | | | | | | | | | | | | | | | |
| SEV1004BXFQ52 * | 25.7 | 27.4 | 1/2 Flare | 7 | 2450 | 2940 KPa | -40 to 125 | -30 to 50 | \$218.86 | | | | | | | | | | | | |
| SEV1205BXFQ22 * | 42.6 | 45.7 | 5/8 Flare | | | | | | \$252.99 | | | | | | | | | | | | |
| SEV502DXFQ76 * | 7.7 | 8.4 | 1/4 ODF | 0 | | | | | 2450 | 2940 KPa | -40 to 125 | -30 to 50 | \$132.68 | | | | | | | | |
| SEV603DXFQ101 * | 12.3 | 13.3 | 3/8 ODF | | | | | | | | | | \$134.31 | | | | | | | | |
| SEV1004DXFQ53 * | 29.2 | 31.3 | 1/2 ODF | 7 | | | | | | | | | 2450 | 2940 KPa | -40 to 125 | -30 to 50 | \$222.93 | | | | |
| SEV1205DXFQ23 | 51.3 | 54.9 | 5/8 ODF | | | | | | | | | | | | | | \$254.84 | | | | |
| SEV1506DXFQ22 | 77.7 | 83.3 | 3/4 ODF | | | | | | | | | | | | | | \$392.78 | | | | |
| SEV7A01037 | Replacement SEV Coil 240Volt AC 50/60Hz | | | | | | | | | | | | | | | | \$47.97 | | | | |
| SEVEV06295 | Coil only 12Volt DC suit SEV Solenoid valves | | | | | | | | | | | | | | | | \$106.82 | | | | |
| SEVEV06296 | Coil only 24Volt DC suit SEV Solenoid valves | | | | | | | | | | | | | | | | \$106.82 | | | | |



TEV1920D



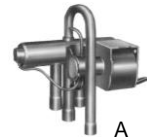
SEV-D

All valves supplied with 240 Volt AC 50/60Hz coils & Flare Nuts (if applicable) * Supplied with Mounting Brackets

REVERSING VALVES - SAGINOMIYA

Saginomiya Reversing Valves

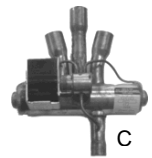
| Airefrig Part Number | Port mm | Disch ins | Suct ins | Max OPD KPa | Min OPD KPa | Nominal Capacity | | Refrigerants | | Body Type | List Price Ex GST |
|----------------------|---------|-----------|----------|-------------|-------------|------------------|-------|--------------|-------|-----------|-------------------|
| | | | | | | KW | Tons | R22 / R407C | R410a | | |
| STF0101G | 8.0 | 5/16 | 3/8 | 2450 | 300 | 5.64 | 1.60 | Yes | Yes | A | P.O.A. |
| STF0202G | 11.1 | 3/8 | 1/2 | | | 9.14 | 2.60 | Yes | Yes | A | \$158.65 |
| STF0301G | 11.5 | 1/2 | 5/8 | | | 11.04 | 3.14 | Yes | Yes | C | \$253.81 |
| STF0306Z | 11.5 | 1/2 | 3/4 | | | 11.04 | 3.14 | Yes | No | C | \$220.71 |
| STF0310Z | 11.5 | 1/2 | 3/4 | | | 11.04 | 3.14 | Yes | No | C | \$220.71 |
| STF0408G | 15.5 | 1/2 | 3/4 | | | 20.75 | 5.90 | Yes | Yes | B | \$331.07 |
| STF0409G | 15.5 | 1/2 | 7/8 | | | 20.75 | 5.90 | Yes | Yes | B | \$331.07 |
| STF0409G24V | 15.5 | 1/2 | 7/8 | | | 20.75 | 5.90 | Yes | Yes | B | \$276.86 |
| STF0712G | 20.0 | 3/4 | 7/8 | | | 34.46 | 9.8 | Yes | Yes | B | \$397.28 |
| STF0720G | 20.0 | 7/8 | 1-1/8 | | | 34.46 | 9.8 | Yes | Yes | B | \$397.28 |
| STF2017G | 24.0 | 1-1/8 | 1-3/8 | 3100 | 300 | 74.00 | 21.04 | Yes | Yes | B | \$648.58 |



A



B



C

All Valves are supplied with 240-volt AC 50/60 Hz Coil. (Except STF0409G24V supplied with 24-volt coil)

Saginomiya Reversing Valve Coils

| Airefrig Part Number | Description | List Price Ex GST |
|----------------------|--|-------------------|
| CHV01AB500B1 | Replacement Coil 24Volt AC 50/60Hz 600mm Lead suit STF/CHV valves | \$55.71 |
| CHV01AJ503E1 | Replacement Coil 240Volt AC 50/60Hz 600mm Lead suit STF/CHV valves | \$48.84 |