

OIL FAILURE CONTROLS - DANFOSS

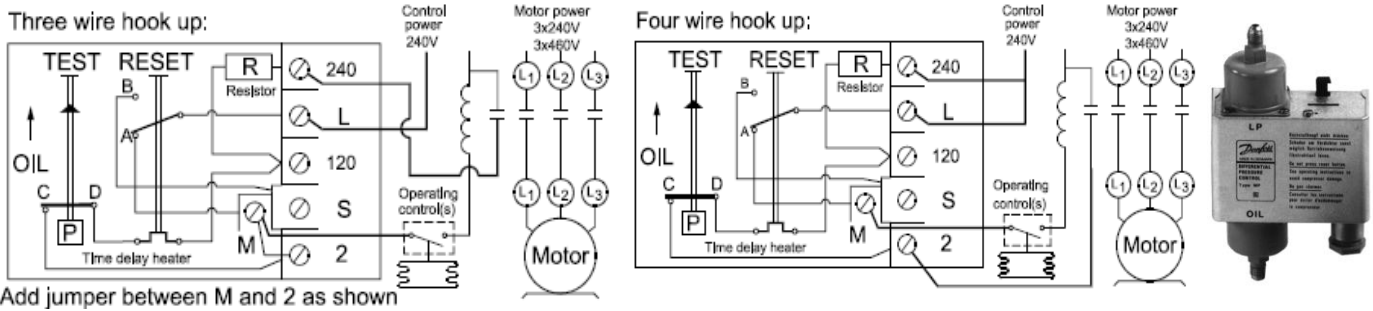
Danfoss Oil Failure Controls

Airefrig Part Number	Range KPa		Differential KPa		Reset	Time Delay	Pressure Connections	Timer Voltage	Timer Circuit	List Price Ex GST
	Min	Max	Min	Max						
60B0168 (MP54)	-100	1200	65 fixed		manual	90 sec	1/4 Male Flare	115/230V AC/DC	SPDT	\$1035.02
60B0172 (MP55)	-100	1200	30	450						\$1055.74

R717 (Ammonia)

60B0176 (MP55A)	-100	1200	30	450	manual	90 sec	G 3/8 A Pipe Thread	115/230V AC/DC	SPDT	P.O.A.
-----------------	------	------	----	-----	--------	--------	---------------------	----------------	------	--------

Contact Ratings: AC15 = 2A, 250V DC13=0.2A, 250V



OIL FAILURE CONTROLS - SAGINOMIYA

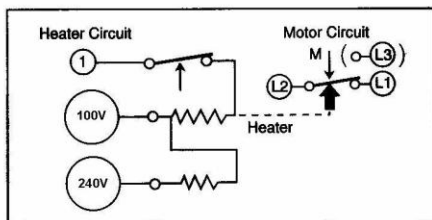
Saginomiya Oil Failure Controls

Airefrig Part Number	Range KPa		Differential KPa		Reset	Time Delay	Pressure Connections	Timer Voltage	Timer Circuit	List Price Ex GST
	Min	Max	Min	Max						
ONSC106XQ35	50	350	50 fixed		Manual	90 sec	1/4 Male Flare	120/240v AC	With Alarm Contact SPDT	\$346.95
ONSC106XQ36	50	350	50 fixed			120 sec				\$346.95

Controls are complete with Mounting Brackets and Flare Nuts

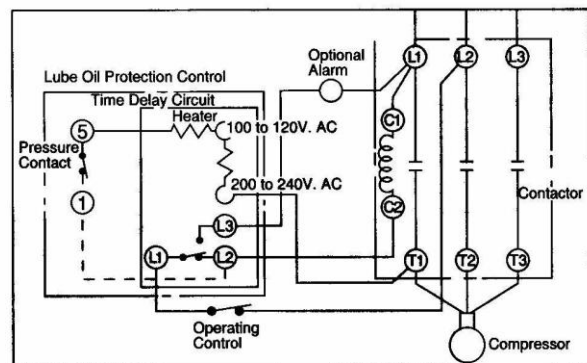
Electrical Ratings: 250volt AC Max Current: 3.0amps Locked Rotor: 10.0amps

ONS Contact Functions



↑ : Operating direction of pressure increase
 ↑↑ : Operating direction of timer when energized
 M ↓ : Operating direction of manual reset
 (L3: Alarm Contact provided with a lead wire approx. ϕ 3.5×100mm with a soldered terminal.)

ONS Wiring Example



1		Common Terminal
100	Heater Circuit	100V Power Supply Terminal
240		240V Power Supply Terminal
L1	Motor Circuit	Open on Decrease of Pressure Difference
L2		Main Contact
L3		Alarm Contact

110/220V. AC, 120/240V. AC etc. available

