

STRUT CLIPS AND CHANNEL

Strut Clips and Channel

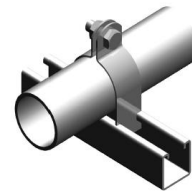
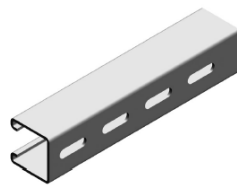
Strut Clips – Zinc Plated (includes nut & bolt)

Airefrig Part Number	Outside Pipe Ø (mm)	Pack Quantity	List Price Per Pack Excl GST
J2025PKT	9.5	10 pairs of clips per packet	\$21.70
J2026PKT	12.7		\$21.70
J2027PKT	15.9		\$21.70
J2029PKT	22.2		\$24.50
J2030PKT	25.4		\$27.65
J2033PKT	34.9		\$31.50
J2034PKT	38.1		\$31.50
J2035PKT	41.3		\$31.50
J2037PKT	48.0		\$36.40
J2038PKT	50.8		\$36.40
J2039PKT	54.0		\$38.85
J2040PKT	56.0		\$41.30
J1117PKT	60.0	supplied with nuts & bolts	\$42.35
J2042PKT	64.0		\$44.80
J2043PKT	66.7		\$44.80
J2044PKT	70.0		\$46.55
J1118PKT	73.0		\$46.90
J2046PKT	76.2		\$50.75
J2047PKT	79.4		\$51.10

Airefrig Part Number	Outside Pipe Ø (mm)	Pack Quantity	List Price Per Pack Excl GST
J2048PKT	83.0	10 pairs of clips per packet	\$51.80
J2049PKT	86.0		\$55.30
J1119PKT	88.9		\$55.30
J2051PKT	92.0		\$61.60
J2052PKT	95.0		\$62.30
J2053PKT	98.0		\$64.40
J2055PKT	105.0		\$69.30
J2056PKT	108.0		\$72.45
J2057PKT	110.0		\$72.45
J1121PKT	115.0		\$75.60
J2059PKT	117.0		\$80.50
J2060PKT	121.0		supplied with nuts & bolts
J2062PKT	127.0	\$87.85	
J2064PKT	133.0	\$93.80	
J2068PKT	146.0	\$99.75	
J2070PKT	152.0	\$101.50	
J207062PKT	160.0	\$103.60	
J207070PKT	178.0	\$138.25	
J207080PKT	203.0	\$155.40	

Strut Channel – Galvanised

Airefrig Part Number	Description (W x H x L)	List Price Ex GST
B1000	Channel Galvanised 41mm x 41mm x 6000mm	\$133.00
B1000HI	Channel Slotted Galvanised 41mm x 41mm x 6000mm	\$140.00
B3300	Channel Galvanised 41mm x 21mm x 6000mm	\$84.00
B3300SH	Channel Slotted Galvanised 41mm x 21mm x 6000mm	\$98.00



HANGER CLIPS

Metal Hanger Clips – for use on 8mm or 10mm Threaded Rods

Airefrig Part Number	Description	Pack Quantity	List Price per Pack - Excl GST
BBJ3	Metal Hangers suit (approx) 1/2" liquid & 7/8" suction insulated lines	10	\$88.20
BBJ4	Metal Hangers suit (approx) 5/8" liquid & 1-1/8" suction insulated lines	10	\$91.70

Maximum load 25kg (all sizes) , Finished in zinc plated & colour passivated, minimum thickness 8 microns.



RAPID PIPE CLIPS



Material Properties

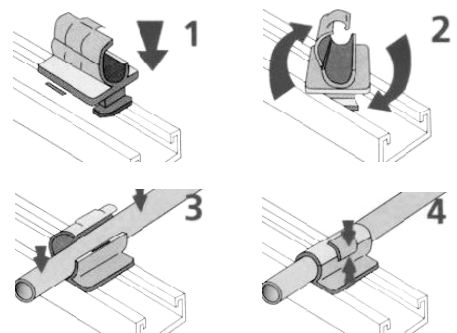
- All Rapid Pipe Clips are manufactured from a composite polyamide alloy that has the tensile strength of nylon, but with superior impact strength especially at lower temperatures.
- Temperature range -40°C to $+140^{\circ}\text{C}$.
- More rigid than standard P6 polyamide.
- Less than 4% deformation under stresses of up to 40Mpa. (Mega Pascals)
- High resistance to mechanical stress creep.
- Withstands all known solvents, hydrolysis, battery acids and salt solutions.
- Low moisture sensitivity.
- Stable electrical and vibrational properties.
- Very good seal to water, gases and solvents.
- Less “yellowing” at high temperatures than other polyamides, good resistance to UV light.
- Melting point $+220^{\circ}\text{C}$ – UL94 (Underwriters’ Laboratory) rating of HB.
- Under normal installation – no flame spread and toxic emissions insignificant.

Rapid Pipe Clip

The Rapid Pipe Clip is made from a composite polyamide alloy combining strength with light weight, the clip is easy and fast to install. This one piece single hand fixing requires no mechanical aids, completely sealing the pipe work or cable. The RPC is designed to fit all pre-formed channels of a profile width of 41mm with an inturned channel lip of 10mm width or 7mm depth. It will not tighten down on pipe work therefore eliminating possible cracks or fractures.

- Quick and easy to install.
- One piece - single handed fixing.
- Fits most rails and channels.
- Non mechanical tightening.
- Completely seals the pipe work.
- Made in black composite nylon.

Airefrig Part Number	Clip Inside Diameter		Pack Quantity	List Price Per Pack Excl GST
	mm	Inches		
RPC38PKT	10	3/8	10	\$28.00
RPC12PKT	12	1/2	10	\$28.00
RPC58PKT	15	5/8	10	\$28.00
RPC34PKT	20	3/4	10	\$32.00
RPC78PKT	22	7/8	10	\$33.60
RPC118PKT	28	1 1/8	10	\$35.20
RPC138PKT	35	1 3/8	10	\$36.80
RPC158PKT	42	1 5/8	10	\$40.00



RAPID PIPE CLIPS

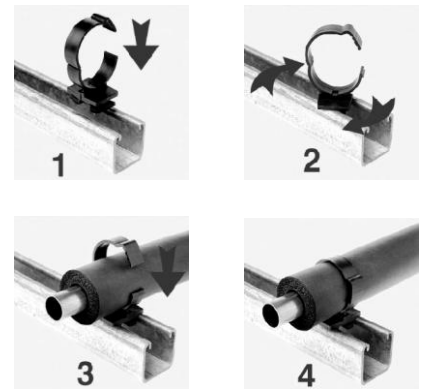


Insul Pipe Clip

The InsulClip has been developed by Rapid Positioning Clips Ltd., to combine the advantages of the proven RPC channel foot and the versatile collar that allows the installation of pipe work with imperial or metric outside diameters.

The great advantage is the InsulClip allows an unbroken vapour barrier seal, eliminating the problem of sweating on metal fittings. The clip is ideal for the installation of VRV systems allowing the barrier seal to run the length of the pipe work without breaks in insulation material. The clip secures both the pipe and insulation.

Airefrig Part Number	Clip Inside Diameter		Pack Quantity	List Price Per Pack Excl GST
	mm	Inches		
IC0015PKT	15	5/8	10	\$20.80
IC0020PKT	20	3/4	10	\$24.00
IC0022PKT	22	7/8	10	\$25.60
IC0025PKT	25	1	10	\$28.80
IC0028PKT	28	1 1/8	10	\$32.00
IC0032PKT	32	1 1/4	10	\$35.20
IC0035PKT	35	1 3/8	10	\$38.40
IC0040PKT	40	1 1/2	10	\$41.60
IC0042PKT	42	1 5/8	10	\$44.80
IC0050PKT	50	2	10	\$48.00
IC0054PKT	54	2 1/8	10	\$51.20

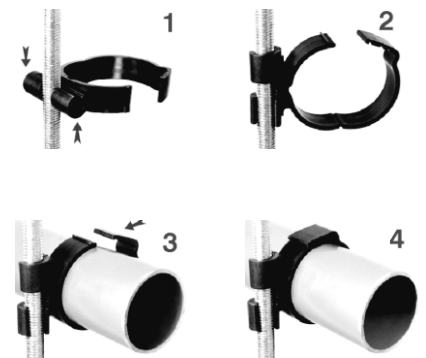


Studding (Threaded Rod) - Pipe Clip

The Studding Pipe Clip is a unique one-piece design manufactured from a composite Polyamide Alloy combining strength with light weight. It will overcome the problems of using cable ties for piping, electrical, optical and network cabling. The studding pipe clip is extremely quick and simple to use, fitting effortlessly on conventional 8mm and 10mm (European standard) and 3/8" (US Standard) studding.

The solid connection can be adjusted up and down by simply rotating the clip that uses the stud thread as if it were a nut. The studding clip is a major advance in efficiency for the installation of air conditioning, refrigeration, plumbing pipe work, electrical conduit as well as network and optical cabling.

Airefrig Part Number	Clip Inside Diameter		Fits Stud Dia mm	Pack Quantity	List Price Per Pack Excl GST
	mm	Inches			
SC1015PKT	15	5/8	10	10	\$26.40
SC1020PKT	20	3/4	10	10	\$27.20
SC1022PKT	22	7/8	10	10	\$16.80
SC1025PKT	25	1	10	10	\$17.60
SC1028PKT	28	1 1/8	10	10	\$17.60
SC1032PKT	32	1 1/4	10	10	\$18.40
SC1035PKT	35	1 3/8	10	10	\$19.20
SC1040PKT	40	1 1/2	10	10	\$20.80
SC1042PKT	42	1 5/8	10	10	\$21.60
SC1050PKT	50	2	10	10	\$24.00
SC1054PKT	54	2 1/8	10	10	\$25.60



BETA CLAMP

Beta Clamp

- The Beta Clamps are suitable for clamping pipes, hoses and electric cables. These are a sensible and easy way of securing piping and hoses in all types of installations.
- The main features of Beta Clamp are its shock-absorption, vibration dampening and noise reducing properties.
- Beta Clamps have a practical and economical design, which make for quick, easy pipe installation and layout.
- Using weldable plates, it's easy to anchor the clamps to machinery and steelwork.
- Fast, safe and economic installation.
- Upper and lower clamp halves are identical.
- Ribs in clamp bore are designed to absorb shock and vibration.
- High sound absorption is guaranteed.
- Clamp Body: Standard-Polypropylene (Green Color) -30°C to +90°C
- Steel Lower and upper plates.
- Steel Screw Bolts.

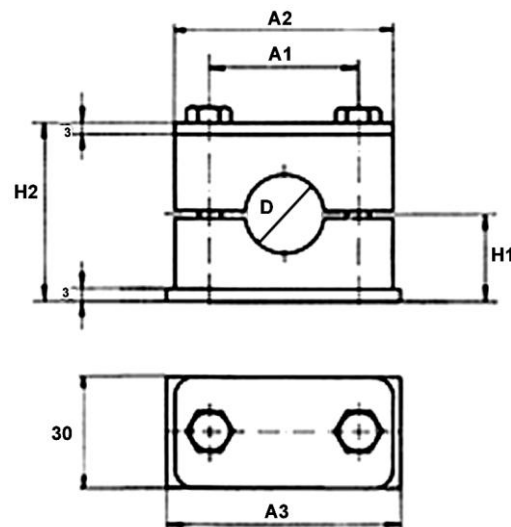
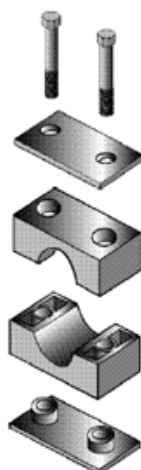


Beta Clamps

Airefrig Part Number	SIZE	A1	A2	A3	H1	H2	HEXBOLT	List Price Per Clamp Excl GST
		mm						
S1004S	1/4"	20	34	34	16	32	1/4"-20 x 1-1/4"	\$5.89
S1006S	3/8"	20	34	34	16	32	1/4"-20 x 1-1/4"	\$5.89
S2008S	1/2"	26	40	42	19.5	39	1/4"-20 x 1-3/8"	\$6.37
S2010S	5/8"	26	40	42	19.5	39	1/4"-20 x 1-3/8"	\$6.37
S3012S	3/4"	33	50	52	20.5	41	1/4"-20 x 1-1/2"	\$7.15
S3015S	7/8"	33	50	52	20.5	41	1/4"-20 x 1-1/2"	\$7.15
S3016S	1"	33	50	52	20.5	41	1/4"-20 x 1-1/2"	\$7.15
S4018S	1 1/8"	40	58	60	24	48	1/4"-20 x 1-3/4"	\$7.73
S5020S	1 1/4"	52	70	72	32	64	1/4"-20 x 2-1/2"	\$9.37

Stauff Clamps

SP5350PPDPAS	1 3/8"	52	71	71	28	64	M6 x 60mm	\$14.01
SP5420PPDPAS	1 5/8"	52	71	71	28	64	M6 x 60mm	\$14.00
SP7550PPDPAS	2 1/8"	94	118	118	51	102	M6 x 100mm	\$26.36
SP7650PPDPAS	2 5/8"	94	118	118	51	102	M6 x 100mm	\$24.14

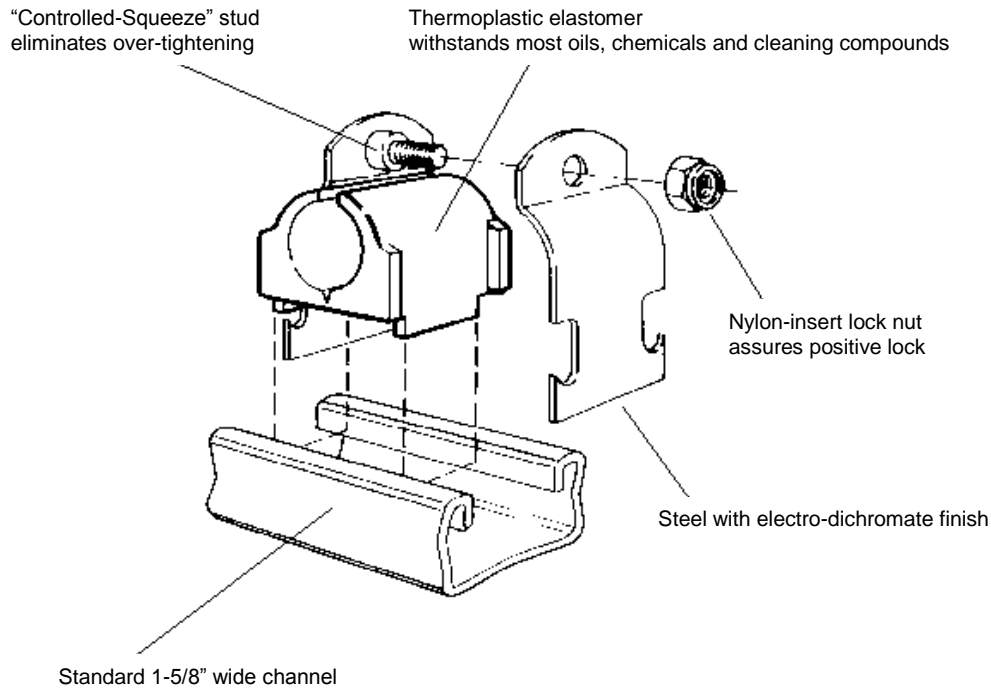


CUSH-A-CLAMP

Cush-A-Clamp®

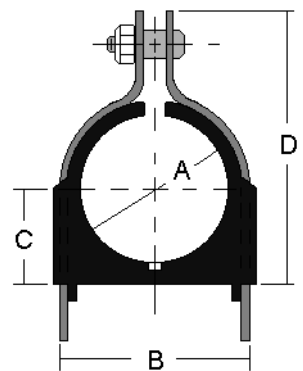
CUSH-A-CLAMP® channel mounted clamping systems are ideal for multiple pipe runs, while absorbing shock and vibration, reducing unwanted noise and preventing galvanic corrosion.

Manufactured from a thermoplastic elastomer, it's built tough to withstand the effects of most oils, chemicals and industrial cleaning compounds, in temperatures from -45°C to 135°C. A patented "Living Hinge" allows the cushion to be spread apart for quick, easy installation. Interlock edges and channel locator legs insure that the cushion remains in place.



Cush-A-Clamp

Airefrig Part Number	Copper Tube OD Dim. "A"	Dimension "B" (mm)	Dimension "C" (mm)	Dimension "D" (mm)	Pack Quantity	List Price Per Pack Excl GST
004T008PKT	1/4"	15.7	6.9	24.9	10	\$43.10
006T010PKT	3/8"	20.8	8.4	28.7	10	\$43.10
008T012PKT	1/2"	23.9	10.2	34.0	10	\$43.10
010T014PKT	5/8"	26.9	11.7	39.1	10	\$45.80
012T016PKT	3/4"	30.5	13.2	42.7	10	\$49.00
014T018PKT	7/8"	33.3	14.7	46.2	10	\$51.20
016T020PKT	1"	36.6	16.5	49.5	10	\$57.30
018T022PKT	1 1/8"	39.9	17.8	52.8	10	\$60.70
020T024PKT	1 1/4"	43.2	19.6	56.1	10	\$65.60
022T026PKT	1 3/8"	46.2	21.1	59.4	10	\$77.70
024N028PKT	1 1/2"	49.5	22.9	62.7	5	\$38.85
026N030PKT	1 5/8"	52.6	24.4	66.0	5	\$43.20
028N032PKT	1 3/4"	55.9	25.9	69.3	5	\$49.60
030N034PKT	1 7/8"	58.9	27.7	72.6	5	\$54.00
032N036PKT	2"	62.2	29.2	77.2	5	\$59.00
034N040PKT	2 1/8"	65.3	32.3	82.0	5	\$65.30
042N048PKT	2 5/8"	77.9	38.8	99.5	5	\$78.95



CUSH-A-CLAW

Cush-A-Claw™

Cush-A-Claw™ is a unique one-piece patented pipe clip system designed for quick, simple and easy installation.

The Cush-A-Claw™ is a channel mounted clamping system molded from rust free TPE (thermoplastic elastomer) material that grabs easily on to pipe or hose and holds it in place.

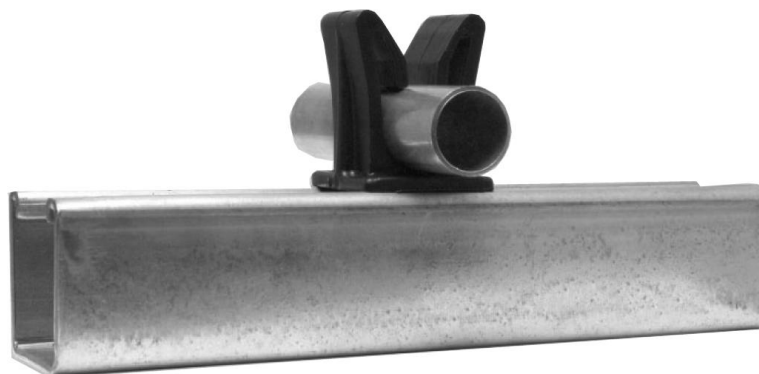
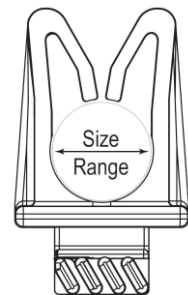
Features

- Quick, simple and easy snap-in installation of tube, pipe and hose
- Sure grip strut base easily rotates into strut
- Will not rust and is non-conducting
- Saves time and money
- Temperature range: -45°C to 135°C
- Suitable for indoor and outdoor use
- Six sizes of tube
- Designed for light duty loads and applications
- Prevents galvanic corrosion of dissimilar metals
- An excellent alternative to steel, stainless steel or galvanised clamps.



Cush-A-Claw

Airefrig Part Number	Size Range Tube O.D.		Pack Quantity	List Price Per Pack Excl GST
	mm	Inches		
CL06PKT	9.5	3/8	10	\$31.52
CL08PKT	12.7	1/2	10	\$31.84
CL10PKT	15.9	5/8	10	\$32.08
CL12PKT	19.1	3/4	10	\$32.16
CL14PKT	22.2	7/8	10	\$32.48
CL18PKT	28.6	1 1/8	10	\$35.28



CUSH-A-GRIP

Cush-A-Grip™

Cush-A-Grip

Airefrig Part Number	Copper Tube OD Size	Pipe Size	Diameter (mm)	Pack Quantity	List Price Per Pack Excl GST
CG10PKT	1/4" 3/8" 1/2"	1/4"	6 - 14	10	\$45.90
CG20PKT	5/8" 3/4" 7/8"	3/8" 1/2"	15 - 22	10	\$52.90
CG30PKT	7/8" 1" 1-1/8"	3/4"	22 - 28	10	\$60.00
CG40PKT	1" 1-1/8" 1-1/4"	3/4" 1"	26 - 32	10	\$61.70

Multi-size adjustment capability allows four clamp sizes to fit fifteen sizes of tube and pipe

Features:

- Fits ten sizes of copper tube
- Fits five sizes of pipe
- Diameters from 1/4" to 1-1/4"
- Metric sizes from 6 to 32mm

Advantages:

- Reduces inventory
- Fewer parts needed on the job
- Simplifies take-offs and requirements on projects using both tube and pipe sizes

Benefits:

- Lowers overall inventory costs
- Always have the right clamp on hand when you need it
- Job costing made easier and more accurate

Complete with stainless steel bolt and captured nylon lock nut

Features:

- Hex slotted machine screw
- Captured nylon lock nut

Advantages:

- Industry standard hardware
- Easy installation

Benefits:

- Works with screw or nut driver
- Resists vibration

Made from high-strength temperature-adverse, UV resistant, nylon reinforced TPI material

Features:

- Non conducting
- Corrosion resistant

Advantages:

- Pull out and slip loads rival that of steel
- Permissible outdoors
- Temp Range: +190°C to -40°C
- No galvanic reaction
- Will not rust

Benefits:

- Use in place of steel clamps with steel tube
- Covers a wide range of applications and maintains thermal barrier
- For use on copper tube
- Use in place of stainless, aluminium, PCV or hot dipped galvanised clamps



COPPER FITTINGS

Copper Y Pieces

Airefrig Part Number	Size Inches	R410A Compatible	List Price Excl GST
CYP080606410	1/2 x 3/8 x 3/8	-	\$28.42
CYP080808410	1/2 x 1/2 x 1/2	-	\$45.41
CYP100808410	5/8 x 1/2 x 1/2	Yes	\$46.53
CYP101010410	5/8 x 5/8 x 5/8	Yes	\$41.88
CYP120808	3/4 x 1/2 x 1/2	-	\$74.22
CYP121010	3/4 x 5/8 x 5/8	-	\$54.99
CYP141414	7/8 x 7/8 x 7/8	-	\$57.09
CYP161212	1 x 3/4 x 3/4	-	\$57.52
CYP181414	1 1/8 x 7/8 x 7/8	-	\$78.73
CYP181818	1 1/8 x 1 1/8 x 1 1/8	-	P.O.A.



Copper Pipe Clips

Airefrig Part Number	Size Inches	R410A Compatible	List Price Excl GST
CPC04	1/4	n/a	\$0.66
CPC05	5/16	n/a	\$0.88
CPC06	3/8	n/a	\$0.79
CPC08	1/2	n/a	\$0.84
CPC10	5/8	n/a	\$1.09
CPC12	3/4	n/a	\$1.26
CPC14	7/8	n/a	\$1.44
CPC16	1	n/a	\$2.03
CPC18	1 1/8	n/a	\$2.38
CPC20	1 1/4	n/a	\$5.25
CPC22	1 3/8	n/a	\$6.24
CPC24	1 1/2	n/a	\$6.63
CPC26	1 5/8	n/a	\$7.19
CPC28	1 3/4	n/a	\$8.65
CPC32	2	n/a	\$8.61
CPC34	2 1/8	n/a	\$10.07
CPC40	2 1/2	n/a	\$12.95

