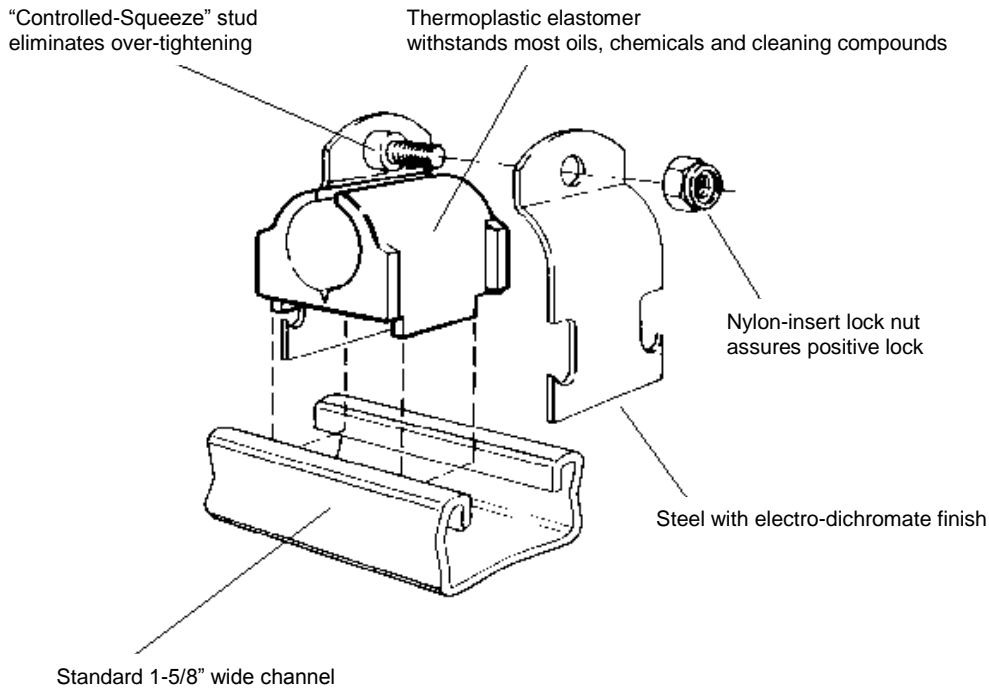


CUSH-A-CLAMP

Cush-A-Clamp®

CUSH-A-CLAMP® channel mounted clamping systems are ideal for multiple pipe runs, while absorbing shock and vibration, reducing unwanted noise and preventing galvanic corrosion.

Manufactured from a thermoplastic elastomer, it's built tough to withstand the effects of most oils, chemicals and industrial cleaning compounds, in temperatures from -45°C to 135°C. A patented "Living Hinge" allows the cushion to be spread apart for quick, easy installation. Interlock edges and channel locator legs insure that the cushion remains in place.



Cush-A-Clamp

Airefrig Part Number	Copper Tube OD Dim. "A"	Dimension "B" (mm)	Dimension "C" (mm)	Dimension "D" (mm)	Pack Quantity	List Price Per Pack Excl GST
004T008PKT	1/4"	15.7	6.9	24.9	10	\$43.10
006T010PKT	3/8"	20.8	8.4	28.7	10	\$43.10
008T012PKT	1/2"	23.9	10.2	34.0	10	\$43.10
010T014PKT	5/8"	26.9	11.7	39.1	10	\$45.80
012T016PKT	3/4"	30.5	13.2	42.7	10	\$49.00
014T018PKT	7/8"	33.3	14.7	46.2	10	\$51.20
016T020PKT	1"	36.6	16.5	49.5	10	\$57.30
018T022PKT	1 1/8"	39.9	17.8	52.8	10	\$60.70
020T024PKT	1 1/4"	43.2	19.6	56.1	10	\$65.60
022T026PKT	1 3/8"	46.2	21.1	59.4	10	\$77.70
024N028PKT	1 1/2"	49.5	22.9	62.7	5	\$38.85
026N030PKT	1 5/8"	52.6	24.4	66.0	5	\$43.20
028N032PKT	1 3/4"	55.9	25.9	69.3	5	\$49.60
030N034PKT	1 7/8"	58.9	27.7	72.6	5	\$54.00
032N036PKT	2"	62.2	29.2	77.2	5	\$59.00
034N040PKT	2 1/8"	65.3	32.3	82.0	5	\$65.30
042N048PKT	2 5/8"	77.9	38.8	99.5	5	\$78.95

