

DIRECT DRIVE BLOWERS

Torin Single Fan Decks

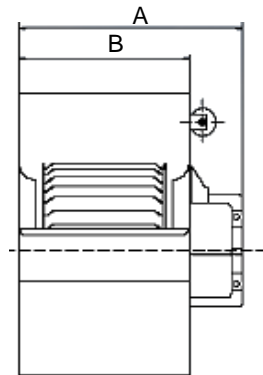
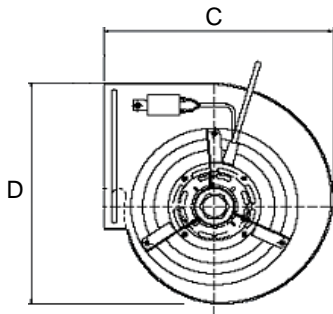
Airefrig Part Number	Motor Model	Wheel (mm) Diam x width	Motor	Watts Out	Dimensions mm				List Price Excl GST
					A	B	C	D	
DDG203203481	40P5134-180SC	203 x 203	240 Volt 4 Pole 3 Speed	180	386	248	306	319	\$529.80
DDG203203060	40P5134-315SA	203 x 203		315	386	248	306	319	\$529.80
DDC241181200C	40P5134-315SA	241 x 181		315	305	234	380	392	P.O.A.
DDG241T181200C	40P5134-315SA	241 x 181		315	305	234	325	327	\$575.05
DDC241241200	40P5134-315SA	241 x 241		315	345	300	380	392	\$605.47
DDC241241300	40P5134-600SA	241 x 241		600	365	300	380	392	\$643.30
DDG270270300	40P5134-600SA	270 x 270		600	400	334	420	442	\$662.24
DDC270270360	40P5134-750SA	270 x 270		750	400	334	420	442	P.O.A.
DDG270270360	40P5134-750SA	270 x 270		750	400	334	420	442	\$700.07

NOTE: More options available on request

The direct drive blowers have a forward curved wheel mounted directly to the motor shaft. Double inlet allows air to be drawn from both sides. The motors are 4 or 6 pole, 3 speed and some models maybe fitted with a particular size capacitor to give the desired performance. All motors have thermal overload protection and insulation that conforms to class B requirements. The housings are made from G2 Galvabond Steel Z275.

DDG uses the 'G' type wheels which have plastic wheels available from 82mm, 203mm, 241 & 270mm diameter.

DDC uses the 'C' type wheels which have individual blades that use a centre locking disc arrangement for the 241mm or 270mm diameter units.



Part Number Selection Chart

Basic Outline of Code:

1 2 3 4 5 6 7 8 9 10 11 12 13 14
 -

Details of Code:

- 1 **Type of Drive** D = Direct
- 2 **Configuration** D = Double inlet
- 3 **Wheel Type** C = inserted blade
G = plastic
- 4 5 6 **Wheel Diameter** In millimetres
- 7 **Housing** Dash = Standard housing
T = Tight housing
- 8 9 10 **Wheel Width** In millimetres
- 11 12 13 **Final Code** Odd number = clockwise rotation.
Even number = anti-clockwise rotation.
(view rotation from drive side)
- 14 **Capacitor** Blank = fixed value capacitor supplied.
C = Different value capacitors available.
Request value of capacitor required..

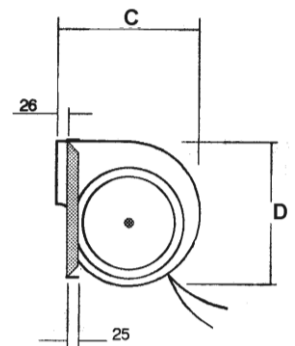
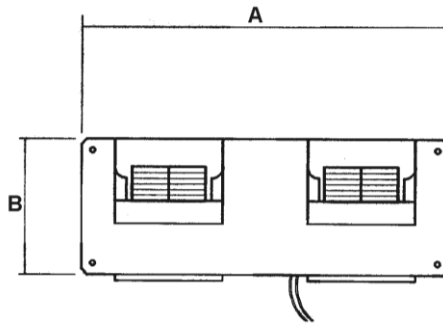
DIRECT DRIVE BLOWERS

Torin Twin Fan Decks

Airefrig Part Number	Motor Model	Wheel (mm) Diam x width	Motor	Watts Out	Dimensions mm				List Price Excl GST
					A	B	C	D	
DXG080095013	C12FB98	80 x 95	240 Volt 4 Pole 3 Speed	-	448	94	123	121.5	\$302.75
DXA080102002	C12FB98	80 x 102		-	448	94	121	127	\$340.59
DXA158203561	40P5134-130TA	158 x 203		130	800	255	262	270	\$662.24
DXG203203401	40P5134-315TA	203 x 203		315	813	308	306	320	\$737.91
DXG203203441	40P5134-600TA			600	813	308	306	320	\$832.51
DXG241T181441	40P5134-600TA	241 x 181		600	813	308	325	327	\$889.28
DXC241T181521	40P5134-750TA			750	810	300	380	327	\$908.22
DXG241181521	40P5134-750TA	241 x 241		750	810	300	380	392	\$946.05
DXC241241521	40P5134-750TA			750	900	300	380	392	\$1,038.80
DXC241241541	40P5134-1100TA			1100	1040	305	380	392	\$1,873.17

NOTE: More options available on request

The direct drive fan decks have forward curved wheels mounted directly to the motor shaft. The motors are 4 pole, 3 speed and some models maybe fitted with a particular size capacitor to give the desired performance. All motors have thermal overload protection and insulation that conforms to class B requirements. The housings are made from G2 Galvabond Steel Z275. DXC uses the 'C' type wheels which have individual blades that use a centre locking arrangement for the 241mm diameter unit. DXG uses the 'G' type wheels which have plastic wheels available from 82mm, 203mm, 241 & 270mm diameter. DXA uses the 'A' type wheels which have a louvred strip.



Part Number Selection Chart

Basic Outline of Code:														
1	2	3	4	5	6	7	8	9	10	11	12	13	14	
□	□	□	□	□	□	□	□	□	□	-	□	□	□	□
Details of Code:														
1	<input type="checkbox"/> Type of Drive		D = Direct											
2	<input type="checkbox"/> Configuration		X = Twin housings double inlet											
3	<input type="checkbox"/> Wheel Type		A = louvre strip (R) C = inserted blade (CL) G = plastic											
4	5	6	<input type="checkbox"/> <input type="checkbox"/> <input type="checkbox"/> Wheel Diameter		In millimetres									
7	<input type="checkbox"/> Housing		Dash = Standard housing T = Tight housing											
8	9	10	<input type="checkbox"/> <input type="checkbox"/> <input type="checkbox"/> Wheel Width		In millimetres									
11	12	13	<input type="checkbox"/> <input type="checkbox"/> <input type="checkbox"/> Final Code		Always an odd number									
14	<input type="checkbox"/> Capacitor		Blank = fixed value capacitor supplied. C = different value capacitors available. Request value of capacitor required											