

LIQUID LEVEL SWITCH



Liquid Level Switch

The S-9400 series liquid level switches use infrared light reflecting from a conical glass prism moulded in the sight glass as a means of detecting the absence of a fluid at the level of the glass cone. When no fluid covers the lower half of the cone, infra-red light from the module reflects from the mirror-like inner surface of the cone back to a light detector signalling the electronic module to switch. When fluid covers the lower half of the glass cone, the light from the module passes into the fluid. This absence of light is detected by the module, which switches into the opposite direction. The module provides a .06/.10 differential distance from the cone point down.

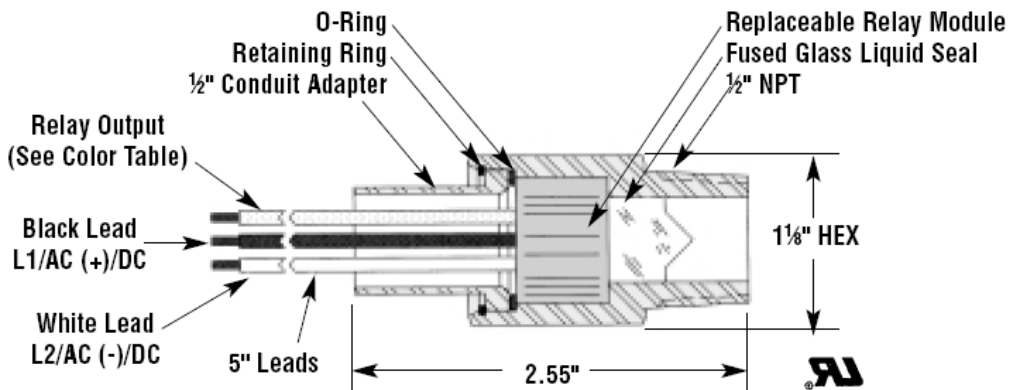
Features:

- Switches Solid-State for liquid sensing
 - No contact level sensing
 - Serviceable without loss of refrigerant
 - Works with oil, refrigerants, or any non-hazardous non-corrosive fluid
 - Glass prism in contact with fluid medium
 - Industry approved for Nema 4 and 4X for Water tight
 - Meets UL Standard #873 & #207 File Numbers E141577 & sa6720*
- *U.S. Patent #5,278,426 & other U.S. and Foreign Patents pending



Specifications:

- Mounting: 1/2" NPT Connection; Horizontal Only
- Switch Inductive Ratings: 36 va Pilot Duty Rated
- Contacts, Power Off: Normally Open (N.O.)
- Contact Life: Over 1 Million Cycles at Rated Electrical Load
- Pressure Rating: 1200 PSI Working, 6000 Burst
- Power for Operation: 3.5 ma AC, 5.5 ma DC
- Minimum Load: 2 ma (without bleed resistor)



Airefrig Part Number	Voltage	Resistive Rating	Contacts Liquid Present	Wire Colour Code	Min / Max Fluid Temp	List Price Ex GST
S9420A	208/240 50/60hz	0.25 Amps	N.O.	Red & White/Stripe	-40°C / 93°C	\$300.00