

ECOPOINT LED TUBES & LIGHTING



LED Tubes the future of lighting



ecoLED tube lights give you superior quality lighting with huge power savings. Their simple retrofit instantly reduces your energy use for lighting by as much as 70%. Add to that a life prediction of 50,000 hours and you maintenance costs and carbon emissions are massively reduced.

Finest Quality

ecoLED tubes lead the market with cutting edge technology, proprietary features and high quality components. Exclusive use of superior Everlight 3020 and 3528 LED's provide reliable high light output. Tight bin selection ensures true and consistent colour temperature.

Leaders and Longevity

Industry leaders, SOE's and government departments rely on ecoLED tubes to slash energy costs and help save our environment. Ecopoint has been developing green technology in New Zealand since 2005.

Massive Energy Savings with ecoLED

Compared to T8 fluorescent lamps, the energy savings generated with ecoLED's can materially increase bottom line profit with payback in as little as 2 years, particularly for customers with high lighting costs. ecoLED's also provide real and immediate carbon emissions savings.

Rotating End Cap

Rotating end caps with locking facility on ecoLED tubes allows directional lighting to fully optimise product display.



Aluminium Heat Sink

Aluminium strip on the spine of each tube increases heat dissipation and efficiency as well as adding rigidity to the lightweight polycarbonate body and lens.



Safety Wired

All ecoLED products are wired to comply with European Safety Standard EN60598.

Save up to 70% on Energy Costs

Compared to T8 fluorescent tubes, ecoLED's high lumens per watt offer huge and immediate savings on your energy costs for lighting of up to 70%.

50,000 Hour LED Life

Based on 18 hours per day, 7 days per week, ecoLED's 50,000 hour estimated life cycle will last a startling 8 years. At 8 hours per day, 5 days per week, that's over 24 years of operational use!!

Slash Maintenance Costs

Reliable solid-state technology without additional failure points like Ballasts, Capacitors and Starters mean on-going maintenance costs are massively reduced.

Reduce your CO₂ Output

The very low energy running costs of ecoLED's will help organisations meet their energy efficiency sustainability targets.

Cooler Lighting

ecoLED's run 40°C cooler than T8 fluorescent tubes, greatly reducing the load on Refrigeration and Air Conditioning systems, another energy saving.

No UV, Mercury or Flicker

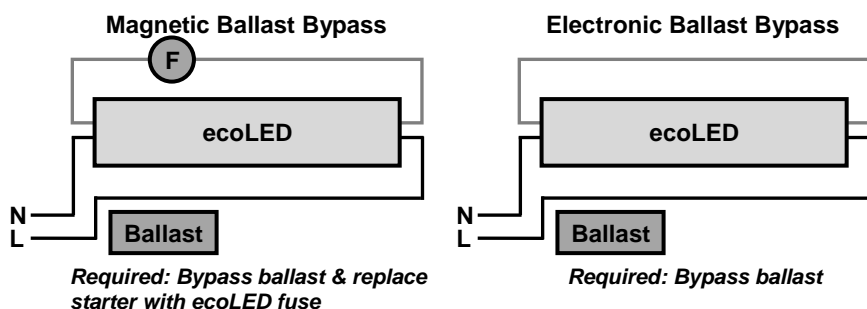
ecoLED tubes do not contain Mercury, have zero UV output, do not flicker and offer reduced material waste due to their much longer life cycle.

Easy Retrofit

A quick and simple retro installation into incumbent battens with magnetic ballasts, means immediate energy saving and CO₂ reduction.

3 Year Warranty

Get peace of mind with a full 3 year manufactures warranty.



ECOPOINT LED TUBES & LIGHTING

ecoLED C Series Tubes

THE FUTURE OF LIGHTING

The only LED tube specifically engineered for the refrigeration industry.

The ecoLED C Series is unique in featuring a 3-row spread of LED's while still meeting safety standard EN 60598.

In combination with lockable rotating end-caps, this enables you to maximise refrigerated product presentation.

It sports a food safe shatter-proof polycarbonate tube, plus is UV and mercury free.

Applications: refrigeration – for long life, low heat and power saving.



C Series Clear Tubes

| Airefrig Part Number | ECC5K600 | ECC5K900 | ECC5K1200 | ECC5K1500 |
|--|------------------|------------------|------------------|------------------|
| List Price Each Excl GST | \$85.68 | \$119.34 | \$131.58 | \$149.94 |
| Specifications | | | | |
| Tube Type / LED direction | Clear / 1 x side | Clear / 1 x side | Clear / 1 x side | Clear / 1 x side |
| Tube Length | 600mm | 900mm | 1200mm | 1500mm |
| Tube Diameter (same as T8 fluoro tube) | 26mm | 26mm | 26mm | 26mm |
| Rotating End Cap | Yes | Yes | Yes | Yes |
| Colour-Temperature (Kelvins) | 5000-6000 | 5000-6000 | 5000-6000 | 5000-6000 |
| Replaces Fluoro Temp | 86 | 86 | 86 | 86 |
| Wattage of Tube | 9 watts | 12 watts | 20 watts | 22 watts |
| Number of LED's | 144 | 216 | 288 | 360 |
| Flux (LM) | 1095 | 1500 | 2416 | 2650 |
| LM/Watt | 118 | 120 | 119 | 120 |
| LUX 1m | 280 | 391 | 546 | 590 |
| Input Current (amps) | 0.053 | 0.066 | 0.083 | 0.10 |
| Power Factor | ≥0.71 - ≥0.83 | ≥0.71 - ≥0.83 | ≥0.71 - ≥0.83 | ≥0.71 - ≥0.83 |
| Colour Index (CRI) | ≥70 | ≥70 | ≥70 | ≥70 |
| Input Voltage | 100 – 240V | 100 – 240V | 100 – 240V | 100 – 240V |
| Hertz | 50 - 60 Hz | 50 - 60 Hz | 50 - 60 Hz | 50 - 60 Hz |
| Life Prediction (hours) | 50,000 | 50,000 | 50,000 | 50,000 |
| Working Temperature (°C) | -25 to +10 | -25 to +10 | -25 to +10 | -25 to +10 |
| Storage Temperature (°C) | -40 to +85 | -40 to +85 | -40 to +85 | -40 to +85 |

ECOPOINT LED TUBES & LIGHTING

ecoLED H Series Tubes

THE FUTURE OF LIGHTING

The H series is the latest flag ship tube for space lighting.

Developed in a sleek 26mm diameter body (visually identical to a fluoro) with improved heat sink, dual lens choice, superior lumens-per-watt output, lockable rotating end caps and proven ecoLED quality.

Applications:

The H series is ideal for general fluorescent tube replacement in offices, retail, commercial and industrial lighting.

Available in frosted and clear:

- Frosted lens tubes are direct replacements for exposed or diffused fluorescent tubes.
- Clear lens tubes offer increased lumen output for installation behind batten or troffer diffusers, avoiding output degradation from double diffusing.



H Series Frosted Tubes

| Airefrig Part Number | EHF5K600 | EHF5K900 | EHF5K1200 | EHF5K1500 |
|--|---------------------|---------------------|---------------------|---------------------|
| List Price Each Excl GST | \$85.68 | \$119.34 | \$131.58 | \$149.94 |
| Specifications | | | | |
| Tube Type / LED direction | Frosted / 1 x sided | Frosted / 1 x sided | Frosted / 1 x sided | Frosted / 1 x sided |
| Tube Length | 600mm | 900mm | 1200mm | 1500mm |
| Tube Diameter (same as T8 fluoro tube) | 26mm | 26mm | 26mm | 26mm |
| Rotating End Cap | Yes | Yes | Yes | Yes |
| Colour-Temperature (Kelvins) | 5000-6000 | 5000-6000 | 5000-6000 | 5000-6000 |
| Replaces Fluoro Temp | 86 | 86 | 86 | 86 |
| Wattage of Tube | 11 watts | 20 watts | 20 watts | 24 watts |
| Number of LED's | 108 | 216 | 216 | 240 |
| Flux (LM) | 1050 | 2000 | 2000 | 2400 |
| LM/Watt | 95 | 100 | 100 | 100 |
| LUX 1m | 380 | 600 | 600 | 650 |
| Input Current (amps) | 0.05 | 0.09 | 0.09 | 0.10 |
| Power Factor | ≥0.95 | ≥0.95 | ≥0.95 | ≥0.95 |
| Colour Index (CRI) | ≥70 | ≥70 | ≥70 | ≥70 |
| Input Voltage | 100 – 240V | 100 – 240V | 100 – 240V | 100 – 240V |
| Hertz | 50 - 60 Hz | 50 - 60 Hz | 50 - 60 Hz | 50 - 60 Hz |
| Life Prediction (hours) | 50,000 | 50,000 | 50,000 | 50,000 |
| Working Temperature (°C) | -20 to +40 | -20 to +40 | -20 to +40 | -20 to +40 |
| Storage Temperature (°C) | -40 to +85 | -40 to +85 | -40 to +85 | -40 to +85 |

H Series PINK Tubes for Meat displays

H Series Pink Tubes for Meat displays

| Airefrig Part Number | EHFPK600 | EHFPK900 | EHFPK1200 | EHFPK1500 |
|--------------------------|----------|----------|-----------|-----------|
| List Price Each Excl GST | \$108.00 | \$147.00 | \$168.00 | \$192.00 |

ECOPOINT LED TUBES & LIGHTING

ecoLED D Series Tubes

THE FUTURE OF LIGHTING

Building on ground breaking ecoPoint innovations is the proprietary ecoLED double-sided tube.

This effectively creates a 360-degree light source in the otherwise omni-directional LED tube market.

Applications:

This is the power saving solution for display fridge centre lights, commercial signage and reflected light fittings in general lighting and also refrigeration.

Available in frosted and clear: (or a combination of both on opposing sides)

- Frosted lens tubes are direct replacements for exposed or diffused fluorescent tubes.
- Clear lens tubes offer increased lumen output for installation behind batten or troffer diffusers, avoiding output degradation from double diffusing.



D Series Clear Tubes

| Airefrig Part Number | EDC5K600 | EDC5K900 | EDC5K1200 | EDC5K1500 |
|--|-------------------|-------------------|-------------------|-------------------|
| List Price Each Excl GST | \$116.28 | \$149.94 | \$154.53 | \$163.71 |
| Specifications | | | | |
| Tube Type / LED direction | Clear / 2 x sided | Clear / 2 x sided | Clear / 2 x sided | Clear / 2 x sided |
| Tube Length | 600mm | 900mm | 1200mm | 1500mm |
| Tube Diameter (same as T8 fluoro tube) | 26mm | 26mm | 26mm | 26mm |
| Rotating End Cap | Yes | Yes | Yes | Yes |
| Colour-Temperature (Kelvins) | 5000-6000 | 5000-6000 | 5000-6000 | 5000-6000 |
| Replaces Fluoro Temp | 86 | 86 | 86 | 86 |
| Wattage of Tube | 15 watts | 20 watts | 20 watts | 24 watts |
| Number of LED's | 144 | 216 | 216 | 240 |
| Flux (LM) | 1450 | 2000 | 2000 | 2400 |
| LM/Watt | 97 | 100 | 100 | 100 |
| LUX 1m | 280 | 310 | 310 | 340 |
| Input Current (amps) | 0.08 | 0.08 | 0.08 | 0.10 |
| Power Factor | ≥0.95 | ≥0.95 | ≥0.95 | ≥0.95 |
| Colour Index (CRI) | ≥70 | ≥70 | ≥70 | ≥70 |
| Input Voltage | 100 – 240V | 100 – 240V | 100 – 240V | 100 – 240V |
| Hertz | 50 - 60 Hz | 50 - 60 Hz | 50 - 60 Hz | 50 - 60 Hz |
| Life Prediction (hours) | 50,000 | 50,000 | 50,000 | 50,000 |
| Working Temperature (°C) | -20 to +40 | -20 to +40 | -20 to +40 | -20 to +40 |
| Storage Temperature (°C) | -40 to +85 | -40 to +85 | -40 to +85 | -40 to +85 |

ecoPOINT Tube Spares

| Airefrig Part Number | Description | List Price (excl GST) |
|----------------------|--|-----------------------|
| ECOENDFUSE | Fused End - suit H&D Series LED Tubes (c/w: spring & locator) | |
| ECOENDPOWER | Power End - suit H&D Series LED Tubes (c/w: spring & locator) | |
| ECOPOINTFUSE | Fuse for LED Tubes (to replace fluoro starter - retrofitting to LED) | |

ECOPOINT LED TUBES & LIGHTING

ECOPOINT - HI BAY LIGHTING

Hi Bay Lights

| Airefrig Part Number | EHB5K100W | EHB5K150W |
|----------------------------|---------------------------------|----------------------------------|
| List Price Each (excl GST) | P.O.A. | \$985.32 |
| Specifications | | |
| Wattage of Light | 108 watts | 150 watts |
| Equiv Std High Bay | 350 watts | |
| Dimensions (mm) | 581 x 415D (415) | 475 x 500D (515) |
| Colour-Temperature | 5500 kelvins | 5500 kelvins |
| Number of LED's | 1 | 1 |
| Flux (LM) | 6800 | 10500 |
| LM/Watt | 68 | 70 |
| LUX 1m | 627 average 2639 centre(515) | 1959 average 5383 centre(515) |
| Input Current | 2.85 amps | 4.0 amps |
| Power Factor | ≥95% | ≥95% |
| Colour Index (CRI) | ≥70 | ≥70 |
| Input Voltage | 100 – 265V | 100 – 265V |
| Hertz | 50 - 60 Hz | 50 - 60 Hz |
| Life Prediction | 30,000 hours | 30,000 hours |
| Working Temperature | -44 to +55°C | -44 to +55°C |
| Storage Temperature | -44 to +55°C | -44 to +55°C |
| Warranty | 3 Years | 3 Years |



ECOPOINT - FLOOD LIGHTS

Flood Lights

| Airefrig Part Number | EFL5K70W | EFL5K100W | EFL5K140W |
|----------------------------|----------------------------|----------------------------|-----------------------------|
| List Price Each (excl GST) | P.O.A. | \$928.76 | \$1,080.00 |
| Specifications | | | |
| Wattage of Light | 76 watts | 108 watts | 150 watts |
| Equiv Std High Bay | 250 watts | | 400 watts |
| Dimensions (mm) | 368 x 285 | 600 x 285 | 600 x 285 |
| Colour-Temperature | 5500 kelvins | 5500 kelvins | 5500 kelvins |
| Number of LED's | 1 | 2 | 2 |
| Flux (LM) | 4900 | 7500 | 9800 |
| LM/Watt | 70 | 75 | 70 |
| LUX 1m | 427 average 1708 centre | 900 average 2646 centre | 1200 average 3660 centre |
| Input Current | 2.0 amps | 2.85 amps | 2.0 amps |
| Power Factor | ≥95% | ≥95% | ≥95% |
| Colour Index (CRI) | ≥70 | ≥70 | ≥70 |
| Input Voltage | 100 – 265V | 100 – 265V | 100 – 265V |
| Hertz | 50 - 60 Hz | 50 - 60 Hz | 50 - 60 Hz |
| Life Prediction | 30,000 hours | 30,000 hours | 30,000 hours |
| Working Temperature | -44 to +55°C | -44 to +55°C | -44 to +55°C |
| Storage Temperature | -44 to +55°C | -44 to +55°C | -44 to +55°C |
| Warranty | 3 Years | 3 Years | 3 Years |

