

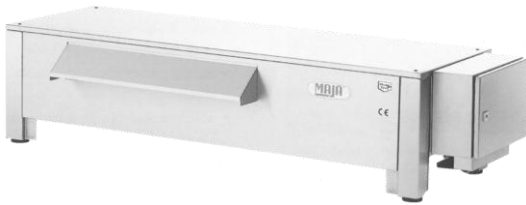
# MAJA FLAKE ICE MAKER HEADS



## MAJA Flake Ice Maker Heads

### MAJA - ice production technology

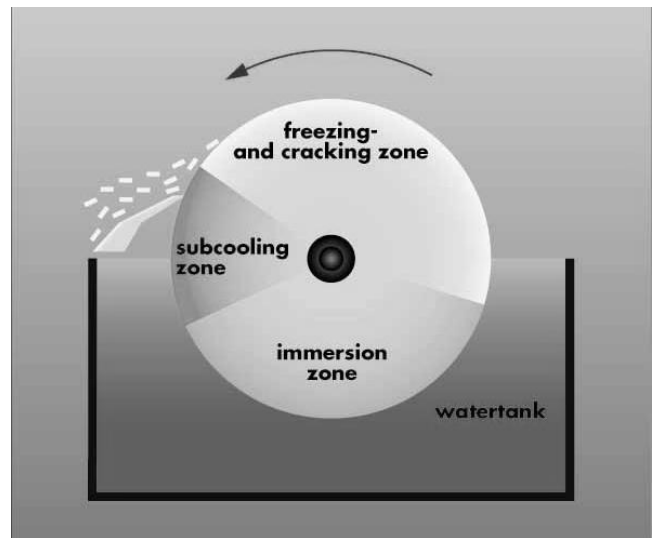
A deep-frozen metal cylinder, rotating in a water reservoir, guarantees constant ice quality. With each rotation, water freezes on the evaporation drum. The residual stress in the ice which builds up during the freezing process causes the dry-frozen ice to automatically flake off from the drum.



The flake ice has a temperature of approximately  $-7^{\circ}\text{C}$ , a thickness of 2 to 3 mm and is dry-frozen. The flake ice keeps its advantageous slow melting properties for long periods when stored in adequate bins.

### Fresh Water Flake Ice Heads

- Space-saving design
- High standard of hygiene
- Automatic restarting of the machine after power failure
- Automatic restarting after interruption of water supply
- Evaporator after-running system
- Programming of start / stop time
- Remote control with 5m cable
- Low maintenance
- Use of electrical components with all common approvals
- Frame construction in stainless steel
- Solid execution, thus high stability of value
- For connection into an existing refrigeration system



### Marine Water Flake Ice Heads

- Suitable for sea-water freezing
- Non-corroding evaporator
- Evaporator side panels in plastic for avoiding corrosion
- Machine housing in non-corroding V4A stainless steel
- Switch box with control panel included
- For connection into an existing refrigeration system
- Compact size
- Water tank slop-over protection for trouble free operation in rough seas

# MAJA FLAKE ICE MAKER HEADS



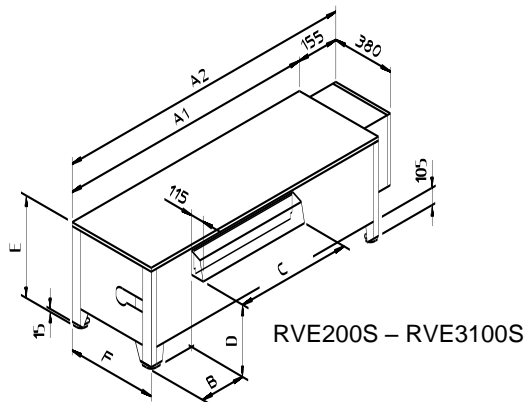
## MAJA Freshwater Flake Ice Maker Heads

### Freshwater - R404a

Airefrig Part Number	Output Kg/Day*	Water Consumption kL / Day	Refrigeration Capacity kW **	Dimension mm							Weight Kg
				A1	A2	B	C	D	E	F	
RVE200S	200	0.20	1.0	745	900	225	210	290	470	512	75
RVE400S	400	0.40	2.0	745	900	225	210	290	470	512	75
RVE700S	750	0.75	3.8	1185	1340	250	370	290	470	512	120
RVE1500S	1500	1.50	8.4	1535	1690	250	720	290	470	512	160
RVE3100S	3000	3.00	16.2	1370	1525	233	720	355	580	600	215
RVE6000S	6000	6.00	33.0	length+box 1450mm / depth 1100mm / height+feet 585mm							305
RVE9000S	9000	9.00	50.0	length+box 1730mm / depth 1148mm / height+feet 1330mm							670
RVE12000S	12000	12.00	66.0	length+box 1730mm / depth 1280mm / height+feet 1360mm							-

\* water supply temperature = +16 °C / ambient temperature = +20 °C; Higher temperatures may lead to reduced ice output.

\*\* evaporating temperature = -20 °C / condensing temperature = +40 °C



### Freshwater - NH3 (Ammonia)

Airefrig Part Number	Output Kg/Day *	Water Consumption kL / Day	Refrigeration Capacity kW **	Weight Kg
RVE6000SNH3D	6000	6.0	36.0	950
RVE12000SNH3D	12000	12.0	71.5	1400

\* water supply temperature = +16 °C / ambient temperature = +20 °C; Higher temperatures may lead to reduced ice output.

\*\* evaporating temperature = -20 °C / condensing temperature = +40 °C

### Freshwater - R404a & NH3 Prices

Airefrig Part Number	Description	List Price Excl GST
RVE200S	Ice Maker Head 200 Kg/Day with On/Off Switch for R404a	P.O.A.
RVE400S	Ice Maker Head 400 Kg/Day with On/Off Switch for R404a	P.O.A.
RVE700S	Ice Maker Head 700 Kg/Day with On/Off Switch for R404a	P.O.A.
RVE1500S	Ice Maker Head 1500 Kg/Day with On/Off Switch for R404a	P.O.A.
RVE3100S	Ice Maker Head 3100 Kg/Day with On/Off Switch for R404a	P.O.A.
RVE6000S	Ice Maker Head 6000 Kg/Day with On/Off Switch for R404a	P.O.A.
RVE9000S	Ice Maker Head 9000 Kg/Day with On/Off Switch for R404a	P.O.A.
RVE12000S	Ice Maker Head 12000 Kg/Day with On/Off Switch for R404a	P.O.A.
RVE6000SNH3D	Ice Maker Head 6000 Kg/Day for Direct Ammonia Operation	P.O.A.
RVE12000SNH3D	Ice Maker Head 12000 Kg/Day for Direct Ammonia Operation	P.O.A.

# MAJA FLAKE ICE MAKER HEADS

# MAJA<sup>®</sup>

## MAJA Marine Flake Ice Maker Heads



MAJA rotating sea-water evaporators have been specially designed for seagoing use in the fishing industry. They are ideal for trouble free operation in the harsh conditions on board fishing trawlers, where the quality of the catch depends very much on the availability of a continuous supply of quality ice.

### Marine - R404a

Airefrig Part Number	Output Kg/Day*	Water Consumption kL / Day	Refrigeration Capacity kW **	Width with control box mm	Height mm	Depth with chute mm	Weight Kg
RVE702S	750	0.75	4.8	1210	640	884	180
RVE1702S	1700	1.70	9.5	1410	640	884	205
RVE3102S	3000	3.00	17.4	1580	640	884	245

\* water supply temperature = +16 °C / ambient temperature = +20 °C; Higher temperatures may lead to reduced ice output.

\*\* evaporating temperature = -33 °C / condensing temperature = +40 °C

### Marine - R404a Prices

Airefrig Part Number	Description	List Price Excl GST
RVE702S	Ice Maker Head 750 Kg/Day for Marine Use (R404a)	P.O.A.
RVE1702S	Ice Maker Head 1700 Kg/Day for Marine Use (R404a)	P.O.A.
RVE3102S	Ice Maker Head 3000 Kg/Day for Marine Use (R404a)	P.O.A.