

COPELAND SCROLL CONDENSING UNITS

R404a – Scroll Condensing Units

Airefrig Part Number	H/P (Nominal)	Ambient Temp °C	Refrigeration Capacity Watts						
			Evaporating Temperature °C						
			-25	-20	-15	-10	-5	0	5
ZXE201	2.0	32	2500	3060	3590	4120	4680	5290	5960
		38	1710	2220	2700	3160	3640	4160	4730
		43	1390	1940	2430	2890	3340	3810	4300
ZXE401	4.0	32	3980	4960	5930	6930	8010	9200	10560
		38	3470	4480	5440	6380	7360	8400	9570
		43	2780	3870	4860	5780	6690	7610	8600
ZXE601	6.0	32	6060	7530	9060	10720	12580	14720	17200
		38	5220	6740	8250	9830	11550	13480	15690
		43	4270	5900	7480	9070	10740	12570	14630
ZXE751	8.0	32	6720	8330	10010	11820	13860	16200	18920
		38	5660	7300	8430	10620	12470	14540	16920
		43	4520	6260	7930	9610	11380	13320	15500

Note: Capacities at 18.3°C return gas and 0°C subcooling.

The ZXE series of outdoor refrigeration Scroll condensing units are specifically designed to cater for a wide range of refrigeration applications covering medium to high evaporating temperatures. They feature low noise levels, advanced electronic protection and numerous accessories fitted as standard items.

Standard Features:

- Copeland Scroll Compressor
- Rotalock Valves
- HP & LP fixed setting switches
- LP adjustable control
- Liquid Line Drier & Sight Glass
- Oil Separator
- Diagnostics Module
- Advanced Electronic Protection
- Liquid Injection Protection
- Phase Rotation, Loss & Imbalance Protection
- Crankcase Heater
- High Ambient Condenser
- Liquid Receiver
- Sickle Blade Condenser Fan(s) - Single Phase
- Condenser Fan Speed Control
- 3 Phase Contactor
- Circuit Breaker/Isolating Switch
- Pre - Wired
- Pre – Charged with POE Oil
- Low Noise Level

Prices

Airefrig Part Number	List Price Excl GST
ZXE200	\$6,450.13
ZXE401	\$7,131.77
ZXE601	\$8,289.75
ZXE751	\$8,896.67



COPELAND SCROLL CONDENSING UNITS

R22 – Scroll Condensing Units

Airefrig Part Number	H/P (Nominal)	Ambient Temp °C	Refrigeration Capacity Watts				
			Evaporating Temperature °C				
			-15	-10	-5	0	5
ZXE201	2.0	32	2650	3330	4010	4750	5610
		38	2380	3110	3810	4550	5370
		43	1930	2740	3480	4230	5060
ZXE401	4.0	32	5460	6730	8130	9620	11160
		38	4720	6010	7420	8930	10480
		43	4090	5370	6780	8270	9800
ZXE601	6.0	32	7710	9630	11710	13940	16300
		38	6420	8420	10570	12850	15260
		43	-	7150	9400	11780	14260
ZXE751	8.0	32	9450	11640	14120	16960	20210
		38	8830	10850	13250	16080	19420
		43	8180	10000	12290	15090	18490

Note: Capacities at 18.3°C return gas and 0°C subcooling.

The ZXE series of outdoor refrigeration Scroll condensing units are specifically designed to cater for a wide range of refrigeration applications covering medium to high evaporating temperatures. They feature low noise levels, advanced electronic protection and numerous accessories fitted as standard items.

Standard Features:

- Copeland Scroll Compressor
- Rotalock Valves
- HP & LP fixed setting switches
- LP adjustable control
- Liquid Line Drier & Sight Glass
- Oil Separator
- Diagnostics Module
- Advanced Electronic Protection
- Liquid Injection Protection
- Phase Rotation, Loss & Imbalance Protection
- Crankcase Heater
- High Ambient Condenser
- Liquid Receiver
- Sickle Blade Condenser Fan(s) - Single Phase
- Condenser Fan Speed Control
- 3 Phase Contactor
- Circuit Breaker/Isolating Switch
- Pre - Wired
- Pre – Charged with POE Oil
- Low Noise Level

Prices

Airefrig Part Number	List Price Excl GST
ZXE200	\$6,450.13
ZXE401	\$7,131.77
ZXE601	\$8,289.75
ZXE751	\$8,896.67

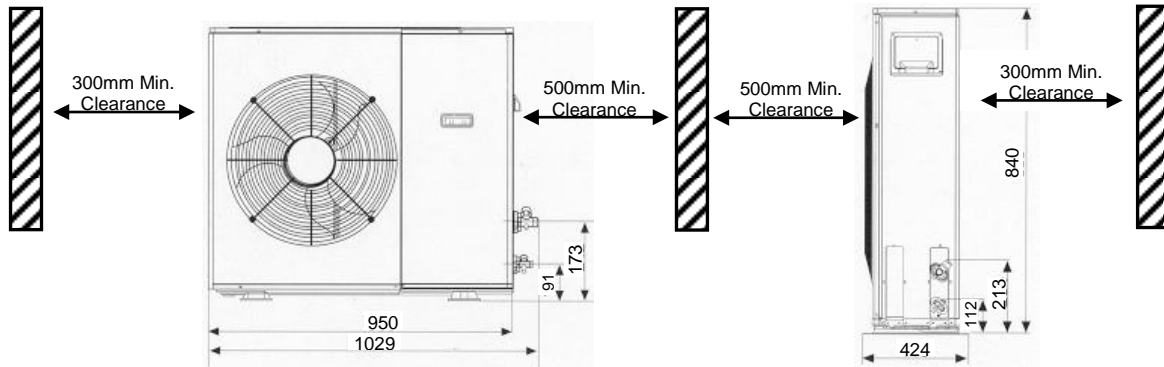


COPELAND SCROLL CONDENSING UNITS

ZXE Series Unit Specifications

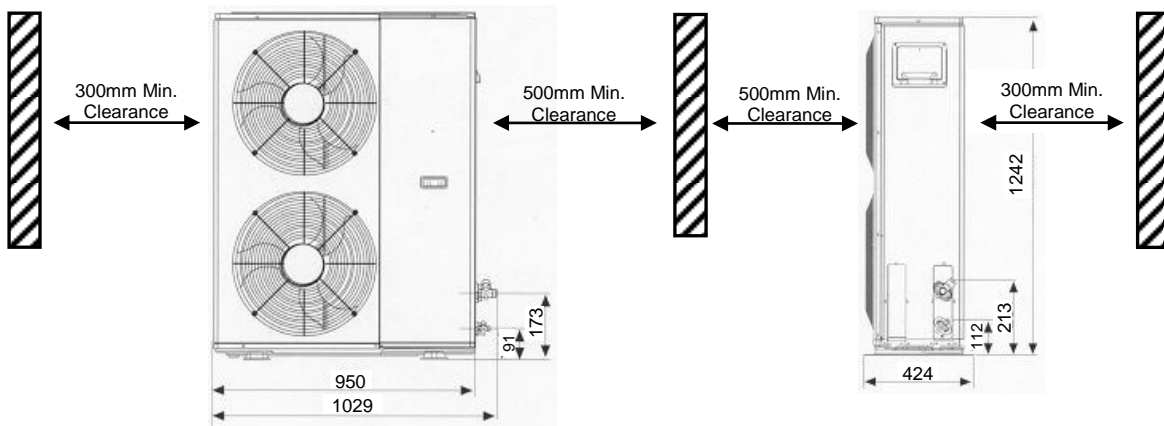
ZXE Series Units

Part Description	Unit Models			
	ZXE200	ZXE401	ZXE601	ZXE751
Nominal Horsepower	2.0HP	4.0HP	6.0HP	8.0HP
Comp. Voltage	380-420/3/50	380-420/3/50	380-420/3/50	380-420/3/50
Comp. Max Run amps	4.3	7.4	11.5	13.2
Comp. Locked Rotor Amps	26.0	49.3	74.0	101.0
Fan Motor Voltage	230/1/50	230/1/50	230/1/50	230/1/50
Fan Motor Total Watts	60	60	120	120
Fan Motor Qty	1	1	2	2
Fan Blade Diameter mm	450	450	450	450
Fan Speed RPM	830	830	830	830
Receiver Cap @ 80% kg	7.6	7.6	7.6	7.6
Oil (use POE 32 for top up)	Mobil EAL Artic 22CC	Mobil EAL Artic 22CC	Mobil EAL Artic 22CC	Mobil EAL Artic 22CC
Oil Charge Litre	1.0	1.85	1.85	1.85
Suction Connection ODF	3/4"	7/8"	7/8"	7/8"
Liquid Connection ODF	1/2"	1/2"	1/2"	1/2"
Weight kg	95	112	121	140



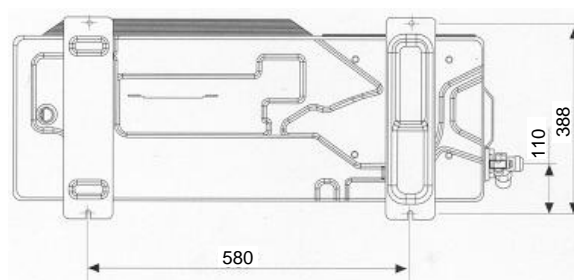
ZXE 201, 301, 401

ZXE 201, 301, 401



ZXE 501, 601, 751

ZXE 501, 601, 751



ZXE 201, 301, 401, 501, 601, 751

COPELAND SCROLL CONDENSING UNITS

ZXE Series Unit Spare Parts

Unit Spare Parts

Part Description	Unit Models					
	ZXE201	ZXE301	ZXE401	ZXE501	ZXE601	ZXE751
Compressor Model	ZX15KCETFD524	ZX21KCETFD524	ZX30KCETFD524	ZX38KCETFD524	ZX45KCETFD524	ZX51KCETFD524
Capillary Tube	028837800	028837801	028837802	028837803	028837805	028837805
Elect Expan. Valve (EXV)	010700700			010700700		
EXV Coil	023006300			023006301		
Fan Motor	050693100 or 050030800			050693100 or 050030800		
Fan Blade	083693100 (4 bladed fan)			083693100 (4 bladed fan)		
Diagnostic Module	043006200 - for units with 1 x control PCB 043012500 - for units with 2 x PCB's (control & power)			043006200 - for units with 1 x control PCB 043012500 - for units with 2 x PCB's (control & power)		
Contactors	012024000			012024000		
Fuse	071057400			071057400		
Connector - Fuse Holder	521021800			521021800		
Capacitor	014006500			014006500		
Sensor in Coil	043008200			043008200		
Sensor Ambient	043007100			043007100		
Sensor Mid Coil	043007200			043007200		
Thermistor - Discharge	043011100			043011100		
Crankcase Heater	018008401	018008401	018008400	018008400		
Receiver	077003300			077003300		
HP Switch – Fixed setting	085705000			085705200		
LP Switch – Fixed setting	085705100			085705300		
Cover Handle	005719300			005719300		
Hand Grip	005719301			005719301		
Holder for Sensor	032059200			032059200		
Oil Separator	077002800			077002800		
Circuit Breaker	071064300			071064301		

Units with Single Control PCB (Earlier model units)

E2 Control Board	**Note: Single board option 543005200 no longer available - use 543010302, 543008000, 043012500 & ZXEPCBKIT					
------------------	---	--	--	--	--	--

Units with 2 x Control PCB's (Later model units)

Main Control Board (large)	543010302			543010302		
Power Board (small)	543008000			543008000		

**Note: The single E2 control board (543005200) can be replaced by using a Main Control Board (543010302) , Power Board (543008000) , Diagnostic PCB Module (043012500) & ZXEPCBKIT.



COPELAND SCROLL CONDENSING UNITS

ZXE Series Unit Spare Parts

Unit Spare Parts

Part Description	Unit Models					
	ZXE200	ZXE300	ZXE400	ZXE500	ZXE600	ZXE750
Compressor Model	ZX15KCETFD524	ZX21KCETFD524	ZX30KCETFD524	ZX38KCETFD524	ZX45KCETFD524	ZX51KCETFD524
Capillary Tube	028843603	028843602	028843600	028848600	02843601	028843604
Elect Expan. Valve (EXV)	010700700			010700700		
EXV Coil	023100100			023100101		
EXV Strainer	013701700			013701700		
Fan Motor	050693100 / 050030800 (plus ZXEKIT required)			050693100 / 050030800 (plus ZXEKIT required)		
Fan Blade	083693100 (4 blade fan now replaces older 3 blade fan)			083693100 (4 blade fan now replaces older 3 blade fan)		
Fan Motor Mount Bracket	074721900			074722300		
Diagnostic Module	043006200 - for units with 1 x control PCB 043012500 - for units with 2 x PCB's (control & power)			043006200 - for units with 1 x control PCB 043012500 - for units with 2 x PCB's (control & power)		
Contactors	012100300			012100300		
Contactors Block	012100400			012100400		
Block Terminal Big	080011100			080011100		
Block Terminal Small	080010700			080010700		
Fuse	071057400			071057400		
Connector - Fuse Holder	521021800			521021800		
Capacitor	014005000			014005000		
Top Cap Thermistor	043007000			043007000		
Sensor in Coil	043008200			043008200		
Sensor Ambient	043007100			043007100		
Sensor Mid Coil	043007200			043007200		
Crankcase Heater	018005700			018005700		
Receiver	077002400			077002400		
HP Switch – Fixed setting	085704400			085704401		
LP Switch – Fixed setting	085704500			085704501		
Cover Top	005717900			005717900		
Cover - Panel Front Right	005718900			005718901		
Cover - Right	005719100			005719101		
Cover - Back	005719000			005719001		
Cover - Left	005719200			005719201		
Fan Shroud	045023000			045023001		
Fan Guard	024024700			024024700		
Cover Handle	005719300			005719300		
Hand Grip	005719301			005719301		
Holder for Sensor	032059200			032059200		
Oil Separator	077002800			077002800		
Circuit Breaker	071701300			071701300		

Units with Single Control PCB (Earlier model units)

E2 Control Board	**Note: Single board option 543005200 no longer available - use 543010302, 543008000, 043012500 & ZXEPCBKIT
------------------	---

Units with 2 x Control PCB's (Later model units)

Main Control Board (large)	543010302	543010302
Power Board (small)	543008000	543008000

**Note: The single E2 control board (543005200) can be replaced by using a Main Control Board (543010302), Power Board (543008000), Diagnostic PCB Module (043012500) & ZXEPCBKIT.