

# DANFOSS OPTYMA SLIM PACK UNITS

## Optyma Slim Pack Condensing Units

### Main Product Features

#### Outdoor Applications

- Weatherproof Housing IP54
- Robust and resistant to corrosion
- Compact design
- Crankcase Heater
- Service Shut Off Valves



#### Micro Channel Condenser Coil

- Easy and fast cleaning
- Less refrigerant charge
- Longer life time
- High Efficiency



#### Externally mounted Service Ports

- Fast and easy installation
- Quick connections of suction & liquid lines
- Shut off valves on receiver
- Service valves with ports for easy servicing



### Standard Features

- Weatherproof Housing IP54
- Suitable for R404a/R507 & R134a Refrigerants
- Dedicated Low or Medium Temperature Units
- Danfoss Hermetic & Scroll Compressors
- Compressor Oil Sight Glass
- Service Shut Off Valves
- Fan Speed controller
- Dual Pressure Control
- Drier & Sight Glass
- Liquid Receiver
- Pre-wired



# DANFOSS OPTYMA SLIM PACK UNITS

## R134a – Medium Temperature Condensing Units

Airefrig Part Number	Compressor Model	Amb Temp °C	Refrigeration Capacity Watts Based on EN13215: 10k Superheat & inherent sub-cooling						Condensing Unit Information
			Evaporating Temperature °C						
			-15	-10	-5	0	+5	+10	
<b>OPMPUE034MLW10G</b> (CSR Single Phase)  Danfoss Unit Code: 114X7163	<b>MLZ015T5</b> <b>Scroll Comp</b> Nom HP: 2.0 230v/1/50Hz MCC: 19.0 A LRA: 60.0 A	32	1720	2170	2700	3320	4020	4810	<b>Unit Housing</b> Type: B2  <b>Receiver Volume</b> 3.4 Litres  <b>Line Connections</b> Liquid Line: 1/2" Suction Line: 3/4"  <b>Fan Motor 1Ø</b> 230v/1/50Hz MCC: 1.1 amps  <b>Fan Blade</b> Diameter: 457 mm  <b>Condenser Coil</b> Airflow: 5100 m <sup>3</sup> /h Int Volume: 0.6 dm <sup>3</sup>  Note: Fan speed control needs to be set for R134a at time of commissioning.
		38	1600	2020	2520	3100	3760	4510	
		43	1500	1900	2360	2910	3540	4260	
		46	-	-	2270	2790	3400	4100	
<b>OPMPUE046MLW10E</b> (Three Phase)  Danfoss Unit Code: 114X7164	<b>MLZ021T4</b> <b>Scroll Comp</b> Nom HP: 3.0 400v/3/50Hz MCC: 9.5 A LRA: 45.0 A	32	2340	2920	3610	4420	5330	6360	
		38	2160	2710	3360	4120	4980	5950	
		43	-	2530	3140	3860	4680	5590	
		46	-	2420	3010	3700	4490	5380	
<b>OPMPUE057MLW10E</b> (Three Phase)  Danfoss Unit Code: 114X7166	<b>MLZ026T4</b> <b>Scroll Comp</b> Nom HP: 3.5 400v/3/50Hz MCC: 10.0 A LRA: 45.0 A	32	2810	3530	4370	5330	6410	7620	
		38	2590	3270	4060	4960	5980	7110	
		43	-	3050	3790	4640	5600	6670	
		46	-	2920	3630	4450	5370	6400	
<b>OPMPUE068MLW10E</b> (Three Phase)  Danfoss Unit Code: 114X7167	<b>MLZ030T4</b> <b>Scroll Comp</b> Nom HP: 4.0 400v/3/50Hz MCC: 13.0 A LRA: 60.0 A	32	3560	4490	5600	6880	8360	10050	
		38	3310	4190	5230	6440	7840	9440	
		43	-	3930	4910	6060	7390	8920	
		46	-	3770	4720	5830	7120	8590	
<b>OPMPUE080MLW10E</b> (Three Phase)  Danfoss Unit Code: 114X7168	<b>MLZ038T4</b> <b>Scroll Comp</b> Nom HP: 5.0 400v/3/50Hz MCC: 15.0 A LRA: 70.0 A	32	4140	5250	6540	8020	9730	11650	
		38	3830	4880	6090	7500	9110	10940	
		43	-	4560	5710	7050	8580	10320	
		46	-	4370	5480	6770	8250	9930	
<b>OPMPUE099MLW10E</b> (Three Phase)  Danfoss Unit Code: 114X7169	<b>MLZ045T4</b> <b>Scroll Comp</b> Nom HP: 6.0 400v/3/50Hz MCC: 15.0 A LRA: 82.0 A	32	5110	6440	8020	9850	11920	14210	
		38	4740	5970	7450	9180	11140	13330	
		43	-	5570	6960	8600	10470	12550	
		46	-	5330	6670	8240	10050	12060	
<b>OPMPUE108MLW10E</b> (Three Phase)  Danfoss Unit Code: 114X7170	<b>MLZ048T4</b> <b>Scroll Comp</b> Nom HP: 7.0 400v/3/50Hz MCC: 16.0 A LRA: 87.0 A	32	5410	6810	8460	10370	12510	14900	
		38	5000	6310	7860	9660	11700	13960	
		43	-	5880	7340	9050	10980	13140	
		46	-	5620	7030	8670	10540	12640	

Note: MCC (Maximum Continuous Current, LRA (Locked Rotor Amps)

# DANFOSS OPTYMA SLIM PACK UNITS

## R404a (R507) – Medium Temperature Condensing Units

Airefrig Part Number	Compressor Model	Amb Temp °C	Refrigeration Capacity Watts Based on EN13215: 10k Superheat & inherent sub-cooling							Condensing Unit Information
			Evaporating Temperature °C							
			-20	-15	-10	-5	0	+5	+10	
<b>OPMPUE034MLW10G</b> (CSR Single Phase)  Danfoss Unit Code: 114X7163	<b>MLZ015T5</b> <b>Scroll Comp</b> Nom HP: 2.0 230v/1/50Hz MCC: 19.0 A LRA: 60.0 A	32	2270	2820	3430	4120	4880	5720	6630	<b>Unit Housing</b> Type: B2  <b>Receiver Volume</b> 3.4 Litres  <b>Line Connections</b> Liquid Line: 1/2" Suction Line: 3/4"  <b>Fan Motor 1Ø</b> 230v/1/50Hz MCC: 1.1 amps  <b>Fan Blade</b> Diameter: 457 mm  <b>Condenser Coil</b> Airflow: 5100 m <sup>3</sup> /h Int Volume: 0.6 dm <sup>3</sup>
		38	1940	2450	3010	3630	4310	5070	5910	
		43	1650	2120	2630	3200	3830	4520	5290	
		46	-	-	2400	2940	3530	4180	4910	
<b>OPMPUE046MLW10E</b> (Three Phase)  Danfoss Unit Code: 114X7164	<b>MLZ021T4</b> <b>Scroll Comp</b> Nom HP: 3.0 400v/3/50Hz MCC: 9.5 A LRA: 45.0 A	32	3140	3810	4570	5410	6360	7400	8550	
		38	2760	3370	4050	4810	5660	6610	7670	
		43	2420	2970	3590	4280	5050	5920	6910	
		46	-	-	3300	3940	4670	5500	6440	
<b>OPMPUE057MLW10E</b> (Three Phase)  Danfoss Unit Code: 114X7166	<b>MLZ026T4</b> <b>Scroll Comp</b> Nom HP: 3.5 400v/3/50Hz MCC: 10.0 A LRA: 45.0 A	32	3670	4450	5330	6310	7400	8590	9880	
		38	3230	3930	4710	5590	6570	7640	8820	
		43	2860	3480	4180	4970	5850	6830	7920	
		46	-	-	3850	4580	5410	6330	7370	
<b>OPMPUE068MLW10E</b> (Three Phase)  Danfoss Unit Code: 114X7167	<b>MLZ030T4</b> <b>Scroll Comp</b> Nom HP: 4.0 400v/3/50Hz MCC: 13.0 A LRA: 60.0 A	32	4980	6130	7450	8970	10680	12600	14740	
		38	4440	5490	6700	8090	9660	11450	13440	
		43	3970	4930	6040	7320	8780	10450	12320	
		46	-	-	5640	6850	8240	9820	11630	
<b>OPMPUE080MLW10E</b> (Three Phase)  Danfoss Unit Code: 114X7168	<b>MLZ038T4</b> <b>Scroll Comp</b> Nom HP: 5.0 400v/3/50Hz MCC: 15.0 A LRA: 70.0 A	32	5920	7240	8750	10460	12390	14520	16880	
		38	5250	6450	7830	9390	11150	13120	15300	
		43	4660	5750	7010	8430	10060	11880	13910	
		46	-	-	6490	7840	9370	11100	13050	
<b>OPMPUE099MLW10E</b> (Three Phase)  Danfoss Unit Code: 114X7169	<b>MLZ045T4</b> <b>Scroll Comp</b> Nom HP: 6.0 400v/3/50Hz MCC: 15.0 A LRA: 82.0 A	32	6960	8490	10240	12210	14400	16830	19490	
		38	6160	7530	9110	10900	12900	15130	17600	
		43	5450	6690	8120	9750	11600	13660	15970	
		46	-	-	7510	9040	10790	12760	14970	
<b>OPMPUE108MLW10E</b> (Three Phase)  Danfoss Unit Code: 114X7170	<b>MLZ048T4</b> <b>Scroll Comp</b> Nom HP: 7.0 400v/3/50Hz MCC: 16.0 A LRA: 87.0 A	32	7530	9170	11020	13090	15410	17990	20870	
		38	6650	8130	9790	11660	13770	16130	18780	
		43	5870	7220	8720	10430	12350	14530	17000	
		46	-	-	8060	9660	11480	13550	15900	

Note: MCC (Maximum Continuous Current, LRA (Locked Rotor Amps)

# DANFOSS OPTYMA SLIM PACK UNITS

## R404a (R507) – Low Temperature Condensing Units

Airefrig Part Number	Compressor Model	Amb Temp °C	Refrigeration Capacity Watts Based on EN13215: 10k Superheat & inherent sub-cooling							Condensing Unit Information
			Evaporating Temperature °C							
			-40	-35	-30	-25	-20	-15	-10	
<b>OPLPHE048NTW10G</b> (CSR Single Phase)  Danfoss Unit Code: 114X7171	<b>NTZ048-5</b> <b>Recip Comp</b> Nom HP: 1.5 230v/1/50Hz MCC: 11.0 A LRA: 37.0 A	32	670	1060	1400	1860	2390	2990	3660	<b>Unit Housing</b> Type: B2  <b>Receiver Volume</b> 3.4 Litres  <b>Line Connections</b> Liquid Line: 1/2" Suction Line: 5/8"  <b>Fan Motor 1Ø</b> 230v/1/50Hz MCC: 1.1 amps  <b>Fan Blade</b> Diameter: 457 mm  <b>Condenser Coil</b> Airflow: 5100 m <sup>3</sup> /h Int Volume: 0.6 dm <sup>3</sup>
		38	530	830	1180	1590	2060	2590	3180	
		43	430	690	1010	1370	1790	2260	2790	
		46	-	610	900	1240	1630	2070	2560	
<b>OPLPHE068NTW10G</b> (CSR Single Phase)  Danfoss Unit Code: 114X7173	<b>NTZ068-5</b> <b>Recip Comp</b> Nom HP: 2.0 230v/1/50Hz MCC: 17.0 A LRA: 53.0 A	32	1180	1640	2180	2800	3490	4270	5110	<b>Unit Housing</b> Type: B3  <b>Receiver Volume</b> 6.2 Litres  <b>Line Connections</b> Liquid Line: 1/2" Suction Line: 3/4"  <b>Fan Motor 1Ø</b> 230v/1/50Hz MCC: 3.0 amps  <b>Fan Blade</b> Diameter: 600 mm  <b>Condenser Coil</b> Airflow: 8700 m <sup>3</sup> /h Int Volume: 1.8 dm <sup>3</sup>
		38	970	1380	1860	2410	3030	3720	4470	
		43	810	1180	1610	2100	2660	3280	3960	
		46	-	1070	1470	1930	2440	3020	3650	
<b>OPLPHE067LLW10E</b> (Three Phase)  Danfoss Unit Code: 114X7175	<b>LLZ013</b> <b>Scroll Comp</b> Nom HP: 3.5 400v/3/50Hz MCC: 12.0 A LRA: 62.0 A	32	2050	2650	3340	4160	5100	6190	7430	<b>Unit Housing</b> Type: B3  <b>Receiver Volume</b> 6.2 Litres  <b>Line Connections</b> Liquid Line: 1/2" Suction Line: 3/4"  <b>Fan Motor 1Ø</b> 230v/1/50Hz MCC: 3.0 amps  <b>Fan Blade</b> Diameter: 600 mm  <b>Condenser Coil</b> Airflow: 8700 m <sup>3</sup> /h Int Volume: 1.8 dm <sup>3</sup>
		38	1820	2370	3000	3740	4600	5590	6720	
		43	1620	2120	2700	3380	4160	5070	6100	
		46	1490	1970	2520	3160	3890	4740	5720	
<b>OPLPHE084LLW10E</b> (Three Phase)  Danfoss Unit Code: 114X7176	<b>LLZ015</b> <b>Scroll Comp</b> Nom HP: 4.0 400v/3/50Hz MCC: 15.0 A LRA: 88.5 A	32	2480	3180	4010	4990	6150	7480	9000	<b>Unit Housing</b> Type: B3  <b>Receiver Volume</b> 6.2 Litres  <b>Line Connections</b> Liquid Line: 1/2" Suction Line: 3/4"  <b>Fan Motor 1Ø</b> 230v/1/50Hz MCC: 3.0 amps  <b>Fan Blade</b> Diameter: 600 mm  <b>Condenser Coil</b> Airflow: 8700 m <sup>3</sup> /h Int Volume: 1.8 dm <sup>3</sup>
		38	2220	2840	3590	4480	5520	6720	8090	
		43	1980	2550	3230	4030	4970	6050	7300	
		46	1840	2370	3010	3760	4630	5640	6810	
<b>OPLPHE098LLW10E</b> (Three Phase)  Danfoss Unit Code: 114X7177	<b>LLZ018</b> <b>Scroll Comp</b> Nom HP: 6.0 400v/3/50Hz MCC: 14.4 A LRA: 90.0 A	32	2900	3700	4660	5790	7120	8630	10360	<b>Unit Housing</b> Type: B3  <b>Receiver Volume</b> 6.2 Litres  <b>Line Connections</b> Liquid Line: 1/2" Suction Line: 3/4"  <b>Fan Motor 1Ø</b> 230v/1/50Hz MCC: 3.0 amps  <b>Fan Blade</b> Diameter: 600 mm  <b>Condenser Coil</b> Airflow: 8700 m <sup>3</sup> /h Int Volume: 1.8 dm <sup>3</sup>
		38	2580	3310	4170	5190	6370	7730	9280	
		43	2310	2970	3750	4660	5730	6960	8360	
		46	2130	2750	3480	4340	5330	6480	7790	

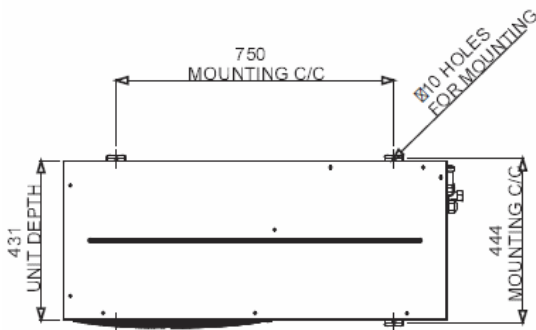
Note: MCC (Maximum Continuous Current, LRA (Locked Rotor Amps)



# DANFOSS OPTYMA SLIM PACK UNITS

## Condensing Unit Dimensions & Weight

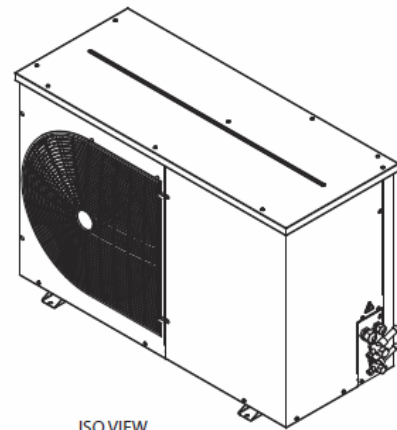
Unit Model	Unit Housing Type	Unit Dimensional Information				Unit Dimensional Shipping Information				
		Height (mm)	Width (mm)	Depth (mm)	Weight (kg)	Height (mm)	Width (mm)	Depth (mm)	Weight (kg)	
OPMPUE034MLW10G	B2	695	1106	464	67.0	795	1206	564	75.0	
OPMPUE046MLW10E										
OPMPUE057MLW10E										
OPLPHE048NTW10G					62.0					77.0
OPLPHE068NTW10G					64.0					79.0



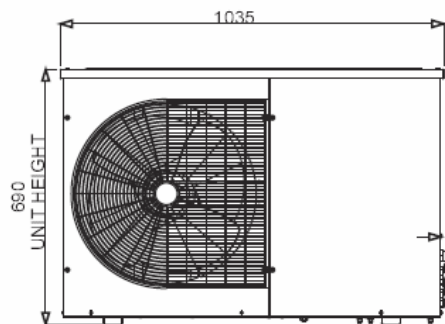
TOP VIEW



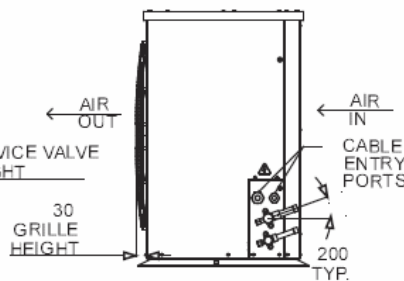
LH VIEW



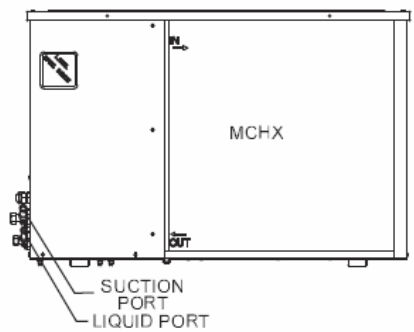
ISO VIEW



FRONT VIEW



RH VIEW

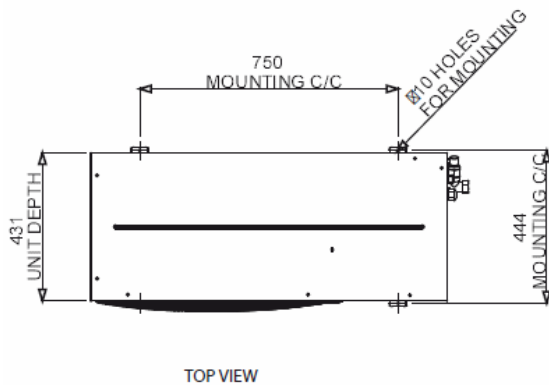


BACK VIEW

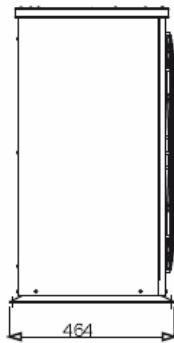
# DANFOSS OPTYMA SLIM PACK UNITS

## Condensing Unit Dimensions & Weight (cont'd)

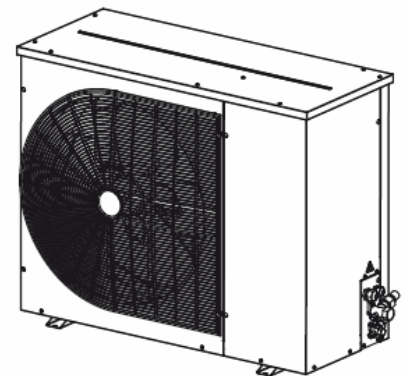
Unit Model	Unit Housing Type	Unit Dimensional Information				Unit Dimensional Shipping Information			
		Height (mm)	Width (mm)	Depth (mm)	Weight (kg)	Height (mm)	Width (mm)	Depth (mm)	Weight (kg)
OPMPUE068MLW10E	B3	830	1106	464	88.0	930	1206	564	97.0
OPMPUE080MLW10E									
OPMPUE099MLW10E									
OPMPUE108MLW10E					76.0				
OPLPHE067LLW10E									
OPLPHE084LLW10E									
OPLPHE098LLW10E									



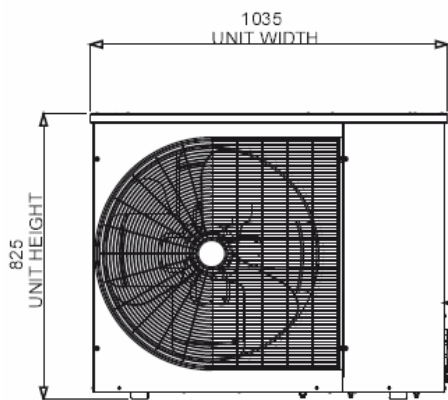
TOP VIEW



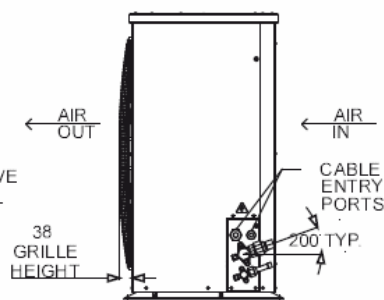
LH VIEW



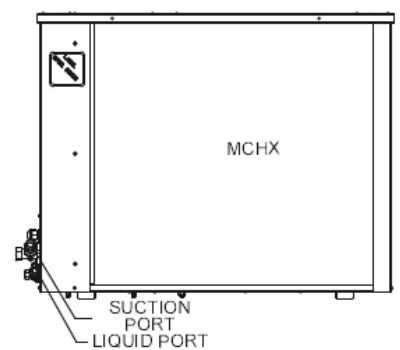
ISO VIEW



FRONT VIEW



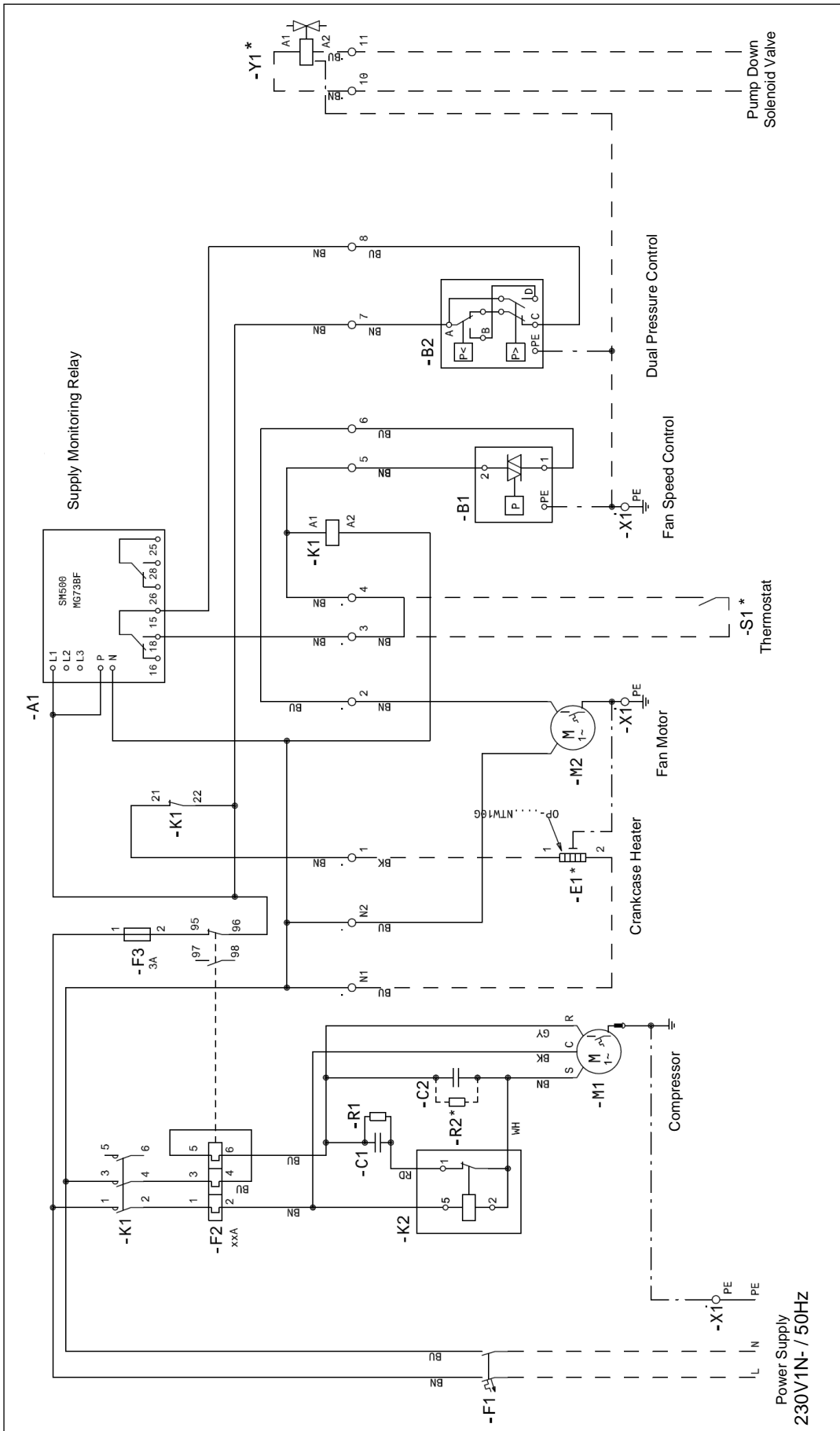
RH VIEW



BACK VIEW

# DANFOSS OPTYMA SLIM PACK UNITS

## Unit Wiring Diagrams



### Legend

BK	black
BU	blue
BN	brown
GY	grey
RD	red
WH	white

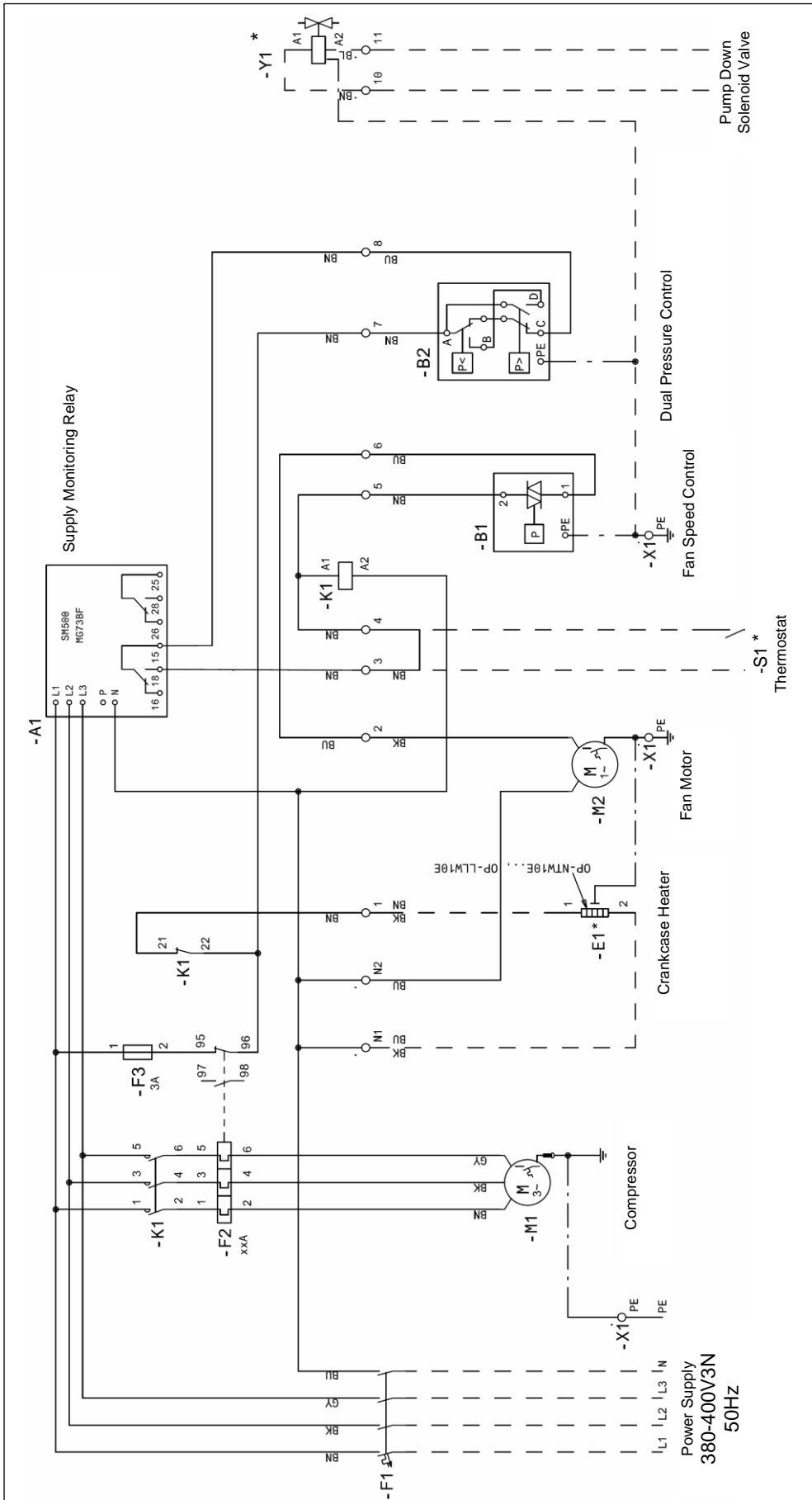
Overload Relay Setting (F2)		
Condensing Unit Model	Relay Range	Setting
OPMPUE034MLW10G	16 - 24 A	19 A
OPLPHE048NTW10G	9 - 13 A	11 A
OPLPHE068NTW10G	16 - 24 A	17 A

- A1 Supply Monitoring Relay
- B1 Fan Speed Controller
- B2 Dual Pressure Control
- C1 Start Capacitor
- C2 Run Capacitor
- E1\* Crankcase Heater
- F1 Supply Monitoring Relay
- F2 Fan Speed Controller
- F3 Dual Pressure Control
- K1 Start Capacitor
- K2 Run Capacitor
- M1 Compressor
- M2 Fan Motor
- R1, R2 Bleed Resistor
- S1\* Thermostat
- X1 Terminals
- Y1\* Solenoid Valve

Note: items with \* are not supplied with the condensing unit

# DANFOSS OPTYMA SLIM PACK UNITS

## Unit Wiring Diagrams (cont'd)



- Legend**
- BK black
  - BU blue
  - BN brown
  - GY grey
- Overload Relay Setting (F2)**
- | Condensing Unit Model | Relay Range | Setting |
|-----------------------|-------------|---------|
| OPMPUE046MLW10E       | 7 - 10 A    | 9.5 A   |
| OPMPUE057MLW10E       | 7 - 10 A    | 10 A    |
| OPMPUE068MLW10E       | 9 - 13 A    | 13 A    |
| OPMPUE080MLW10E       | 12 - 18 A   | 15 A    |
| OPMPUE099MLW10E       | 12 - 18 A   | 15 A    |
| OPMPUE108MLW10E       | 12 - 18 A   | 16 A    |
| OPLPHE067LLW10E       | 9 - 13 A    | 12 A    |
| OPLPHE084LLW10E       | 12 - 18 A   | 15 A    |
| OPLPHE098LLW10E       | 12 - 18 A   | 15 A    |
- Legend**
- A1 Supply Monitoring Relay
  - B1 Fan Speed Controller
  - B2 Dual Pressure Control
  - E1\* Crankcase Heater
  - F1 Main Isolator Switch
  - F2 Overload Relay
  - F3 Fuse (control circuit)
  - K1 Contactor
  - M1 Compressor
  - M2 Compressor
  - M2 Fan Motor
  - S1\* Thermostat
  - X1 Terminals
  - Y1\* Solenoid Valve
- Note: items with \* are not supplied with the condensing unit



# DANFOSS OPTYMA SLIM PACK UNITS

## Optyma Slim Pack Unit Spare Parts

Part Description	Model			
	OPMPUE034MLW10G	OPMPUE046MLW10E	OPMPUE057MLW10E	OPMPUE068MLW10E
Compressor	121L8631 MLZ015T5LP9A (1PH)	121L8006 MLZ021T4LP9 (3PH)	121L8008 MLZ026T4LP9 (3PH)	121L8010 MLZ030T4LC9 (3PH)
Comp Contactor (K1)	118U3867 Schneider - LC1E2501M6 (AC3 25A)	118U3873 Schneider - C60H4P16AC	118U3873 Schneider - C60H4P16AC	118U3896 Schneider-LC1E1801M5 (AC3 18A)
Comp Start Relay (K2)	120Z0393 (RVA9CKL)	n/a	n/a	n/a
Comp Overload (F2)	118U3879 Schneider-LRE22+LAEB2	n/a	n/a	n/a
Comp Start Cap (C1) CSR only	120Z0399 (145-175uF)	n/a	n/a	n/a
Comp Run Cap (C2) CSR only	8173231 (40uF)	n/a	n/a	n/a
Circuit Breaker (F1)	118U3869 Schneider - C60H2P25AC	118U3873 Schneider - C60H4P16AC	118U3873 Schneider - C60H4P16AC	118U3873 Schneider - C60H4P16AC
Seq Phase Relay (A1)	118U3882 Kit SPPR GIC-SM500-MG73BF	118U3882 Kit SPPR GIC-SM500-MG73BF	118U3882 Kit SPPR GIC-SM500-MG73BF	118U3882 Kit SPPR GIC-SM500-MG73BF
Crankcase Heater (E1)	120Z5040 (240V 70W)	120Z5040 (240V 70W)	120Z5040 (240V 70W)	120Z5040 (240V 70W)
Filter Drier	Part No: 023Z5041 Model No: DML084	Part No: 023Z5041 Model No: DML084	Part No: 023Z5041 Model No: DML084	Part No: 023Z5044 Model No: DML164
Sight Glass	Part No: 014F0173 Model No: SGP12 N	Part No: 014F0173 Model No: SGP12 N	Part No: 014F0173 Model No: SGP12 N	Part No: 014F0173 Model No: SGP12 N
Fan Motor +capacitor	118U3765 B2 housing type (high ambient)	118U3765 B2 housing type (high ambient)	118U3765 B2 housing type (high ambient)	118U3767 B3 housing type (high ambient)
Fan Blade	118U3766 (457mm diameter)	118U3766 (457mm diameter)	118U3766 (457mm diameter)	118U3768 (600mm diameter)
Fan Grille/Guard	118U3484 (B2 housing type)	118U3484 (B2 housing type)	118U3484 (B2 housing type)	118U3485 (B3 housing type)
Fan Speed Control	061H3143 (XGE FSC 4CBI I/60)	061H3143 (XGE FSC 4CBI I/60)	061H3143 (XGE FSC 4CBI I/60)	061H3143 (XGE FSC 4CBI I/60)
HP/LP Control	060-539766 (KP17WB)	060-539766 (KP17WB)	060-539766 (KP17WB)	060-539766 (KP17WB)



# DANFOSS OPTYMA SLIM PACK UNITS

## Optyma Slim Pack Unit Spare Parts (cont'd)

Part Description	Model			
	OPMPUE080MLW10E	OPMPUE099MLW10E	OPMPUE108MLW10E	OPLPHE048NTW10G
Compressor	121L8012 MLZ038T4LC9 (3PH)	121L8014 MLZ045T4LC9 (3PH)	121L8016 MLZ048T4LC9 (3PH)	120F0228 NTZ048-5LR1-SINGLE (1PH)
Comp Contactor (K1)	118U3896 Schneider-LC1E1801M5 (AC3 18A)	118U3896 Schneider-LC1E1801M5 (AC3 18A)	118U3896 Schneider-LC1E1801M5 (AC3 18A)	118U3894 Schneider-LC1E1201M5 (AC3 12A)
Comp Start Relay (K2)	n/a	n/a	n/a	8173022 (RVA6AMKL)
Comp Overload (F2)	n/a	n/a	n/a	118U3877 Schneider-LRE16+LAEB2
Comp Start Cap (C1) CSR only	n/a	n/a	n/a	8173001 (100uF 330V+R)
Comp Run Cap (C2) CSR only	n/a	n/a	n/a	7701026 (PSC 10+20uF)
Circuit Breaker (F1)	118U3874 Schneider - C60H4P20AC	118U3874 Schneider - C60H4P20AC	118U3874 Schneider - C60H4P20AC	118U3869 Schneider - C60H2P25AC
Seq Phase Relay (A1)	118U3882 Kit SPPR GIC-SM500-MG73BF	118U3882 Kit SPPR GIC-SM500-MG73BF	118U3882 Kit SPPR GIC-SM500-MG73BF	118U3882 Kit SPPR GIC-SM500-MG73BF
Crankcase Heater (E1)	120Z5040 (240V 70W)	120Z5040 (240V 70W)	120Z5040 (240V 70W)	120Z0459 (PTC)
Filter Drier	Part No: 023Z5044 Model No: DML164	Part No: 023Z5044 Model No: DML164	Part No: 023Z5044 Model No: DML164	Part No: 023Z5041 Model No: DML084
Sight Glass	Part No: 014F0173 Model No: SGP12 N	Part No: 014F0173 Model No: SGP12 N	Part No: 014F0173 Model No: SGP12 N	Part No: 014F0173 Model No: SGP12 N
Fan Motor +capacitor	118U3767 B3 housing type (high ambient)	118U3767 B3 housing type (high ambient)	118U3767 B3 housing type (high ambient)	118U3765 B2 housing type (high ambient)
Fan Blade	118U3768 (600mm diameter)	118U3768 (600mm diameter)	118U3768 (600mm diameter)	118U3766 (457mm diameter)
Fan Grille/Guard	118U3485 (B3 housing type)	118U3485 (B3 housing type)	118U3485 (B3 housing type)	118U3484 (B2 housing type)
Fan Speed Control	061H3143 (XGE FSC 4CBI I/60)	061H3143 (XGE FSC 4CBI I/60)	061H3143 (XGE FSC 4CBI I/60)	061H3142 (XGE FSC 4CB)
HP/LP Control	060-539766 (KP17WB)	060-539766 (KP17WB)	060-539766 (KP17WB)	060-539766 (KP17WB)



# DANFOSS OPTYMA SLIM PACK UNITS

## Optyma Slim Pack Unit Spare Parts (cont'd)

Part Description	Model			
	OPLPHE068NTW10G	OPLPHE067LLW10E	OPLPHE084LLW10E	OPLPHE098LLW10E
Compressor	120F0088 NTZ068-5LR1A-SINGLE (1PH)	121L9517 LLZ013T4LQ9 (3PH)	121L9513 LLZ015T4LQ9 (3PH)	121L9509 LLZ018T4LQ9 (3PH)
Comp Contactor (K1)	118U3867 Schneider - LC1E2501M6 (AC3 25A)	118U3896 Schneider-LC1E1801M5 (AC3 18A)	118U3896 Schneider-LC1E1801M5 (AC3 18A)	118U3896 Schneider-LC1E1801M5 (AC3 18A)
Comp Start Relay (K2)	8173022 (RVA6AMKL)	n/a	n/a	n/a
Comp Overload (F2)	118U3879 Schneider-LRE22+LAEB2	n/a	n/a	n/a
Comp Start Cap (C1) CSR only	8173001 (100uF 330V+R)	n/a	n/a	n/a
Comp Run Cap (C2) CSR only	7701026 (PSC 10+20uF)	n/a	n/a	n/a
Circuit Breaker (F1)	118U3869 Schneider - C60H2P25AC	118U3873 Schneider - C60H4P16AC	118U3874 Schneider - C60H4P20AC	118U3874 Schneider - C60H4P20AC
Seq Phase Relay (A1)	118U3882 Kit SPPR GIC-SM500-MG73BF	118U3882 Kit SPPR GIC-SM500-MG73BF	118U3882 Kit SPPR GIC-SM500-MG73BF	118U3882 Kit SPPR GIC-SM500-MG73BF
Crankcase Heater (E1)	120Z0459 (PTC)	120Z5040 (240V 70W)	120Z5040 (240V 70W)	120Z5040 (240V 70W)
Filter Drier	Part No: 023Z5041 Model No: DML084	Part No: 023Z5044 Model No: DML164	Part No: 023Z5044 Model No: DML164	Part No: 023Z5044 Model No: DML164
Sight Glass	Part No: 014F0173 Model No: SGP12 N	Part No: 014F0173 Model No: SGP12 N	Part No: 014F0173 Model No: SGP12 N	Part No: 014F0173 Model No: SGP12 N
Fan Motor +capacitor	118U3765 B2 housing type (high ambient)	118U3767 B3 housing type (high ambient)	118U3767 B3 housing type (high ambient)	118U3767 B3 housing type (high ambient)
Fan Blade	118U3766 (457mm diameter)	118U3768 (600mm diameter)	118U3768 (600mm diameter)	118U3768 (600mm diameter)
Fan Grille/Guard	118U3484 (B2 housing type)	118U3485 (B3 housing type)	118U3485 (B3 housing type)	118U3485 (B3 housing type)
Fan Speed Control	061H3142 (XGE FSC 4CB)	061H3142 (XGE FSC 4CB)	061H3142 (XGE FSC 4CB)	061H3142 (XGE FSC 4CB)
HP/LP Control	060-539766 (KP17WB)	060-539766 (KP17WB)	060-539766 (KP17WB)	060-539766 (KP17WB)

