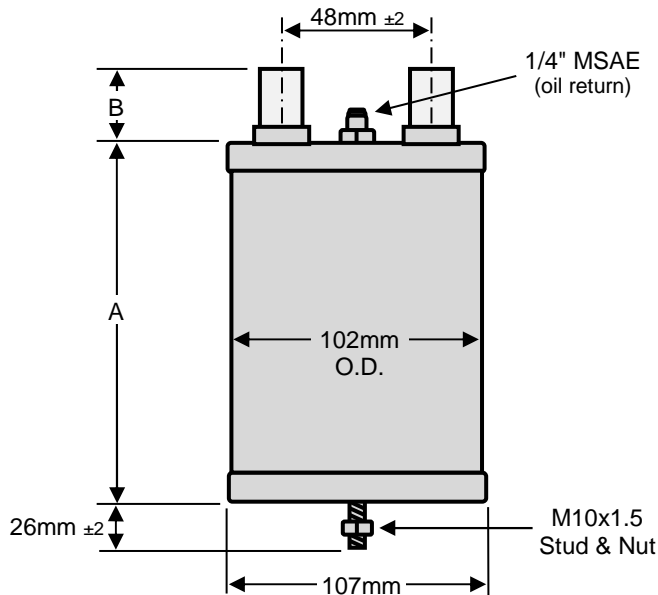


OIL SEPARATORS - ENTHALPY

Enthalpy Oil Separators - Internal Float

Airefrig Part Number	Connections (Copper Tails)	Nominal Capacity (kW) @ Evaporating Temp (+40°C Cond / 7kpa Press Drop)										List Price Excl GST
		R404A					R134A					
		-30°C	-20°C	-10°C	0°C	+5°C	-10°C	-5°C	0°C	+5°C	+10°C	
EOS1004S	1/2" ODS	6.6	7.0	7.2	7.6	7.8	4.5	4.6	4.8	4.9	5.0	\$ 240.68
EOS1004	1/2" ODS	6.6	7.0	7.2	7.6	7.8	4.5	4.6	4.8	4.9	5.0	\$ 240.79
EOS1004L	1/2" ODS	6.6	7.0	7.2	7.6	7.8	4.5	4.6	4.8	4.9	5.0	\$ 241.16
EOS1005	5/8" ODS	17.6	18.8	19.4	20.4	20.9	12.2	12.5	12.8	13.1	13.3	\$ 241.16
EOS1007	7/8" ODS	26.5	28.2	29.1	30.7	30.9	18.3	18.7	19.2	19.6	20.0	\$ 271.44
EOS1009	1 1/8" ODS	39.7	42.3	43.7	46.0	47.1	27.5	28.1	28.7	29.4	30.1	\$ 301.44
EOS1011	1 3/8" ODS	48.6	51.7	53.4	56.2	57.6	33.6	34.4	35.2	36.0	36.8	\$ 324.87

Airefrig Part Number	Connections (Copper Tails)	Dimensions (mm)			Oil Pre-Charge	Safe Working Pressure	Compatible Refrigerants	Body Colour	Manufacturing Standards
		A ±2	B ±2	A+B					
EOS1004S	1/2" ODS	159	33	192	480mls <i>Important:</i> Oil charge must be added to the separator prior to fitting	4.2 MPa (609 psi)	R22 R134A R407C R404A R507 R410A	Black Powder Coat	Manufactured in accordance with AS2971.2
EOS1004	1/2" ODS	245	33	278					
EOS1004L	1/2" ODS	306	33	339					
EOS1005	5/8" ODS	300	38	338					
EOS1007	7/8" ODS	375	40	415					
EOS1009	1 1/8" ODS	370	45	415					
EOS1011	1 3/8" ODS	475	49	524		3.2 MPa (464 psi)	R22 R134A R407C R404A R507		



Accessory - Mounting Bracket

Airefrig Part Number	Description	List Price Excl GST
866000	Mounting bracket for condensing unit bases - suit pressure vessels	\$ 24.48

