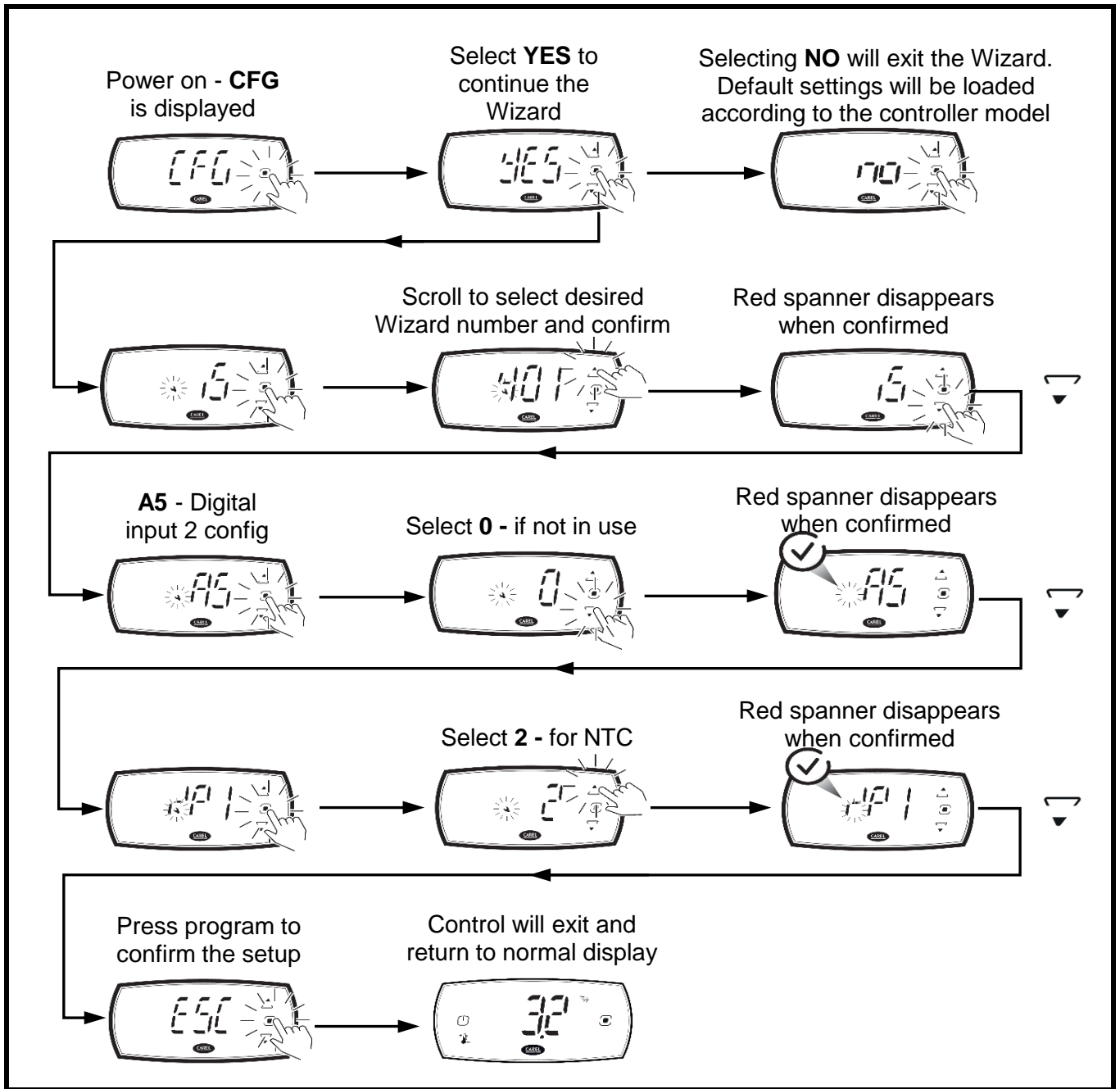


Keypad Wizard Guide



Notes: Important ** Please note to change /P1 selection to 2 if using standard Carel NTC probes

Parameters

iS	Wizard configuration selection (refer to selection on back)
A5	0 = Not configured; 1 = NO external alarm; 2 = NC external alarm; 3 = NO door switch; 4 = NC door switch; 5 = NO remote on/off; 6 = NC remote on/off
/P1	0 = PT1000; 1 = PTC; 2 = NTC; 3 = NTC-LT; 4 = NTC-HT



iJWizard configuration selections



Wizard Codes		Digital Outputs								Analog + Digital inputs					
2 Relay Model		Compressor	Defrost	Fan	Alarm	Light	Heater			S1	S2	DI1	DI2		
2B02	201	NO1								Sm					
	202						NO1			Sm					
Default	203	NO1		NO2						Sm					
	204	NO1	NO2							Sm	Sd				
	205	NO1			NO2					Sm					
	206	NO1				NO2				Sm					
	207	NO1					NO2			Sm					
	208			NO2			NO1			Sm					
	209				NO2		NO1			Sm					
4 Relay Model		Compressor	Defrost	Fan	Alarm	Light	Heater			S1	S2	DI1	DI2		
4B02	403	NO1		NO3						Sm					
4R02	404	NO1	NO2							Sm	Sd				
	405	NO1			NO4					Sm					
	406	NO1				NO4				Sm					
	407	NO1					NO2			Sm					
	408			NO3			NO2			Sm					
	409				NO4		NO2			Sm					
Not for this model	411														
Default	416	NO1	NO2	NO3						Sm	Sd				
	417	NO1		NO3	NO4					Sm					
	418	NO1		NO3		NO4				Sm					
	419	NO1		NO3						Sm					
	420	NO1	NO2	NO3		NO4				Sm	Sd				
	421	NO1	NO2	NO3	NO4					Sm	Sd				
	422	NO1		NO2	NO4	NO3				Sm					
	423	NO1		NO3	NO4					Sm					
Not for this model	424														
Not for this model	425														
Not for this model	426														
	430	NO1	NO2	NO3		NO4				Sm	Sd	Sr			
Not for this model	431														
6 Relay Model		Compressor	Defrost	Fan	Alarm	Light	Heater	Humidify	Cond Fan	Comp 2	S1	S2	DI1	DI2	S5
6B07	601	NO5	NO6	NO1							Sm	Sd			
	602	NO5		NO1	NO4						Sm				
	603	NO5		NO1		NO3					Sm				
Default	606	NO5		NO1	NO4	NO3					Sm	Sd			
	607	NO5		NO1	NO4	NO3					Sm				
	608	NO5		NO1	NO4		NO6				Sm				
	609	NO5	NO6	NO1		NO3			NO2		Sm	Sd	Sc		
	610	NO5	NO1	NO2	NO4	NO3				NO6	Sm	Sd			
	611	NO5	NO6	NO1	NO4	NO3			NO2		Sm	Sd	Sc		
	612	NO5		NO1				NO2			Sm				Shu
	613	NO5		NO1			NO6	NO2			Sm				Shu
	614	NO5		NO1	NO4			NO2			Sm				Shu
	615	NO5	NO6	NO1	NO4	NO3		NO2			Sm	Sd			Shu
	619	NO5	NO6	NO1	NO4	NO3					Sm	Sd	Sr		
	620			NO1	NO4	NO3	NO6				Sm				

Sm	Air off Temperature
Sd	Defrost temperature
Sr	Air on temperature
Sc	Condenser Temperature
Shu	Humidity Rh%