

EB Series Evaporators

The **Karyer EB** series evaporators are specially designed for a wide variety of commercial refrigeration applications such as coolrooms, freezer rooms, walk-in medium temperature rooms and low temperature display freezers etc.

The EB series evaporators have a professional and fresh white case finish that will compliment any installation project in the Australian marketplace.

These evaporators are designed with optimum tube diameters that ensure the smallest refrigerant charges coupled with maximum increased efficiency and excellent oil return.

The fin spacings offered have been selected to ensure a finely tuned balance that will provide trouble free operation with the most efficient cooling effect for correctly engineered applications.

- Medium Temperature: 4.2mm fin spacing
- Low Temperature: 7.0mm fin spacing

The single-phase AC evaporator fan assemblies are **ebm** who are renowned worldwide for quality and reliability. These fan motors have been selected in 300mm & 350mm diameters specifically to match what has been considered standard sizing and most commonly used for many years in the Australian market.

The EB series features:

- Premium “EVD” models factory fitted EVD-ice Z valves including Ultra Cap
- Standard models - without valve fitted (EVD-ice or TX valve)
- Evaporator case panels - powder coated white aluminium
- Stainless Steel fittings (screws, nuts & bolts etc)
- Feet flush mounting with minor level adjustment - powder coated white
- Standard coils are designed for multiple refrigerants
- High performance circuitry with Venturi-type distributor technology
- Aluminium fins and high-performance copper tube for excellent heat transfer
- Fin spacings for specific applications (Medium temp: 4.2mm / Low temp: 7.0mm)
- Access doors aluminium powder coated on both ends - hinged and removable
- Reversible drip tray aluminium powder coated - all models
- Quality defrost heaters to ensure efficient defrost - low temp models only
- Two wire defrost safety termination thermostats (5.0amp) - low temp models only
- High quality single phase 300mm & 350mm ebm AC fan motor assemblies
- Fan motors and defrost heaters pre-wired back to electrical connection box(s)



KARYER EB SERIES EVAPORATORS

Medium Temperature Evaporators

Fan Diameter: 300mm

Based on -4°C Saturated Suction Temperature

Fin Spacing: 4.2mm

Model Options	no valve fitted	EBM018A1300	EBM021A1300	EBM026A1300	EBM032A2300	EBM035A2300
	EVD-ICE fitted	EBM018A1300EVD	EBM021A1300EVD	EBM026A1300EVD	EBM032A2300EVD	EBM035A2300EVD
R134A	Watts 6ktd	1698	1998	2448	2940	3252
	Watts 1ktd	283	333	408	490	542
R515B	Watts 6ktd	1662	1956	2394	2874	3180
	Watts 1ktd	277	326	399	479	530
R513A	Watts 6ktd	1656	1956	2400	2874	3186
	Watts 1ktd	276	326	400	479	531
R404A	Watts 6ktd	1842	2172	2664	3192	3540
	Watts 1ktd	307	362	444	532	590
R507	Watts 6ktd	1758	2112	2580	3102	3432
	Watts 1ktd	293	352	430	517	572
R449A	Watts 6ktd	1752	2064	2532	3030	3366
	Watts 1ktd	292	344	422	505	561
R448A	Watts 6ktd	1770	2088	2556	3066	3396
	Watts 1ktd	295	348	426	511	566
Air Flow	(m ³ /hr)	1489	1419	1295	2834	2977
Air Throw	(metres)	7.0	6.7	6.1	7.3	7.7
300mm Fans	(Qty)	1	1	1	2	2
230/1/50Hz AC Fan Motors	Total Watts	60	60	60	120	120
	Total Amps	0.28	0.28	0.28	0.56	0.56
Outlet Connection	(inch)	1/2"	5/8"	3/4"	5/8"	3/4"
Inlet Connection	(inch)	1/2"	1/2"	1/2"	1/2"	1/2"
Tube Volume	(dm ³)	1.2	1.6	2.4	2.1	2.2
Dry Weight	(kg)	12.8	14.2	16.4	19.8	22.0
Dimensions (mm)	Width	832	832	832	1147	1307
	Depth (incl. pipe conns)	520	520	520	520	520
	Height	426	426	426	426	426
Dimension Diagram		D1	D1	D1	D2	D2

KARYER EB SERIES EVAPORATORS

Medium Temperature Evaporators (cont'd)

Fan Diameter: 300mm (cont'd)

Based on -4°C Saturated Suction Temperature

Fin Spacing: 4.2mm

Model Options	no valve fitted	EBM043A2300	EBM051A2300	EBM058A3300	EBM065A3300	EBM072A3300
	EVD-ICE fitted	EBM043A2300EVD	EBM051A2300EVD	EBM058A3300EVD	EBM065A3300EVD	EBM072A3300EVD
R134A	Watts 6ktd	4008	4758	5394	6060	6630
	Watts 1ktd	668	763	899	1010	1105
R515B	Watts 6ktd	3918	4476	5274	5928	6486
	Watts 1ktd	653	746	879	988	1081
R513A	Watts 6ktd	3918	4656	5274	5928	6486
	Watts 1ktd	653	776	879	988	1081
R404A	Watts 6ktd	4356	5172	5862	6588	7206
	Watts 1ktd	726	862	977	1098	1201
R507	Watts 6ktd	4230	5016	5688	6390	6990
	Watts 1ktd	705	836	948	1065	1165
R449A	Watts 6ktd	4140	4914	5568	6258	6846
	Watts 1ktd	690	819	928	1043	1141
R448A	Watts 6ktd	4182	4968	5628	6324	6918
	Watts 1ktd	697	828	938	1054	1153
Air Flow	(m ³ /hr)	2837	2590	3992	4256	3606
Air Throw	(metres)	7.4	6.7	7.2	7.7	6.5
300mm Fans	(Qty)	2	2	3	3	3
230/1/50Hz AC Fan Motors	Total Watts	120	120	190	190	190
	Total Amps	0.56	0.56	0.84	0.84	0.84
Outlet Connection	(inch)	7/8"	7/8"	7/8"	1-1/8"	7/8"
Inlet Connection	(inch)	1/2"	1/2"	1/2"	1/2"	5/8"
Tube Volume	(dm ³)	3.3	4.9	4.1	4.9	6.0
Dry Weight	(kg)	24.0	28.0	31.0	49.6	36.0
Dimensions (mm)	Width	1307	1307	1567	1807	1567
	Depth (incl. pipe conns)	520	520	520	520	520
	Height	426	426	426	426	426
Dimension Diagram		D2	D2	D3	D3	D3

KARYER EB SERIES EVAPORATORS

Medium Temperature Evaporators (cont'd)

Fan Diameter: 350mm

Based on -4°C Saturated Suction Temperature

Fin Spacing: 4.2mm

Model Options	no valve fitted	EBM078A2350	EBM099A2350	EBM110A3350
	EVD-ICE fitted	EBM078A2350EVD	EBM099A2350EVD	EBM110A3350EVD
R134A	Watts 6ktd	7170	9132	10158
	Watts 1ktd	1195	1522	1693
R515B	Watts 6ktd	7014	8934	9936
	Watts 1ktd	1169	1489	1656
R513A	Watts 6ktd	7014	8934	9936
	Watts 1ktd	1169	1489	1656
R404A	Watts 6ktd	7794	9924	11040
	Watts 1ktd	1299	1654	1840
R507	Watts 6ktd	7560	9624	10710
	Watts 1ktd	1260	1604	1785
R449A	Watts 6ktd	7404	9426	10488
	Watts 1ktd	1234	1571	1748
R448A	Watts 6ktd	7482	9528	10596
	Watts 1ktd	1247	1588	1766
Air Flow	(m ³ /hr)	5452	5057	8178
Air Throw	(metres)	12.1	11.2	12.6
350mm Fans	(Qty)	2	2	3
230/1/50Hz AC Fan Motors	Total Watts	330	330	500
	Total Amps	1.46	1.46	2.19
Outlet Connection	(inch)	1-1/8"	1-1/8"	1-1/8"
Inlet Connection	(inch)	5/8"	5/8"	5/8"
Tube Volume	(dm ³)	5.2	7.8	7.3
Dry Weight	(kg)	36.0	43.0	51.0
Dimensions (mm)	Width	1507	1507	2107
	Depth (incl. pipe conns)	520	520	520
	Height	553	553	553
Dimension Diagram		D5	D5	D6

KARYER EB SERIES EVAPORATORS

Medium Temperature Evaporators (cont'd)

Fan Diameter: 350mm (cont'd)

Based on -4°C Saturated Suction Temperature

Fin Spacing: 4.2mm

Model Options	no valve fitted	EBM149A3350	EBM154A4350	EBM189A4350
	EVD-ICE fitted	EBM149A3350EVD	EBM154A4350EVD	EBM189A4350EVD
R134A	Watts 6ktd	13764	14244	17436
	Watts 1ktd	2294	2374	2906
R515B	Watts 6ktd	13464	13932	17052
	Watts 1ktd	2244	2322	2842
R513A	Watts 6ktd	13464	13932	17058
	Watts 1ktd	2244	2322	2843
R404A	Watts 6ktd	14958	15480	18954
	Watts 1ktd	2493	2580	3159
R507	Watts 6ktd	14508	15018	18384
	Watts 1ktd	2418	2503	3064
R449A	Watts 6ktd	14208	14706	18006
	Watts 1ktd	2368	2451	3001
R448A	Watts 6ktd	14358	14862	18198
	Watts 1ktd	2393	2477	3033
Air Flow	(m ³ /hr)	7585	10904	10114
Air Throw	(metres)	11.7	13.2	12.2
350mm Fans	(Qty)	3	4	4
230/1/50Hz AC Fan Motors	Total Watts	500	660	660
	Total Amps	2.19	2.92	2.92
Outlet Connection	(inch)	1-3/8"	1-3/8"	1-1/4"
Inlet Connection	(inch)	3/4"	3/4"	1-1/8"
Tube Volume	(dm ³)	11.7	10.4	15.7
Dry Weight	(kg)	61.0	66.0	80.0
Dimensions (mm)	Width	2107	2707	2707
	Depth (incl. pipe conns)	520	520	520
	Height	553	553	553
Dimension Diagram		D6	D7	D7

KARYER EB SERIES EVAPORATORS

Low Temperature Evaporators

Fan Diameter: 300mm

Based on -24°C Saturated Suction Temperature

Fin Spacing: 7.0mm

Model Options	no valve fitted	EBL016E1300	EBL019E2300	EBL034E2300	EBL041E3300	EBL057E3300
	EVD-ICE fitted	EBL016E1300EVD	EBL019E2300EVD	EBL034E2300EVD	EBL041E3300EVD	EBL057E3300EVD
R404A	Watts 6ktd	1602	1956	3402	4170	5754
	Watts 1ktd	267	326	567	695	959
R507	Watts 6ktd	1554	1896	3300	4044	5586
	Watts 1ktd	259	316	550	674	931
R449A	Watts 6ktd	1506	1836	3198	3918	5406
	Watts 1ktd	251	306	533	653	901
R448A	Watts 6ktd	1524	1860	3234	3960	5466
	Watts 1ktd	254	310	539	660	911
Air Flow	(m ³ /hr)	1282	2958	2564	4441	4125
Air Throw	(metres)	6.1	7.7	6.7	8.0	7.5
300mm Fans	(Qty)	1	2	2	3	3
230/1/50Hz AC Fan Motors	Total Watts	60	120	120	190	190
	Total Amps	0.28	0.56	0.56	0.84	0.84
230/1/50Hz Defrost Heaters	Total Watts	1440	1940	2910	4830	4830
	Total Amps	6.26	8.43	12.65	21.0	21.0
Outlet Connection	(inch)	5/8"	5/8"	3/4"	1-1/8"	1-1/8"
Inlet Connection	(inch)	1/2"	1/2"	1/2"	1/2"	5/8"
Tube Volume	(dm ³)	2.1	2.1	4.0	4.9	7.3
Dry Weight	(kg)	17.0	23.0	28.0	38.0	45.0
Dimensions (mm)	Width	747	1167	1167	1827	1827
	Depth (incl. pipe conns)	520	520	520	520	520
	Height	426	426	426	426	426
Dimension Diagram		D1	D2	D2	D3	D3

Note: Defrost safety termination thermostat fitted to low temp evaps are rated @ 5.0 amps – use only in defrost heater control circuit.

KARYER EB SERIES EVAPORATORS

Low Temperature Evaporators (cont'd)

Fan Diameter: 350mm

Based on -24°C Saturated Suction Temperature

Fin Spacing: 7.0mm

Model Options	no valve fitted	EBL024E1350	EBL031E1350	EBL048E2350	EBL065E2350
	EVD-ICE fitted	EBL024E1350EVD	EBL031E1350EVD	EBL048E2350EVD	EBL065E2350EVD
R404A	Watts 6ktd	2412	3144	4860	6576
	Watts 1ktd	402	524	810	1096
R507	Watts 6ktd	2340	3048	4710	6378
	Watts 1ktd	390	508	785	1063
R449A	Watts 6ktd	2268	2958	4566	6180
	Watts 1ktd	378	493	761	1030
R448A	Watts 6ktd	2292	2988	4620	6246
	Watts 1ktd	382	498	770	1041
Air Flow	(m ³ /hr)	2831	2655	5662	5310
Air Throw	(metres)	11.5	10.7	12.6	11.8
350mm Fans	(Qty)	1	1	2	2
230/1/50Hz AC Fan Motors	Total Watts	170	170	330	330
	Total Amps	0.73	0.73	1.46	1.46
230/1/50Hz Defrost Heaters	Total Watts	2720	3400	5200	6500
	Total Amps	11.83	14.78	22.6	28.26
Outlet Connection	(inch)	3/4"	7/8"	1-1/8"	1-1/8"
Inlet Connection	(inch)	1/2"	1/2"	1/2"	5/8"
Tube Volume	(dm ³)	2.6	3.9	5.2	7.8
Dry Weight	(kg)	23.0	27.0	40.0	48.0
Dimensions (mm)	Width	927	927	1527	1527
	Depth (incl. pipe conns)	520	520	520	520
	Height	553	553	553	553
Dimension Diagram		D4	D4	D5	D5

Note: Defrost safety termination thermostat fitted to low temp evaps are rated @ 5.0 amps – use only in defrost heater control circuit.

KARYER EB SERIES EVAPORATORS

Low Temperature Evaporators (cont'd)

Fan Diameter: 350mm (cont'd)

Based on -24°C Saturated Suction Temperature

Fin Spacing: 7.0mm

Model Options	no valve fitted	EBL072E3350	EBL100E3350	EBL126E4350
	EVD-ICE fitted	EBL072E3350EVD	EBL100E3350EVD	EBL126E4350EVD
R404A	Watts 6ktd	7242	10002	12594
	Watts 1ktd	1207	1667	2099
R507	Watts 6ktd	7026	9702	12216
	Watts 1ktd	1171	1617	2036
R449A	Watts 6ktd	6810	9402	11838
	Watts 1ktd	1135	1567	1973
R448A	Watts 6ktd	6882	9504	11964
	Watts 1ktd	1147	1584	1994
Air Flow	(m ³ /hr)	8492	7965	10619
Air Throw	(metres)	13.2	12.4	12.9
350mm Fans	(Qty)	3	3	4
230/1/50Hz AC Fan Motors	Total Watts	500	500	660
	Total Amps	2.19	2.19	2.92
230/1/50Hz Defrost Heaters	Total Watts	7600	9500	12300
	Total Amps	33.0	41.3	53.47
Outlet Connection	(inch)	1-1/8"	1-3/8"	1-3/8"
Inlet Connection	(inch)	5/8"	5/8"	3/4"
Tube Volume	(dm ³)	7.3	11.7	15.7
Dry Weight	(kg)	55.0	68.0	88.0
Dimensions (mm)	Width	2127	2127	2727
	Depth (incl. pipe conns)	520	520	520
	Height	553	553	553
Dimension Diagram		D6	D6	D7

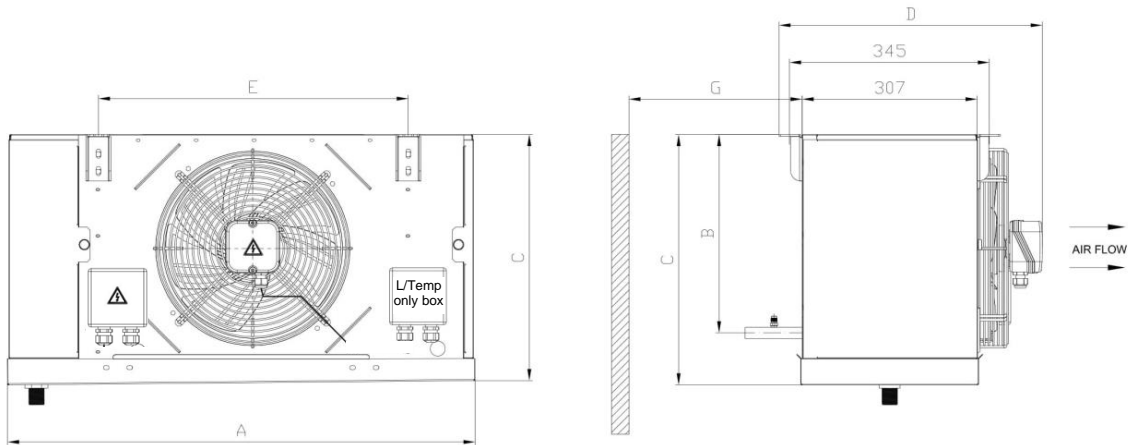
Note: Defrost safety termination thermostat fitted to low temp evaps are rated @ 5.0 amps – use only in defrost heater control circuit.

KARYER EB SERIES EVAPORATORS

Evaporator Dimensions

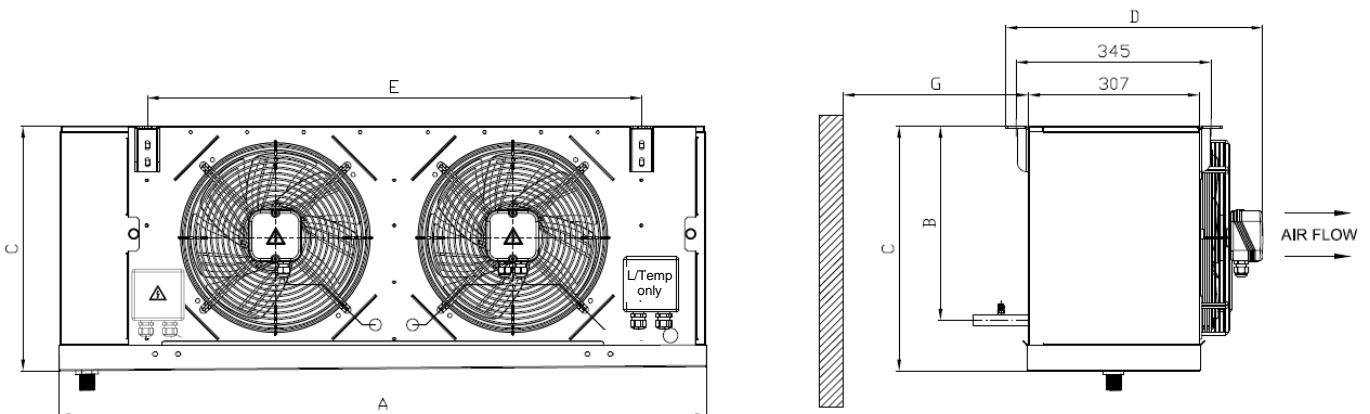
Dimension Diagram: D1

Evaporator Model (1 x 300mm Fan)	A (mm)	B (mm)	C (mm)	D (mm)	E (mm)	G (mm) Minimum Distance	Drain Connection
Medium Temperature							
EBM018A1300 / EVD	832	339	426	458	560	426	G1" Thread (25mm ID Ø)
EBM021A1300 / EVD	832	339	426	458	560	426	G1" Thread (25mm ID Ø)
EBM026A1300 / EVD	832	339	426	458	560	426	G1" Thread (25mm ID Ø)
Low Temperature							
EBL016E1300 / EVD	747	339	426	458	455	426	G1" Thread (25mm ID Ø)



Dimension Diagram: D2

Evaporator Model (2 x 300mm Fans)	A (mm)	B (mm)	C (mm)	D (mm)	E (mm)	G (mm) Minimum Distance	Drain Connection
Medium Temperature							
EBM032A2300 / EVD	1147	339	426	513	875	426	G1" Thread (25mm ID Ø)
EBM035A2300 / EVD	1307	339	426	513	1035	426	G1" Thread (25mm ID Ø)
EBM043A2300 / EVD	1307	339	426	513	1035	426	G1" Thread (25mm ID Ø)
EBM051A2300 / EVD	1307	339	426	513	1035	426	G1" Thread (25mm ID Ø)
Low Temperature							
EBL019E2300 / EVD	1167	339	426	458	875	426	G1" Thread (25mm ID Ø)
EBL034E2300 / EVD	1167	339	426	458	875	426	G1" Thread (25mm ID Ø)



KARYER EB SERIES EVAPORATORS

Evaporator Dimensions (cont'd)

Dimension Diagram: D3

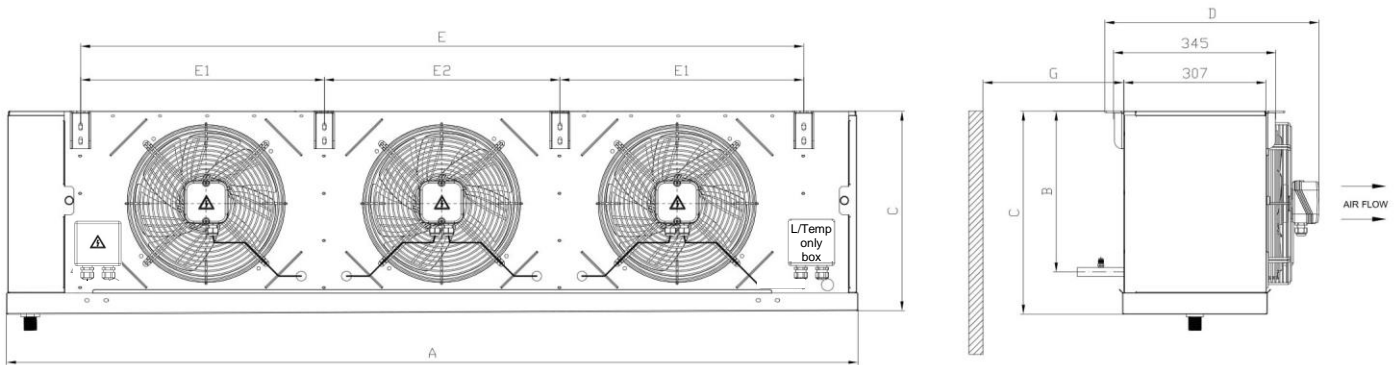
Evaporator Model (3 x 300mm Fans)	A (mm)	B (mm)	C (mm)	D (mm)	E (mm)	E1 (mm)	E2 (mm)	G (mm) Minimum Distance	Drain Connection
--------------------------------------	-----------	-----------	-----------	-----------	-----------	------------	------------	----------------------------	---------------------

Medium Temperature

EBM058A3300 / EVD	1567	339	426	458	1295	438	420	426	G1" Thread (25mm ID Ø)
EBM065A3300 / EVD	1807	339	426	458	1535	517.5	500	426	G1" Thread (25mm ID Ø)
EBM072A3300 / EVD	1567	339	426	458	1295	438	420	426	G1" Thread (25mm ID Ø)

Low Temperature

EBL041E3300 / EVD	1827	339	426	458	1535	517.5	500	426	G1" Thread (25mm ID Ø)
EBL057E3300 / EVD	1827	339	426	458	1535	517.5	500	426	G1" Thread (25mm ID Ø)

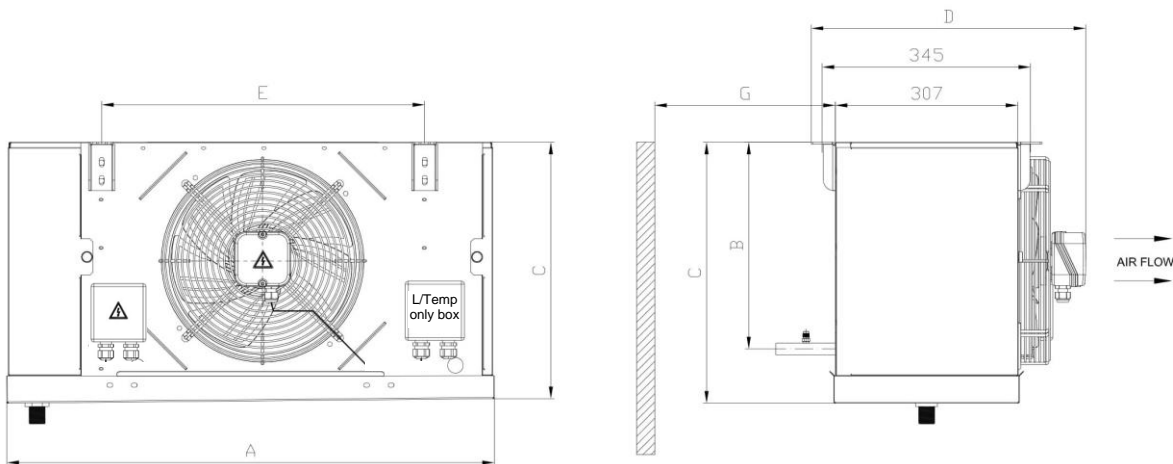


Dimension Diagram: D4

Evaporator Model (1 x 350mm Fan)	A (mm)	B (mm)	C (mm)	D (mm)	E (mm)	G (mm) Minimum Distance	Drain Connection
-------------------------------------	-----------	-----------	-----------	-----------	-----------	----------------------------	---------------------

Low Temperature

EBL024E1350 / EVD	927	469	553	463	635	553	G1" Thread (25mm ID Ø)
EBL031E1350 / EVD	927	469	553	463	635	553	G1" Thread (25mm ID Ø)

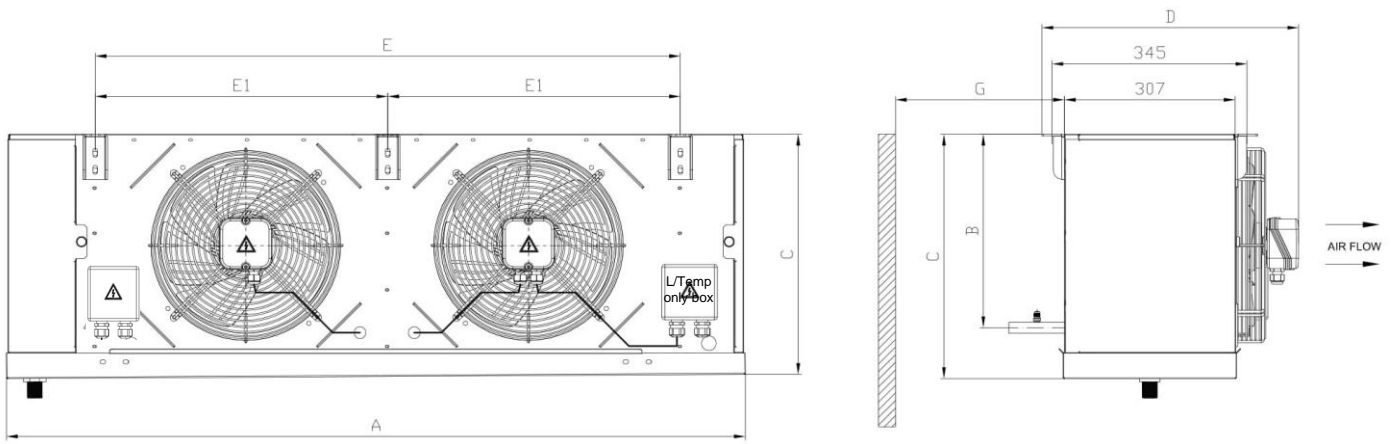


KARYER EB SERIES EVAPORATORS

Evaporator Dimensions (cont'd)

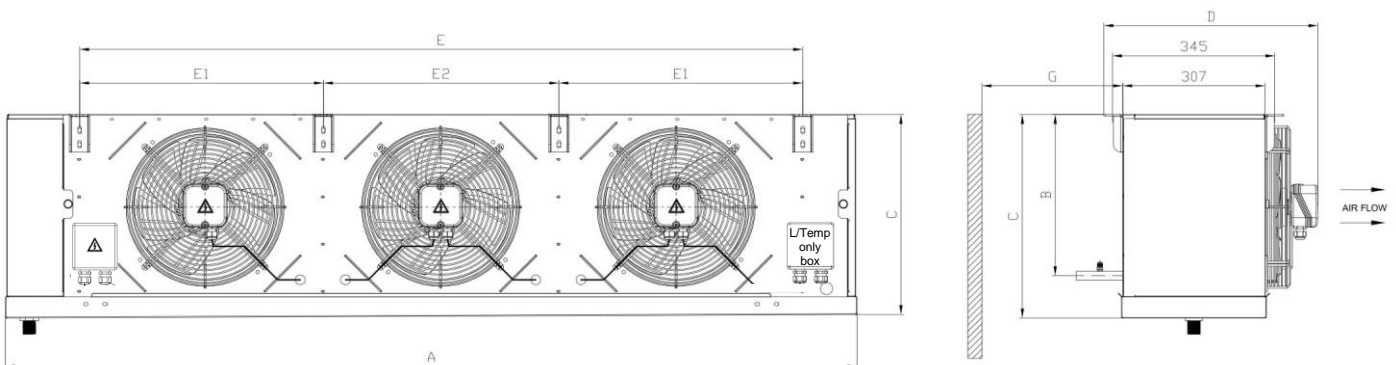
Dimension Diagram: D5

Evaporator Model (2 x 350mm Fans)	A (mm)	B (mm)	C (mm)	D (mm)	E (mm)	E1 (mm)	G (mm) Minimum Distance	Drain Connection
Medium Temperature								
EBM078A2350 / EVD	1507	469	553	463	1235	617.5	553	G1" Thread (25mm ID Ø)
EBM099A2350 / EVD	1507	469	553	463	1235	617.5	553	G1" Thread (25mm ID Ø)
Low Temperature								
EBL048E2350 / EVD	1527	469	553	463	1235	617.5	553	G1" Thread (25mm ID Ø)
EBL065E2350 / EVD	1527	469	553	463	1235	617.5	553	G1" Thread (25mm ID Ø)



Dimension Diagram: D6

Evaporator Model (3 x 350mm Fans)	A (mm)	B (mm)	C (mm)	D (mm)	E (mm)	E1 (mm)	E2 (mm)	G (mm) Minimum Distance	Drain Connection
Medium Temperature									
EBM110A3350 / EVD	2107	469	553	463	1835	617.5	600	553	G1" Thread (25mm ID Ø)
EBM149A3350 / EVD	2107	469	553	463	1835	617.5	600	553	G1" Thread (25mm ID Ø)
Low Temperature									
EBL072E3350 / EVD	2127	469	553	463	1835	617.5	600	553	G1" Thread (25mm ID Ø)
EBL100E3350 / EVD	2127	469	553	463	1835	617.5	600	553	G1" Thread (25mm ID Ø)

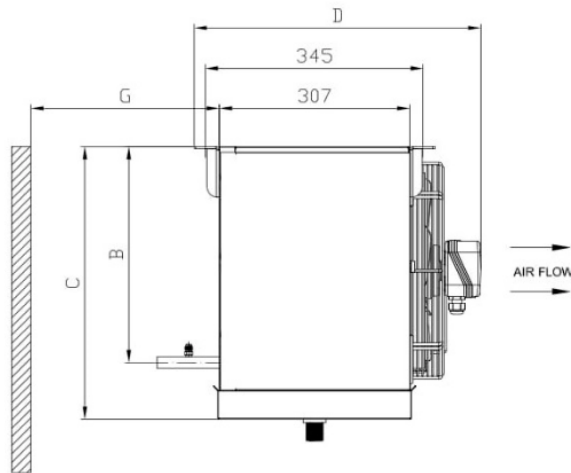
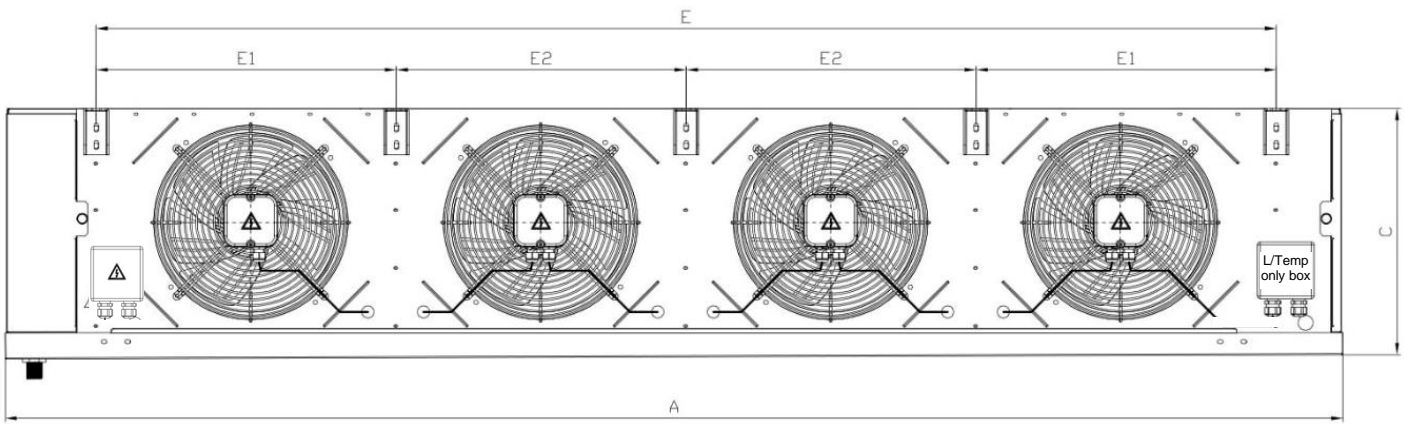


KARYER EB SERIES EVAPORATORS

Evaporator Dimensions (cont'd)

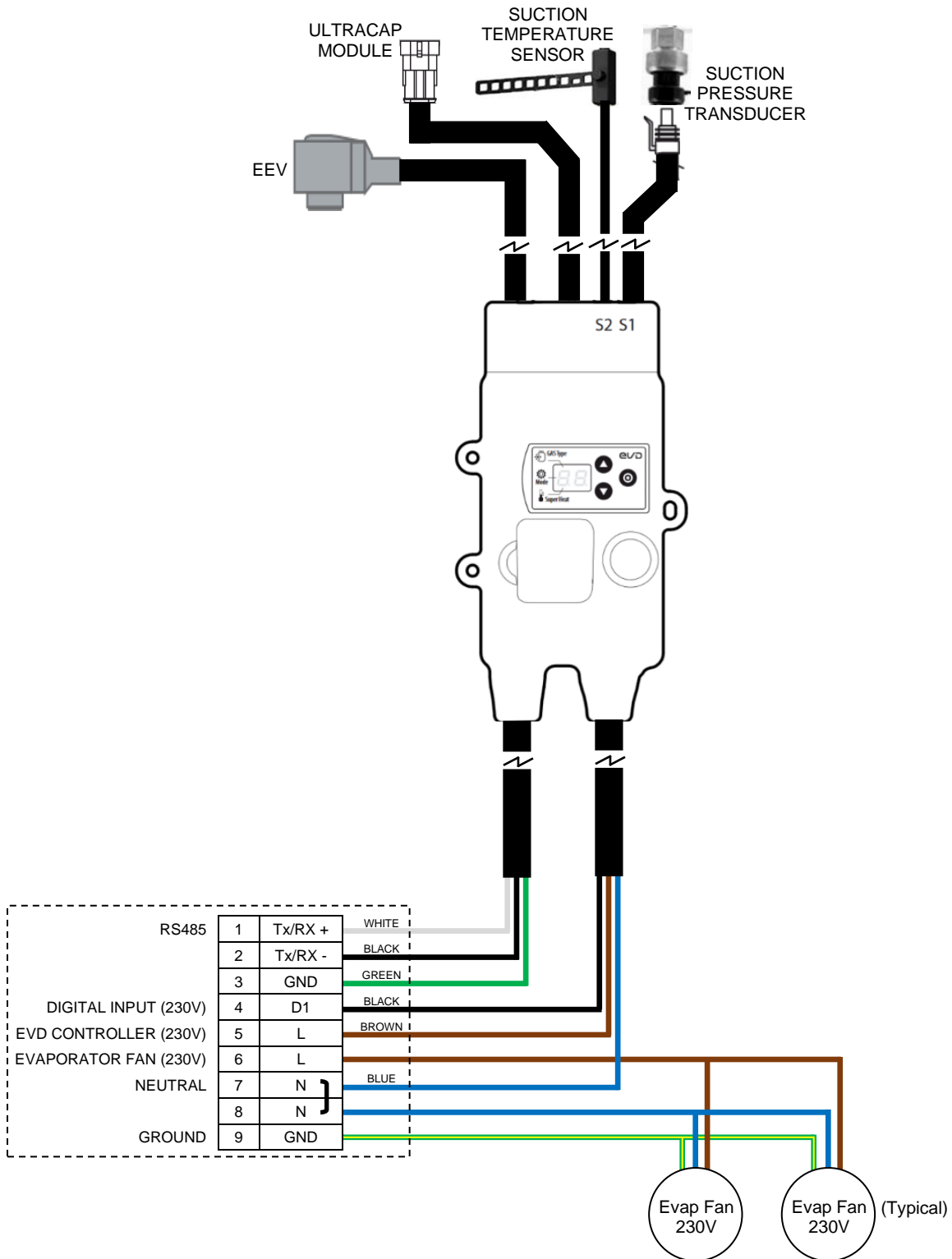
Dimension Diagram: D7

Evaporator Model (4 x 350mm Fans)	A (mm)	B (mm)	C (mm)	D (mm)	E (mm)	E1 (mm)	E2 (mm)	G (mm) Minimum Distance	Drain Connection
Medium Temperature									
EBM154A4350 / EVD	2707	469	553	463	2435	617.5	600	553	G1" Thread (25mm ID Ø)
EBM189A4350 / EVD	2707	469	553	463	2435	617.5	600	553	G1" Thread (25mm ID Ø)
Low Temperature									
EBL126E4350 / EVD	2727	469	553	463	2435	617.5	600	553	G1" Thread (25mm ID Ø)



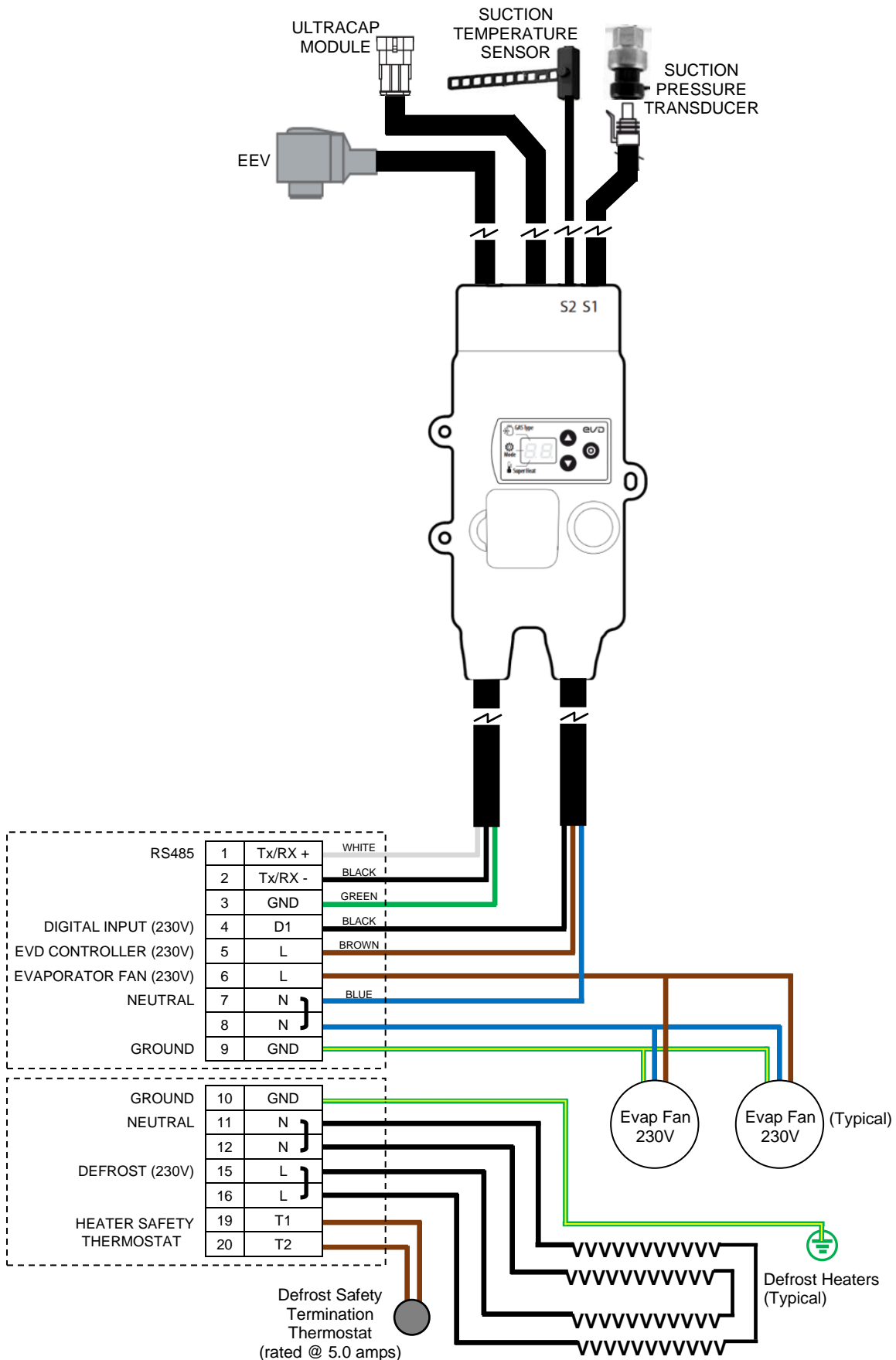
KARYER EB SERIES EVAPORATORS

Medium Temperature - Evaporator with EVD-ice Wiring



KARYER EB SERIES EVAPORATORS

Low Temperature - Evaporator with EVD-ice Wiring



KARYER EB SERIES EVAPORATORS

Shipping Dimensions & Weights

Medium Temperature - Shipping Dimensions & Weights				
Medium Temperature Evaporator Models	Shipping Packaged Dimensions (mm)			Shipping Weight (Kg)
	Depth	Width	Height	
EBM018A1300 / EVD	570	880	520	21.0
EBM021A1300 / EVD	570	880	520	23.0
EBM026A1300 / EVD	570	880	520	25.0
EBM032A2300 / EVD	570	1230	650	36.0
EBM035A2300 / EVD	570	1380	650	38.0
EBM043A2300 / EVD	570	1380	650	40.0
EBM051A2300 / EVD	570	1380	650	44.0
EBM058A3300 / EVD	570	1640	650	50.0
EBM065A3300 / EVD	570	1880	650	72.0
EBM072A3300 / EVD	570	1640	650	55.0
EBM078A2350 / EVD	575	1580	760	56.0
EBM099A2350 / EVD	575	1580	760	64.0
EBM110A3350 / EVD	575	2180	760	73.0
EBM149A3350 / EVD	575	2180	760	85.0
EBM154A4350 / EVD	575	2760	760	100.0
EBM189A4350 / EVD	575	2760	760	114.0

Low Temperature - Shipping Dimensions & Weights				
Low Temperature Evaporator Models	Shipping Packaged Dimensions (mm)			Shipping Weight (Kg)
	Depth	Width	Height	
EBL016E1300 / EVD	570	800	520	24.0
EBL019E2300 / EVD	570	1230	650	36.0
EBL034E2300 / EVD	570	1230	650	44.0
EBL041E3300 / EVD	570	1880	650	62.0
EBL057E3300 / EVD	570	1880	650	67.0
EBL024E1350 / EVD	570	980	650	32.0
EBL031E1350 / EVD	575	980	760	36.0
EBL048E2350 / EVD	575	1580	760	61.0
EBL065E2350 / EVD	575	1580	760	69.0
EBL072E3350 / EVD	575	2180	760	77.0
EBL100E3350 / EVD	575	2180	760	90.0
EBL126E4350 / EVD	575	2760	760	111.0

KARYER EB SERIES EVAPORATORS

Spare Parts – Medium Temperature

Medium Temperature Evaporator Models	ebm Fan Motors (Australian Stocked Replacements)	Drain Trays	Two Hinge Side Panels	
			Header Side	Opposite Side (non-header side)
EBM018A1300 / EVD	S4E300AS7244	D134208	D134189	D134191
EBM021A1300 / EVD	S4E300AS7244	D134208	D134189	D134191
EBM026A1300 / EVD	S4E300AS7244	D134208	D134189	D134191
EBM032A2300 / EVD	S4E300AS7244	D134210	D134189	D134191
EBM035A2300 / EVD	S4E300AS7244	D134211	D134189	D134191
EBM043A2300 / EVD	S4E300AS7244	D134211	D134189	D134191
EBM051A2300 / EVD	S4E300AS7244	D134211	D134189	D134191
EBM058A3300 / EVD	S4E300AS7244	D134213	D134189	D134191
EBM065A3300 / EVD	S4E300AS7244	D134214	D134189	D134191
EBM072A3300 / EVD	S4E300AS7244	D134213	D134189	D134191
EBM078A2350 / EVD	S4E350AN0248	D134212	D134190	D134192
EBM099A2350 / EVD	S4E350AN0248	D134212	D134190	D134192
EBM110A3350 / EVD	S4E350AN0248	D134215	D134190	D134192
EBM149A3350 / EVD	S4E350AN0248	D134215	D134190	D134192
EBM154A4350 / EVD	S4E350AN0248	D134216	D134190	D134192
EBM189A4350 / EVD	S4E350AN0248	D134216	D134190	D134192

Medium Temperature Evaporator Models	EVD-ice Valves				
	Valve Cartridge	Driver Module	Ultracap Resin Module	Replacement Motor / Stator	Pressure Transmitter
EBM018A1300 / EVD	E2VATT09Z0	EVDM011S50	EVDMU00R10	E2VSTA0330	SPKT0013P3
EBM021A1300 / EVD	E2VATT11Z0	EVDM011S50	EVDMU00R10	E2VSTA0330	SPKT0013P3
EBM026A1300 / EVD	E2VATT11Z0	EVDM011S50	EVDMU00R10	E2VSTA0330	SPKT0013P3
EBM032A2300 / EVD	E2VATT11Z0	EVDM011S50	EVDMU00R10	E2VSTA0330	SPKT0013P3
EBM035A2300 / EVD	E2VATT14Z0	EVDM011S50	EVDMU00R10	E2VSTA0330	SPKT0013P3
EBM043A2300 / EVD	E2VATT14Z0	EVDM011S50	EVDMU00R10	E2VSTA0330	SPKT0013P3
EBM051A2300 / EVD	E2VATT18Z0	EVDM011S50	EVDMU00R10	E2VSTA0330	SPKT0013P3
EBM058A3300 / EVD	E2VATT18Z0	EVDM011S50	EVDMU00R10	E2VSTA0330	SPKT0013P3
EBM065A3300 / EVD	E2VATT18Z0	EVDM011S50	EVDMU00R10	E2VSTA0330	SPKT0013P3
EBM072A3300 / EVD	E2VATT24Z0	EVDM011S50	EVDMU00R10	E2VSTA0330	SPKT0013P3
EBM078A2350 / EVD	E2VATT24Z0	EVDM011S50	EVDMU00R10	E2VSTA0330	SPKT0013P3
EBM099A2350 / EVD	E2VATT24Z0	EVDM011S50	EVDMU00R10	E2VSTA0330	SPKT0013P3
EBM110A3350 / EVD	E2VATT30Z0	EVDM011S50	EVDMU00R10	E2VSTA0330	SPKT0013P3
EBM149A3350 / EVD	E2VATT30Z0	EVDM011S50	EVDMU00R10	E2VSTA0330	SPKT0013P3
EBM154A4350 / EVD	E2VATT30Z0	EVDM011S50	EVDMU00R10	E2VSTA0330	SPKT0013P3
EBM189A4350 / EVD	E2VATT35Z0	EVDM011S50	EVDMU00R10	E2VSTA0330	SPKT0013P3

KARYER EB SERIES EVAPORATORS

Spare Parts – Low Temperature

Low Temperature Evaporator Models	ebm Fan Motors (Australian Stocked Replacements)	*Defrost Safety Termination Thermostat	Defrost Heater Sets (There are 2 x heaters wired in series per set)			
			Coil Heater Set	Set Qty	Pan Heater Set	Set Qty
EBL016E1300 / EVD	S4E300AS7244	D92041	D90294	2	D90294	1
EBL019E2300 / EVD	S4E300AS7244	D92041	D90647	1	D90647	1
EBL034E2300 / EVD	S4E300AS7244	D92041	D90647	2	D90647	1
EBL041E3300 / EVD	S4E300AS7244	D92041	D90321	2	D90321	1
EBL057E3300 / EVD	S4E300AS7244	D92041	D90321	2	D90321	1
EBL024E1350 / EVD	S4E350AN0248	D92041	D90193	3	D90193	1
EBL031E1350 / EVD	S4E350AN0248	D92041	D90193	4	D90193	1
EBL048E2350 / EVD	S4E350AN0248	D92041	D90058	3	D90058	1
EBL065E2350 / EVD	S4E350AN0248	D92041	D90058	4	D90058	1
EBL072E3350 / EVD	S4E350AN0248	D92041	D91424	3	D91424	1
EBL100E3350 / EVD	S4E350AN0248	D92041	D91424	4	D91424	1
EBL126E4350 / EVD	S4E350AN0248	D92041	D90285	4	D90285	1

*Note: Defrost safety termination thermostat fitted to low temp evaps are rated @ 5.0 amps – use only in defrost heater control circuit.

Low Temperature Evaporator Models	EVD-ice Valves					Drain Trays	Two Hinge Side Panels	
	Valve Cartridge	Driver Module	Ultracap Resin Module	Replacement Motor / Stator	Pressure Transmitter		Header Side	Opposite Side (non-header)
EBL016E1300 / EVD	E2VATT09Z0	EVDM011S50	EVDMU00R10	E2VSTA0330	SPKT0013P3	D134207	D134189	D134191
EBL019E2300 / EVD	E2VATT11Z0	EVDM011S50	EVDMU00R10	E2VSTA0330	SPKT0013P3	D134210	D134189	D134191
EBL034E2300 / EVD	E2VATT11Z0	EVDM011S50	EVDMU00R10	E2VSTA0330	SPKT0013P3	D134210	D134189	D134191
EBL041E3300 / EVD	E2V14ZWF13	EVDM011S50	EVDMU00R10	E2VSTA0330	SPKT0013P3	D134214	D134189	D134191
EBL057E3300 / EVD	E2VATT14Z0	EVDM011S50	EVDMU00R10	E2VSTA0330	SPKT0013P3	D134214	D134189	D134191
EBL024E1350 / EVD	E2VATT14Z0	EVDM011S50	EVDMU00R10	E2VSTA0330	SPKT0013P3	D134209	D134190	D134192
EBL031E1350 / EVD	E2VATT18Z0	EVDM011S50	EVDMU00R10	E2VSTA0330	SPKT0013P3	D134209	D134190	D134192
EBL048E2350 / EVD	E2VATT18Z0	EVDM011S50	EVDMU00R10	E2VSTA0330	SPKT0013P3	D134212	D134190	D134192
EBL065E2350 / EVD	E2VATT24Z0	EVDM011S50	EVDMU00R10	E2VSTA0330	SPKT0013P3	D134212	D134190	D134192
EBL072E3350 / EVD	E2VATT24Z0	EVDM011S50	EVDMU00R10	E2VSTA0330	SPKT0013P3	D134215	D134190	D134192
EBL100E3350 / EVD	E2VATT24Z0	EVDM011S50	EVDMU00R10	E2VSTA0330	SPKT0013P3	D134215	D134190	D134192
EBL126E4350 / EVD	E2VATT30Z0	EVDM011S50	EVDMU00R10	E2VSTA0330	SPKT0013P3	D134216	D134190	D134192