

EC-A Series Single Blow Cabinet Coolers

The **Karyer EC-A** series evaporators are specially designed for a wide variety of smaller ceiling mounted commercial refrigeration medium and low temperature applications such as storage and display cabinets etc specifically where space is a premium.

The EC series evaporators have a professional and fresh white case finish that will compliment any installation project in the Australian marketplace.

These evaporators are designed with optimum tube diameters that ensure the smallest refrigerant charges coupled with maximum increased efficiency and excellent oil return.

The fin spacings offered have been selected to ensure a finely tuned balance that will provide trouble free operation with the most efficient cooling effect for correctly engineered applications.

The single-phase evaporator fan assemblies are **ebm** NIQ motors renowned worldwide for quality and reliability.

These fan motors have been selected specifically to match what has been considered standard and commonly used configuration for many years in the Australian market.

The EC-A Cabinet Cooler series features:

- Evaporator case panels - powder coated white aluminium
- Stainless Steel fittings (screws, nuts & bolts etc)
- Designed for flush mounting
- Epoxy powder coated fin treatment
- Standard coils are designed for multiple refrigerants
- Aluminium fins and high-performance copper tube for excellent heat transfer
- Fin spacings are selected for specific models & applications
- Hinged drain pan made easy for cleaning and access
- Quality defrost heaters to ensure efficient defrost - low temp models only
- Two wire defrost heater safety termination thermostats (5.0amp) - low temp models only
- High quality single phase ebm NIQ fan motor assemblies
- Fan motors and defrost heaters pre-wired back to electrical connection boxes.



KARYER EC-A SERIES CABINET COOLERS

Medium Temperature - Cabinet Coolers

Based on -4°C Saturated Suction Temperature

Model		ECAM005A1200	ECAM006A2200	ECAM007A2200	ECAM008A2200
R134A	Watts 6ktd	414	528	612	732
	Watts 1ktd	69	88	102	122
R513A	Watts 6ktd	402	516	600	714
	Watts 1ktd	67	86	100	119
R404A	Watts 6ktd	450	576	666	798
	Watts 1ktd	75	96	111	133
R507	Watts 6ktd	438	558	642	774
	Watts 1ktd	73	93	107	129
R449A	Watts 6ktd	426	546	630	756
	Watts 1ktd	71	91	105	126
R448A	Watts 6ktd	432	552	636	762
	Watts 1ktd	72	92	106	127
Air Flow	(m ³ /hr)	207	434	434	368
Air Throw	(metres)	2.4	3.7	3.7	3.2
Fan Info		1 x 200mm	2 x 200mm	2 x 200mm	2 x 200mm
230/1/50Hz AC Fan Motors	Total Watts	10	20	20	20
	Total Amps	0.07	0.14	0.14	0.14
Outlet Connection	(inch)	3/8	3/8	3/8	3/8
Inlet Connection	(inch)	3/8	3/8	3/8	3/8
Required TX Valve	Type	Internal equalized	Internal equalized	Internal equalized	Internal equalized
Tube Volume	(dm ³)	0.6	0.7	0.7	1.0
Fin spacing	(mm)	3.8	4.0	4.0	3.8
Dry Weight	(kg)	5.4	7.6	8.4	10.0
Dimensions (mm)	Width	395	595	595	595
	Depth	415	415	415	415
	Height (w/out drain conn)	125 (+26mm for drain fitting)	125 (+26mm for drain fitting)	125 (+26mm for drain fitting)	125 (+26mm for drain fitting)
Dimension Diagram		D50	D51	D51	D51

KARYER EC-A SERIES CABINET COOLERS

Medium Temperature - Cabinet Coolers (cont'd)

Based on -4°C Saturated Suction Temperature

Model		ECAM010A2230	ECAM012A3200	ECAM014A3200
R134A	Watts 6ktd	960	1140	1302
	Watts 1ktd	160	190	217
R513A	Watts 6ktd	924	1116	1260
	Watts 1ktd	154	186	210
R404A	Watts 6ktd	1026	1242	1410
	Watts 1ktd	171	207	235
R507	Watts 6ktd	1008	1200	1368
	Watts 1ktd	168	200	228
R449A	Watts 6ktd	972	1176	1332
	Watts 1ktd	162	196	222
R448A	Watts 6ktd	984	1188	1344
	Watts 1ktd	164	198	224
Air Flow	(m ³ /hr)	566	771	664
Air Throw	(metres)	4.4	4.8	4.1
Fan Info		2 x 230mm	3 x 200mm	3 x 200mm
230/1/50Hz AC Fan Motors	Total Watts	21.0	30.0	30.0
	Total Amps	0.19	0.21	0.21
Outlet Connection	(inch)	3/8	3/8	1/2
Inlet Connection	(inch)	3/8	3/8	3/8
Tube Volume	(dm ³)	1.1	1.4	1.931
Required TX Valve	Type	Internal equalized	Internal equalized	Internal equalized
Fin spacing	(mm)	3.0	4.0	3.8
Dry Weight	(kg)	12.0	14.0	14.0
Dimensions (mm)	Width	900	1095	1095
	Depth	465	415	415
	Height (w/out drain conn)	127 (+26mm for drain fitting)	125 (+26mm for drain fitting)	125 (+26mm for drain fitting)
Dimension Diagram		D52	D53	D53

KARYER EC-A SERIES CABINET COOLERS

Low Temperature - Cabinet Coolers

Based on -24°C Saturated Suction Temperature

Model		ECAL003E1200	ECAL004E2200	ECAL005E2200	ECAL006E2200
R404A	Watts 6ktd	342	426	504	570
	Watts 1ktd	57	71	84	95
R507	Watts 6ktd	324	420	492	558
	Watts 1ktd	54	70	82	93
R449A	Watts 6ktd	318	402	474	536
	Watts 1ktd	53	67	79	89
R448A	Watts 6ktd	324	396	480	540
	Watts 1ktd	54	66	80	90
Air Flow	(m ³ /hr)	222	463	395	395
Air Throw	(metres)	2.6	4.0	3.4	3.4
Fan Info		1 x 200mm	2 x 200mm	2 x 200mm	2 x 200mm
230/1/50Hz AC Fan Motors	Total Watts	10	20	20	20
	Total Amps	0.07	0.14	0.14	0.14
230/1/50Hz Defrost Heaters	Total Watts	525	710	710	1180
	Total Amps	2.3	3.1	3.1	5.2
Outlet Connection	(inch)	3/8	3/8	3/8	3/8
Inlet Connection	(inch)	3/8	3/8	3/8	3/8
Required TX Valve	Type	Internal equalized	Internal equalized	Internal equalized	Internal equalized
Tube Volume	(dm ³)	0.6	0.7	0.8	1.0
Fin spacing	(mm)	5.5	5.5	5.5	5.5
Dry Weight	(kg)	5.8	8.0	8.6	8.8
Dimensions (mm)	Width	395	595	595	595
	Depth	415	415	415	415
	Height (w/out drain conn)	125 (+26mm for drain fitting)	125 (+26mm for drain fitting)	125 (+26mm for drain fitting)	125 (+26mm for drain fitting)
Dimension Diagram		D50	D51	D51	D51

Note: Defrost safety termination thermostat supplied with low temp evaporators are rated @ 5.0 amps – use only in defrost heater control circuit.

KARYER EC-A SERIES CABINET COOLERS

Low Temperature - Cabinet Coolers (cont'd)

Based on -24°C Saturated Suction Temperature

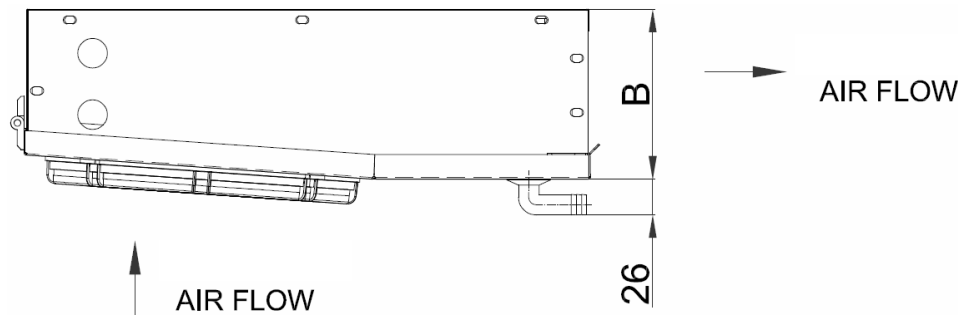
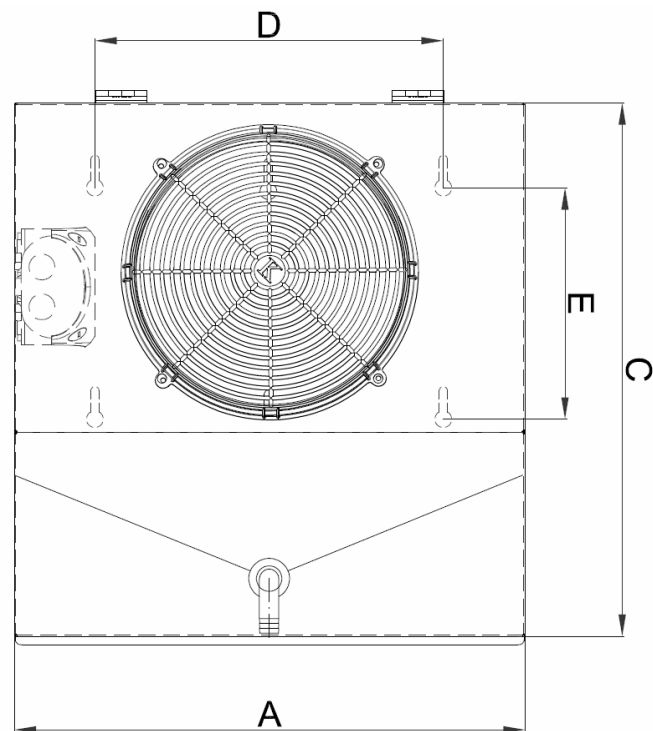
Model		ECAL008E3200	ECAL009E3200	ECAL011E3200
R404A	Watts 6ktd	798	894	1050
	Watts 1ktd	133	149	175
R507	Watts 6ktd	792	864	1014
	Watts 1ktd	132	144	169
R449A	Watts 6ktd	750	834	984
	Watts 1ktd	125	139	164
R448A	Watts 6ktd	762	846	996
	Watts 1ktd	127	141	166
Air Flow	(m ³ /hr)	814	709	709
Air Throw	(metres)	5.1	4.4	4.4
Fan Info		3 x 200mm	3 x 200mm	3 x 200mm
230/1/50Hz AC Fan Motors	Total Watts	30	30	30
	Total Amps	0.21	0.21	0.21
230/1/50Hz Defrost Heaters	Total Watts	1180	1180	1180
	Total Amps	5.2	5.2	5.2
Outlet Connection	(inch)	3/8	1/2	1/2
Inlet Connection	(inch)	3/8	3/8	3/8
Required TX Valve	Type	Internal equalized	Internal equalized	External equalized
Tube Volume	(dm ³)	1.1	1.631	1.931
Fin spacing	(mm)	5.5	5.5	5.5
Dry Weight	(kg)	12.0	13.8	14.6
Dimensions (mm)	Width	1095	1095	1095
	Depth	415	415	415
	Height (w/out drain conn)	125 (+26mm for drain fitting)	125 (+26mm for drain fitting)	125 (+26mm for drain fitting)
Dimension Diagram		D53	D53	D53

Note: Defrost safety termination thermostat supplied with low temp evaporators are rated @ 5.0 amps – use only in defrost heater control circuit.

KARYER EC-A SERIES CABINET COOLERS

Cabinet Coolers - Dimensions

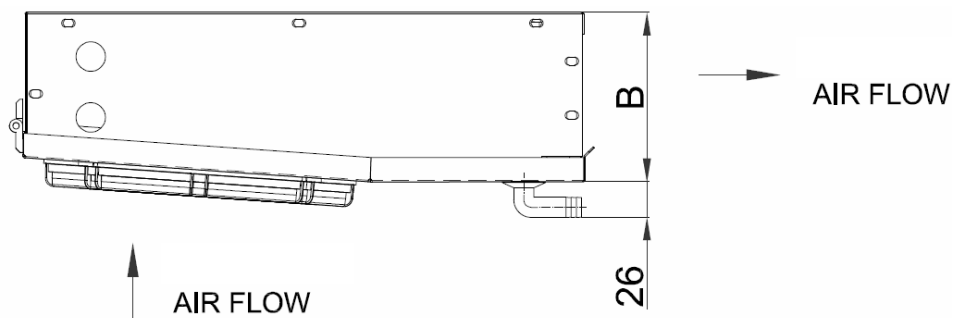
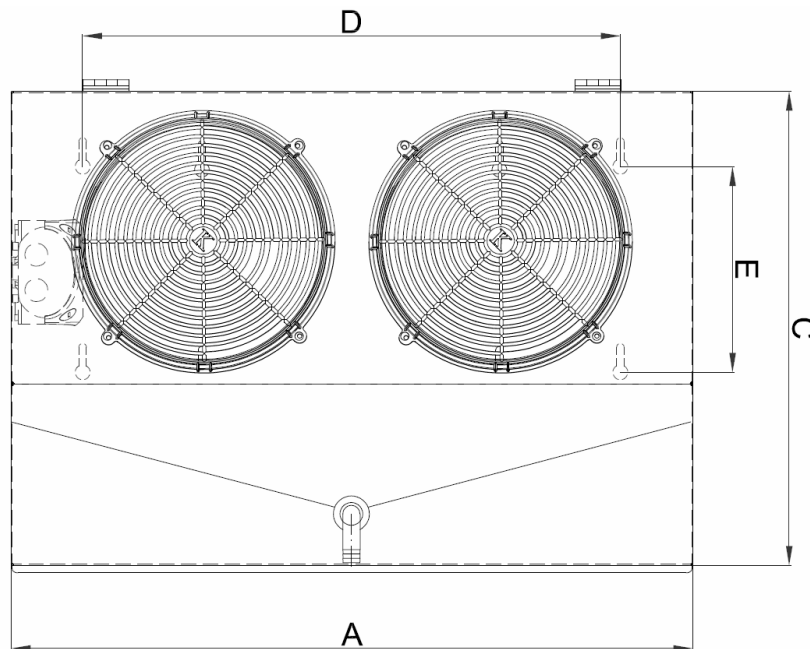
Dimension Diagram: D50						
Evaporator Model (1 x 200mm Fan)	A (mm)	B (mm)	C (mm)	D (mm)	E (mm)	Drain Connection
Medium Temperature						
ECAM005A1200	396	125	415	270	180	19mm O.D. Barb
Low Temperature						
ECAL003E1200	396	125	415	270	180	19mm O.D. Barb



KARYER EC-A SERIES CABINET COOLERS

Cabinet Coolers – Dimensions (cont'd)

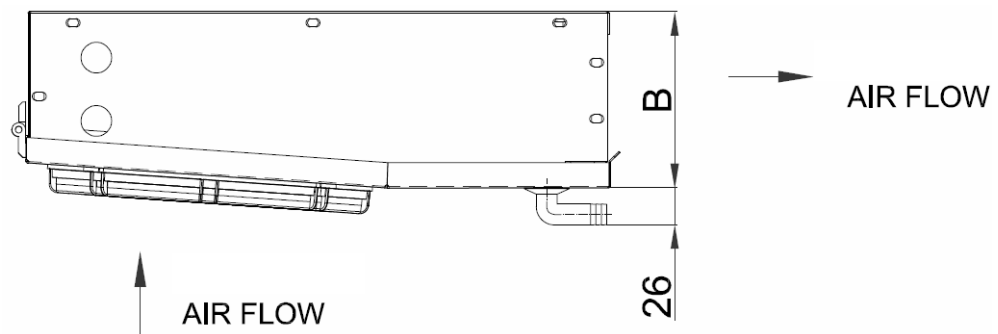
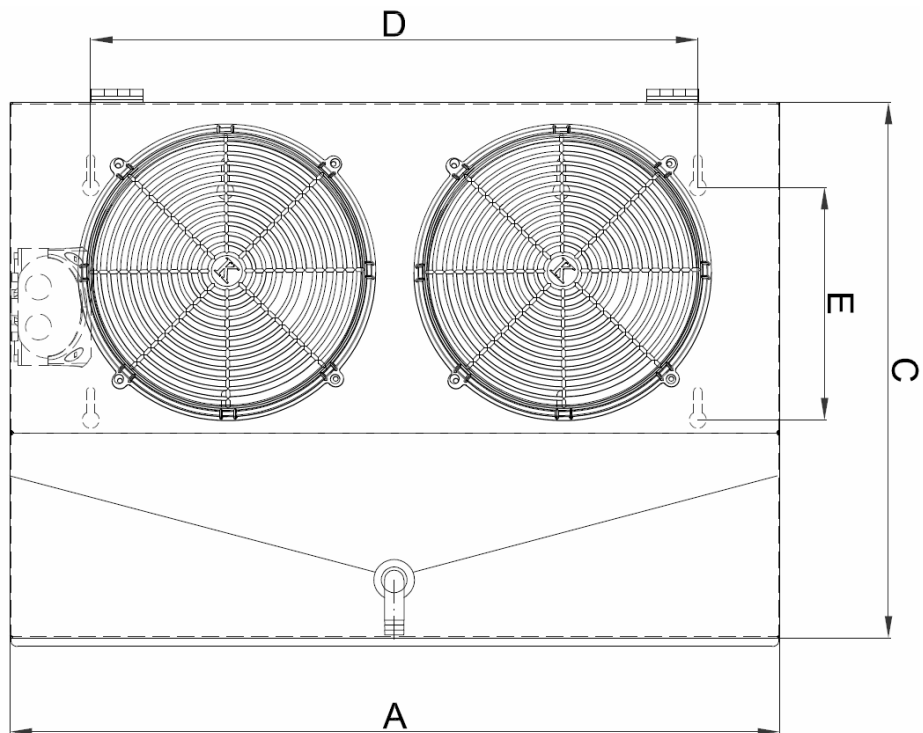
Dimension Diagram: D51						
Evaporator Model (2 x 200mm Fans)	A (mm)	B (mm)	C (mm)	D (mm)	E (mm)	Drain Connection Type
Medium Temperature						
ECAM006A2200	595	125	415	470	180	19mm O.D. Barb
ECAM007A2200	595	125	415	470	180	19mm O.D. Barb
ECAM008A2200	595	125	415	470	180	19mm O.D. Barb
Low Temperature						
ECAL004E2200	595	125	415	470	180	19mm O.D. Barb
ECAL005E2200	595	125	415	470	180	19mm O.D. Barb
ECAL006E2200	595	125	415	470	180	19mm O.D. Barb



KARYER EC-A SERIES CABINET COOLERS

Cabinet Coolers – Dimensions (cont'd)

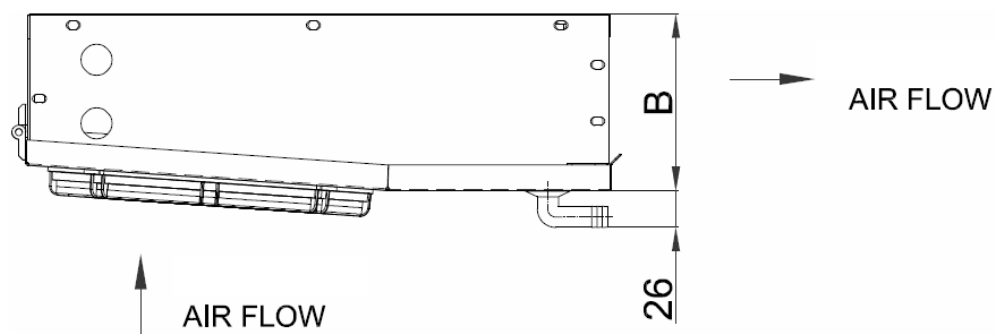
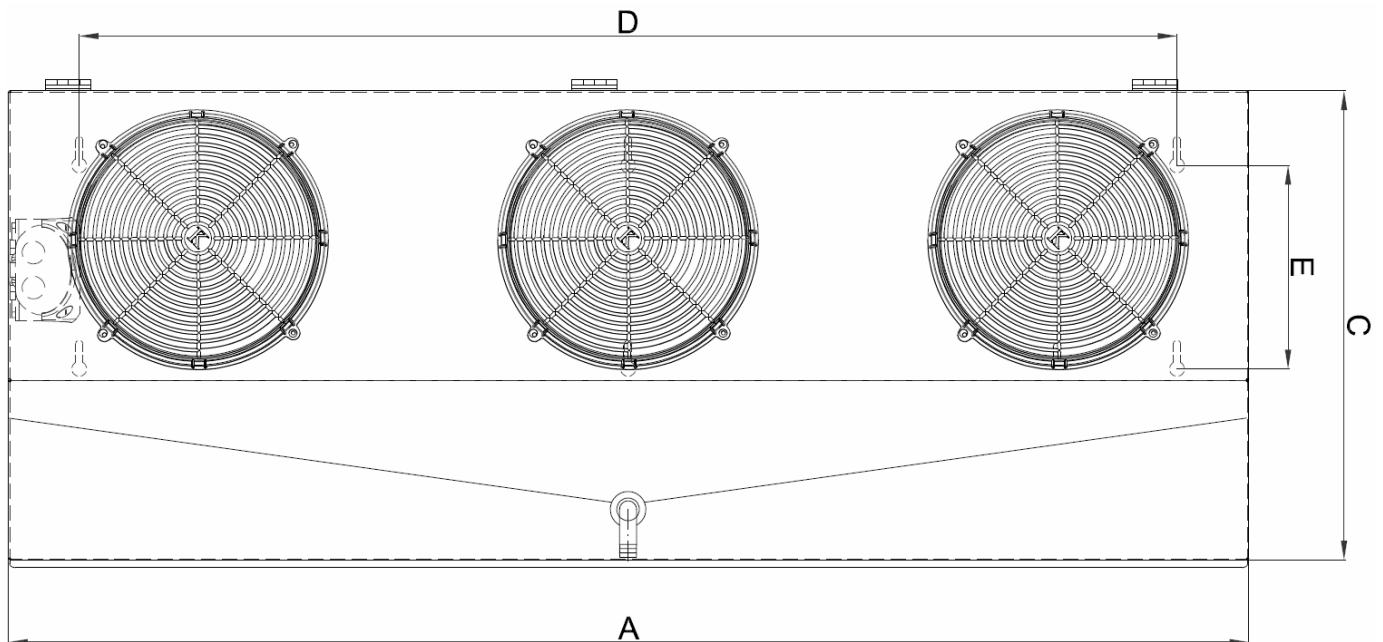
Dimension Diagram: D52						
Evaporator Model (2 x 230mm Fans)	A (mm)	B (mm)	C (mm)	D (mm)	E (mm)	Drain Connection Type
Medium Temperature						
ECAM010A2230	900	127	465	774	180	19mm O.D. Barb



KARYER EC-A SERIES CABINET COOLERS

Cabinet Coolers – Dimensions (cont'd)

Dimension Diagram: D53						
Evaporator Model (3 x 200mm Fans)	A (mm)	B (mm)	C (mm)	D (mm)	E (mm)	Drain Connection Type
Medium Temperature						
ECAM012A3200	1095	125	415	970	180	19mm O.D. Barb
ECAM014A3200	1095	125	415	970	180	19mm O.D. Barb
Low Temperature						
ECAL008E3200	1095	125	415	970	180	19mm O.D. Barb
ECAL009E3200	1095	125	415	970	180	19mm O.D. Barb
ECAL011E3200	1095	125	415	970	180	19mm O.D. Barb



KARYER EC-A SERIES CABINET COOLERS

Cabinet Coolers – Shipping Dimensions & Weights

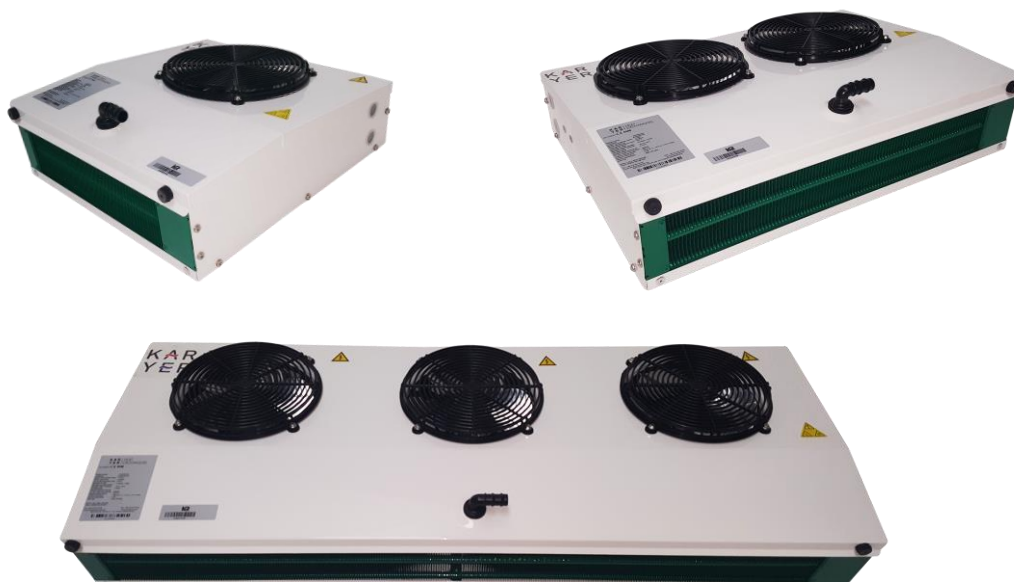
Evaporator Model	Shipping Packaged Dimensions (mm)			Shipping Weight (Kg)
	Depth	Width	Height	

Medium Temperature

ECAM005A1200	140	415	425	5.6
ECAM006A2200	140	615	425	8.0
ECAM007A2200	140	615	425	8.8
ECAM008A2200	140	615	425	10.4
ECAM010A2230	140	915	425	12.6
ECAM012A3200	140	1115	425	14.6
ECAM014A3200	140	1115	425	14.6

Low Temperature

ECAL003E1200	140	415	425	6.0
ECAL004E2200	140	615	425	8.4
ECAL005E2200	140	615	425	9.0
ECAL006E2200	140	615	425	9.2
ECAL008E3200	140	1115	425	12.6
ECAL009E3200	140	1115	425	14.4
ECAL011E3200	140	1115	425	15.2



KARYER EC-A SERIES CABINET COOLERS

Medium Temperature Cabinet Coolers – Spare Parts

Cabinet Cooler Model	ebm Fan Motor	Qty	Airefrig Part Number	Fan Blade Info	Qty	Fan Grille	Qty
ECAM005A1200	NIQ3212	1	D90826	200mm Ø & 34° Pitch	1	D90440 (200mm)	1
ECAM006A2200	NIQ3212	2	D90826	200mm Ø & 34° Pitch	2	D90440 (200mm)	2
ECAM007A2200	NIQ3212	2	D90826	200mm Ø & 34° Pitch	2	D90440 (200mm)	2
ECAM008A2200	NIQ3212	2	D90826	200mm Ø & 34° Pitch	2	D90440 (200mm)	2
ECAM010A2230	NIQ3212	2	D90830	230mm Ø & 28° Pitch	2	D90442 (250mm)	2
ECAM012A3200	NIQ3212	3	D90826	200mm Ø & 34° Pitch	3	D90440 (200mm)	3
ECAM014A3200	NIQ3212	3	D90826	200mm Ø & 34° Pitch	3	D90440 (200mm)	3

Low Temperature Cabinet Coolers – Spare Parts

Cabinet Cooler Model	ebm Fan Motor	Qty	Airefrig Part Number	Fan Blade Info	Qty	Fan Grille	Qty
ECAL003E1200	NIQ3212	1	D90826	200mm Ø & 34° Pitch	1	D90440 (200mm)	1
ECAL004E2200	NIQ3212	2	D90826	200mm Ø & 34° Pitch	2	D90440 (200mm)	2
ECAL005E2200	NIQ3212	2	D90826	200mm Ø & 34° Pitch	2	D90440 (200mm)	2
ECAL006E2200	NIQ3212	2	D90826	200mm Ø & 34° Pitch	2	D90440 (200mm)	2
ECAL008E3200	NIQ3212	3	D90826	200mm Ø & 34° Pitch	3	D90440 (200mm)	3
ECAL009E3200	NIQ3212	3	D90826	200mm Ø & 34° Pitch	3	D90440 (200mm)	3
ECAL011E3200	NIQ3212	3	D90826	200mm Ø & 34° Pitch	3	D90440 (200mm)	3

Cabinet Cooler Model	*Defrost Safety Termination Thermostat	Qty	Coil Heater Part No.	Qty
ECAL003E1200	D92041	1	D90409	1
ECAL004E2200	D92041	1	D90410	1
ECAL005E2200	D92041	1	D90410	1
ECAL006E2200	D92041	1	D90410	1
ECAL008E3200	D92041	1	D90411	1
ECAL009E3200	D92041	1	D90411	1
ECAL011E3200	D92041	1	D90411	1

*Note: Defrost safety termination thermostat fitted to low temp evaps are rated @ 5.0 amps use only in defrost heater control circuit.