

## KC 43bar Series V-Type Remote Air Cooled Condensers with EC fan motors

Karyer KC 43bar Series V-Type remote air cooled condensers are designed in a compact V shape for high efficiency to provide professional solutions for projects utilising R410A refrigerant.

The V-Type condensers are highly efficient heat exchangers that provide an extremely small footprint for the large capacity ranges offered.

KC 43bar series condensers are supplied with corrugated aluminium fin surface and optimum tube diameters for excellent heat transfer in order to increase efficiency.

They are supplied with 2.1mm fin spacings and have a maximum operating pressure of 43 bar suitable for R410A.

These condensers are supplied with the latest EC fan technology utilising ebm three phase 800mm EC fan motor assemblies which are renowned worldwide for quality, reliability with high energy savings performance.

### The KC V-Type 43bar series standard features:

- Quality three phase 800mm ebm EC fan motor assemblies.
- High performance coils with an extremely small footprint for capacities offered.
- Coils are designed with a maximum operating pressure of 43 bar.
- Aluminium corrugated fin surface with 2.1mm spacings and high-performance copper tube.
- Condensers are supplied with Hydrophilic fin treatment.
- Fan motors individually pre-wired to an electrical connection box.
- Stainless steel fasteners - screws, nuts & bolts etc.
- Panels are galvanised sheet coated in Traffic White (RAL 9016) electrostatic powder coating.



# KARYER KC V-TYPE 43bar Condensers with EC motors

## KC 43bar Series V-Type Remote Air Cooled Condensers

800mm EC Fan Motors (400V-3Ph-50Hz.)

Fin Spacing: 2.1mm

Airefrig Part Number	Fan Speeds (rpm)	R410A Capacities (Watts)	
		Watts @ 1ktd	Watts @ 10ktd
KC102VT2800EC3B43	940 rpm (max. speed)	11100	111000
	680 rpm	8600	86000
	380 rpm	5500	55000
KC181VT4800EC3B43	940 rpm (max. speed)	19800	198000
	680 rpm	15500	155000
	380 rpm	10000	100000
KC220VT4800EC3B43	940 rpm (max. speed)	22900	229000
	680 rpm	17700	177000
	380 rpm	11200	112000
KC282VT6800EC3B43	940 rpm (max. speed)	29700	297000
	680 rpm	23200	232000
	380 rpm	15000	150000
KC332VT6800EC3B43	940 rpm (max. speed)	35000	350000
	680 rpm	26700	267000
	380 rpm	16700	167000
KC364VT8800EC3B43	940 rpm (max. speed)	39600	396000
	680 rpm	31000	310000
	380 rpm	20000	200000
KC436VT8800EC3B43	940 rpm (max. speed)	46200	462000
	680 rpm	35500	355000
	380 rpm	22300	223000
KC470VT10800EC3B43	940 rpm (max. speed)	49500	495000
	680 rpm	38500	385000
	380 rpm	24800	248000
KC551VT10800EC3B43	940 rpm (max. speed)	57100	571000
	680 rpm	44300	443000
	380 rpm	28000	280000

Note: Based on 43°C Ambient & 53°C Condensing Temperature

# KARYER KC V-TYPE 43bar Condensers with EC motors

## Technical Specifications

Airefrig Condenser Model	KC102VT2800EC3B43	KC181VT4800EC3B43	KC220VT4800EC3B43
Air Flow (max. speed) (m <sup>3</sup> /hr)	47472	91780	88514
800mm EC Fans (Qty)	2	4	4
400/3/50Hz EC Fan Motors	Total Watts	3900	7800
	Total Amps	6.2	12.4
Inlet Connection (mm)	2 x 28mm	2 x 28mm	2 x 35mm
Outlet Connection (mm)	2 x 22mm	2 x 28mm	2 x 28mm
Fin Spacing (mm)	2.1	2.1	2.1
Heat Exchange Surface Area (m <sup>2</sup> )	386.8	600	800
Internal Tube Volume (l)	39.8	64.4	84
Maximum Pressure (bar)	43.0	43.0	43.0
Dry Weight (**To Be Confirmed) (kg)	**TBC	**TBC	**TBC
Overall Dimensions (mm)	Height	1808	2453
	Depth	1150	2300
	Frame Width (with tails-not cover)	2660	2650
Dimension Diagram	DDKC2B43	DDKC4B43	DDKC4B43

Airefrig Condenser Model	KC282VT6800EC3B43	KC332VT6800EC3B43	KC364VT8800EC3B43
Air Flow (max. speed) (m <sup>3</sup> /hr)	137668	132696	183558
800mm EC Fans (Qty)	6	6	8
400/3/50Hz EC Fan Motors	Total Watts	11700	15600
	Total Amps	18.6	24.8
Inlet Connection (mm)	2 x 35mm	2 x 42mm	2 x 42mm
Outlet Connection (mm)	2 x 35mm	2 x 35mm	2 x 42mm
Fin Spacing (mm)	2.1	2.1	2.1
Heat Exchange Surface Area (m <sup>2</sup> )	900	1200	1200
Internal Tube Volume (l)	96.4	128.6	132.4
Maximum Pressure (bar)	43.0	43.0	43.0
Dry Weight (**To Be Confirmed) (kg)	**TBC	**TBC	**TBC
Overall Dimensions (mm)	Height	2453	2453
	Depth	2300	2300
	Frame Width (with tails-not cover)	3750	3750
Dimension Diagram	DDKC6B43	DDKC6B43	DDKC8B43

# KARYER KC V-TYPE 43bar Condensers with EC motors

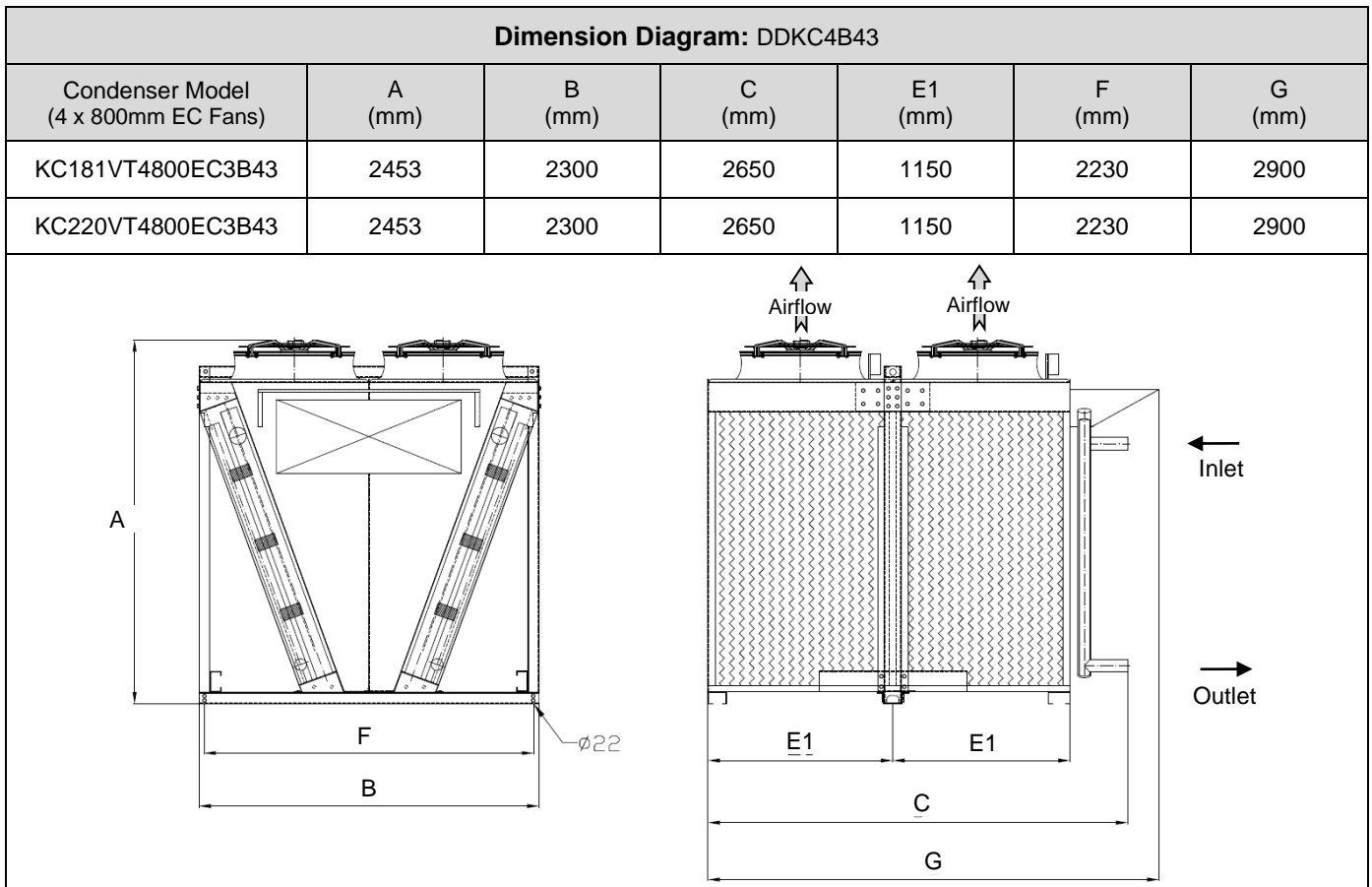
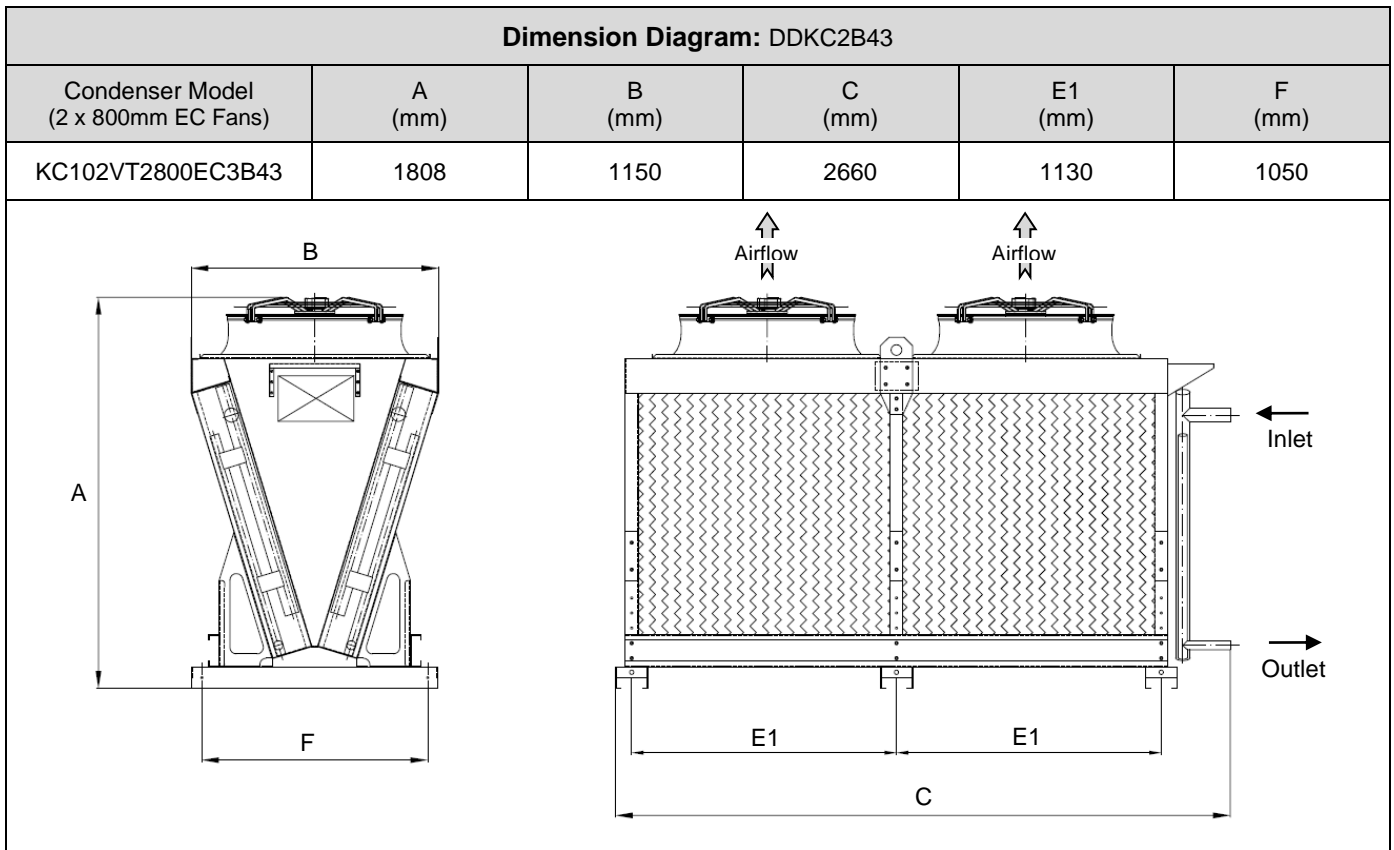
## Technical Specifications (Cont'd)

Airefrig Condenser Model	KC436VT8800EC3B43	KC470VT10800EC3B43	KC551VT10800EC3B43
Air Flow (max. speed) (m <sup>3</sup> /hr)	176930	229448	221286
800mm EC Fans (Qty)	8	10	10
400/3/50Hz EC Fan Motors	Total Watts	15600	19500
	Total Amps	24.8	31.0
Inlet Connection (mm)	2 x 42mm	2 x 42mm	2 x 42mm
Outlet Connection (mm)	2 x 35mm	2 x 42mm	2 x 42mm
Fin Spacing (mm)	2.1	2.1	2.1
Heat Exchange Surface Area (m <sup>2</sup> )	1598	1500	1998
Internal Tube Volume (l)	164.6	161	205.8
Maximum Pressure (bar)	43.0	43.0	43.0
Dry Weight (**To Be Confirmed) (kg)	**TBC	**TBC	**TBC
Overall Dimensions (mm)	Height	2453	2453
	Depth	2300	2300
	Frame Width (with tails-not cover)	4850	5950
Dimension Diagram	DDKC8B43	DDKC10B43	DDKC10B43



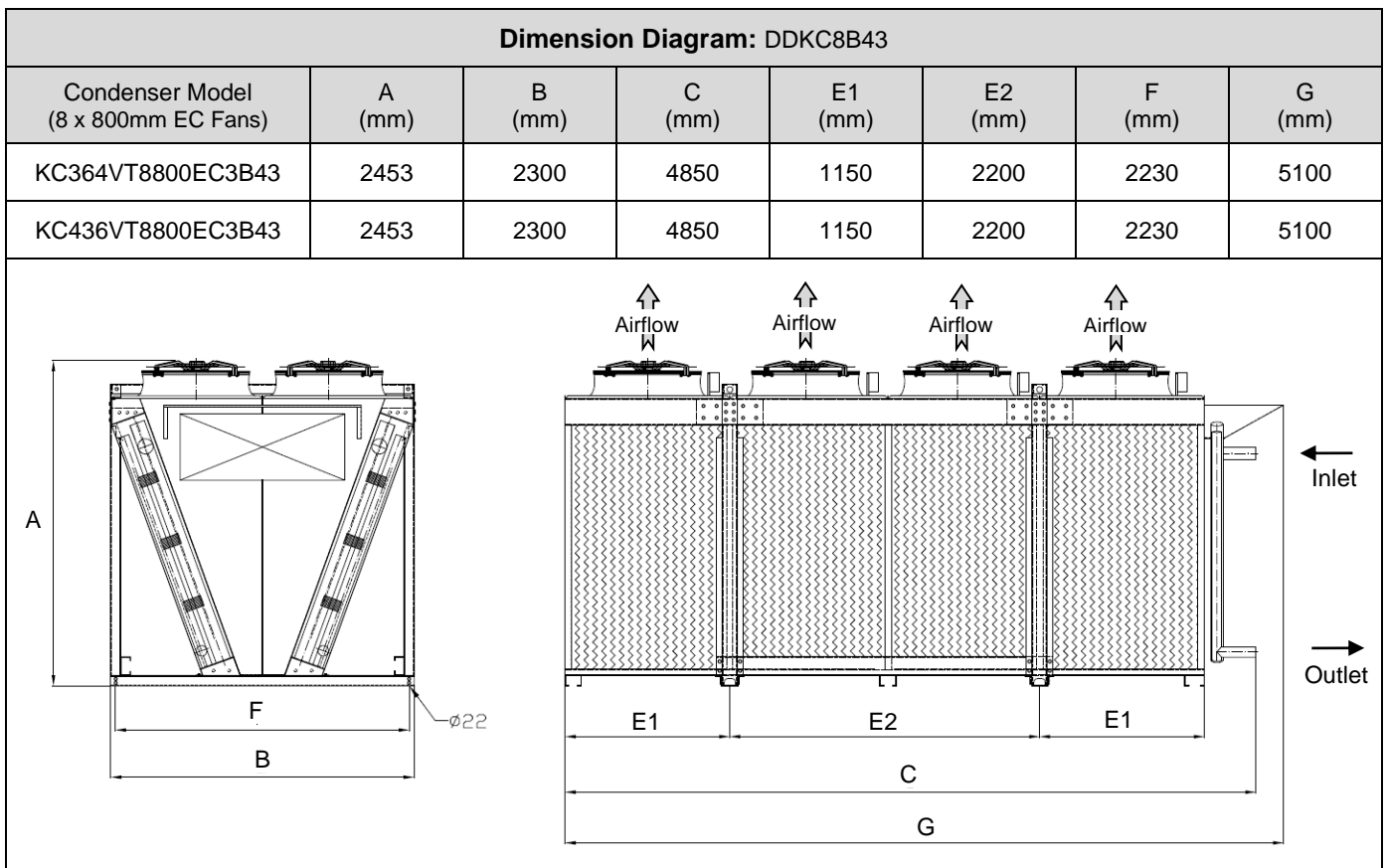
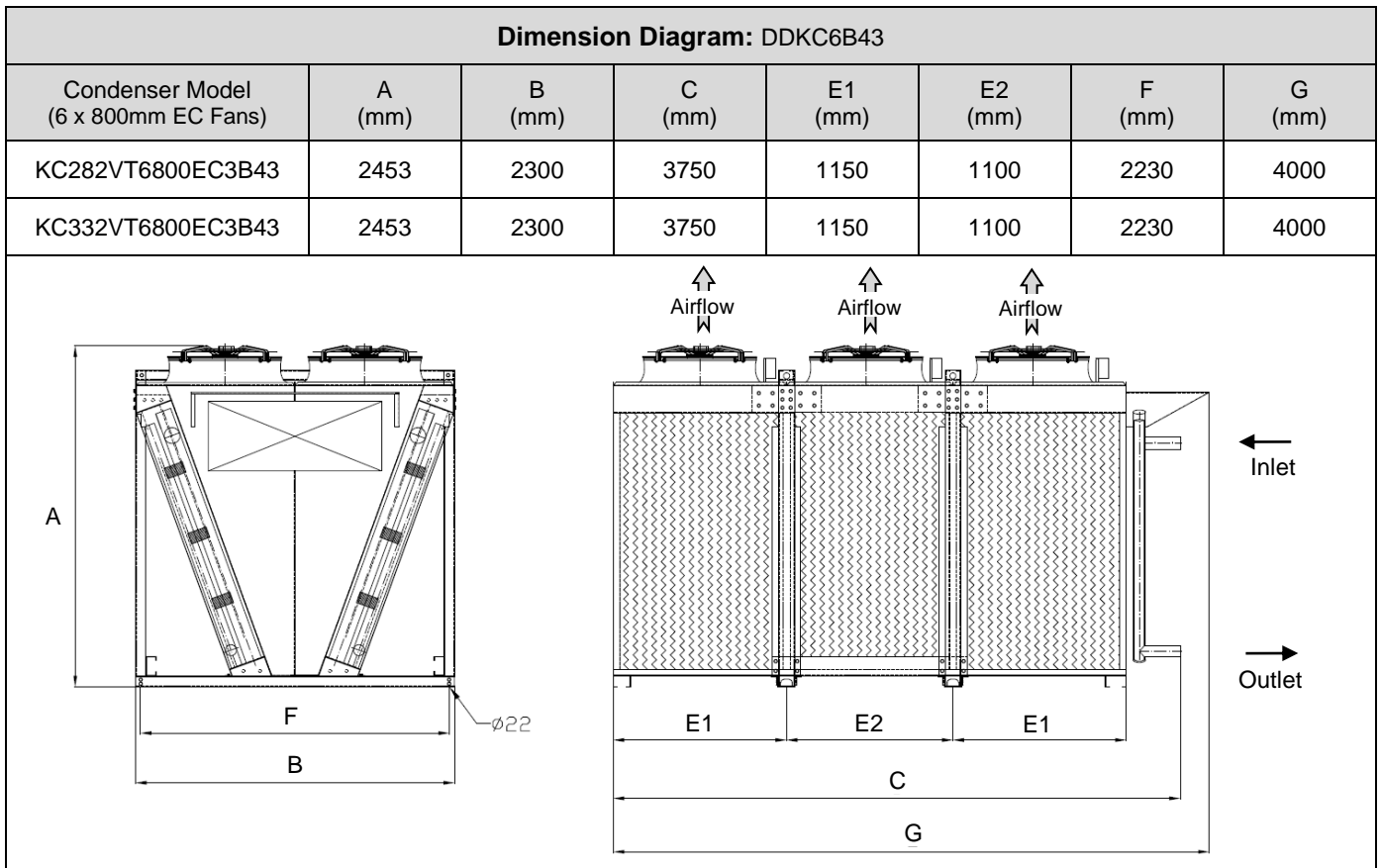
# KARYER KC V-TYPE 43bar Condensers with EC motors

## Condenser Dimensions



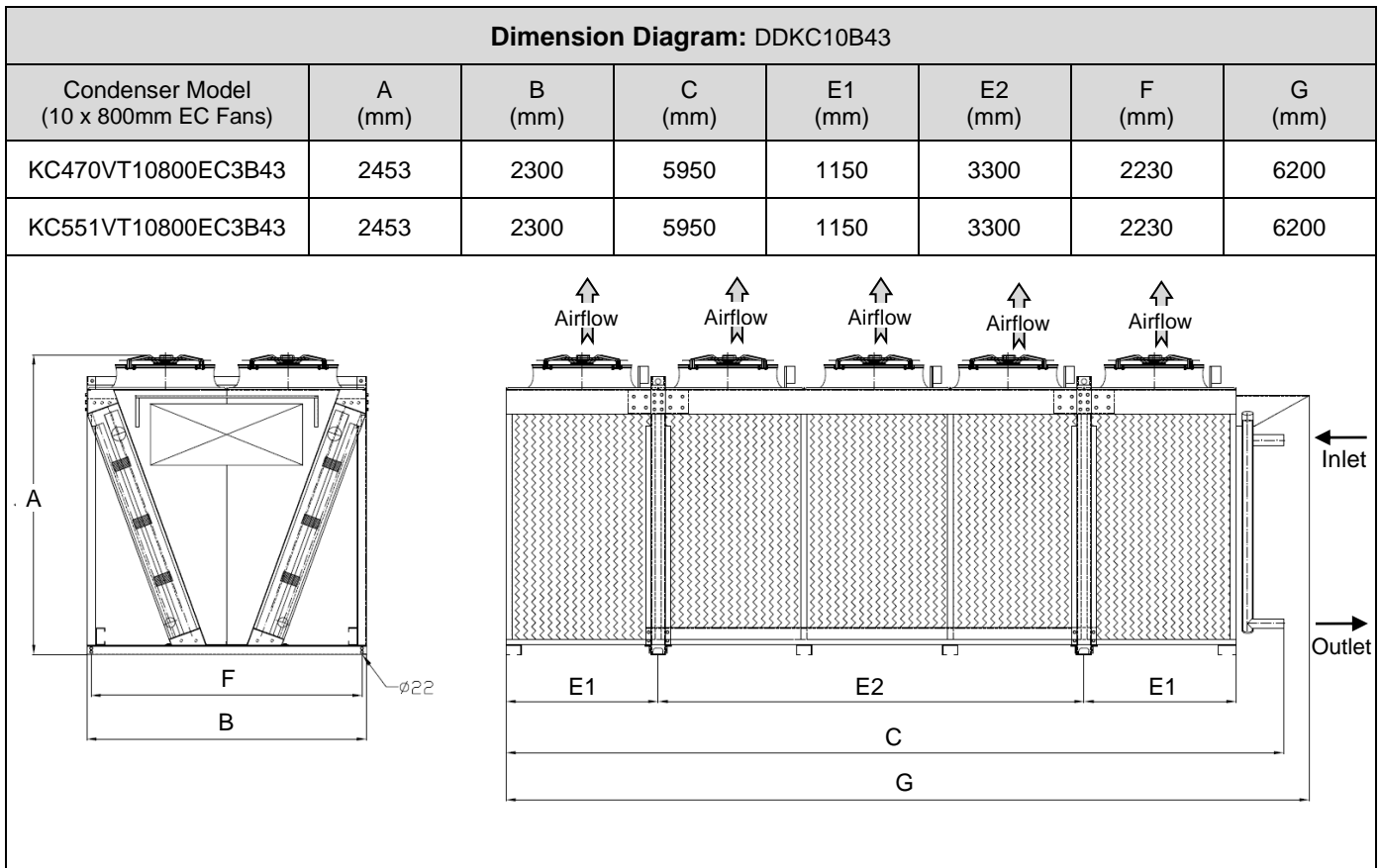
# KARYER KC V-TYPE 43bar Condensers with EC motors

## Condenser Dimensions (cont'd)



# KARYER KC V-TYPE 43bar Condensers with EC motors

## Condenser Dimensions (cont'd)



# KARYER KC V-TYPE 43bar Condensers with EC motors

## Condenser Shipping Dimensions & Weights

Shipping Dimensions & Weights				
KC Condenser Models	Shipping Package Dimensions (mm)			Shipping Weight (Kg) (**To Be Confirmed)
	Depth	Width	Height	
KC102VT2800EC3B43	**TBC	**TBC	**TBC	**TBC
KC181VT4800EC3B43	**TBC	**TBC	**TBC	**TBC
KC220VT4800EC3B43	**TBC	**TBC	**TBC	**TBC
KC282VT6800EC3B43	**TBC	**TBC	**TBC	**TBC
KC332VT6800EC3B43	**TBC	**TBC	**TBC	**TBC
KC364VT8800EC3B43	**TBC	**TBC	**TBC	**TBC
KC436VT8800EC3B43	**TBC	**TBC	**TBC	**TBC
KC470VT10800EC3B43	**TBC	**TBC	**TBC	**TBC
KC551VT10800EC3B43	**TBC	**TBC	**TBC	**TBC

## Condenser Spare Parts

KC Condenser Models	Fan Motor Qty	Fan Motors - ebm EC 800mm (400V / 3 Phase / 50Hz)
KC102VT2800EC3B43	2	W3G800KS3903
KC181VT4800EC3B43	4	W3G800KS3903
KC220VT4800EC3B43	4	W3G800KS3903
KC282VT6800EC3B43	6	W3G800KS3903
KC332VT6800EC3B43	6	W3G800KS3903
KC364VT8800EC3B43	8	W3G800KS3903
KC436VT8800EC3B43	8	W3G800KS3903
KC470VT10800EC3B43	10	W3G800KS3903
KC551VT10800EC3B43	10	W3G800KS3903